

COMMERCIAL & MIL MINIATURE TOGGLES

T3
MINIATURE
TOGGLES

FEATURING OTTO'S UNIQUE SNAP-ACTION MECHANISM

These miniature toggles are rugged, highly reliable switches offering positive detent action for safe switching operation. Featuring the unique OTTO snap-action switch mechanism in conjunction with a unique toggle actuator design, the T3 series offers snap-action contact actuation.

High contact pressure and superior wiping action of the OTTO design makes the T3 series an excellent choice for switching loads from logic level up to 5 amps.

Choose sealed one or two pole circuitry, 15/32-32 sealed or 1/4-40 unsealed bushing construction, momentary and/or maintained operation. The 15/32-32 bushing model is also available with lever lockout toggle feature or thumb button actuators.

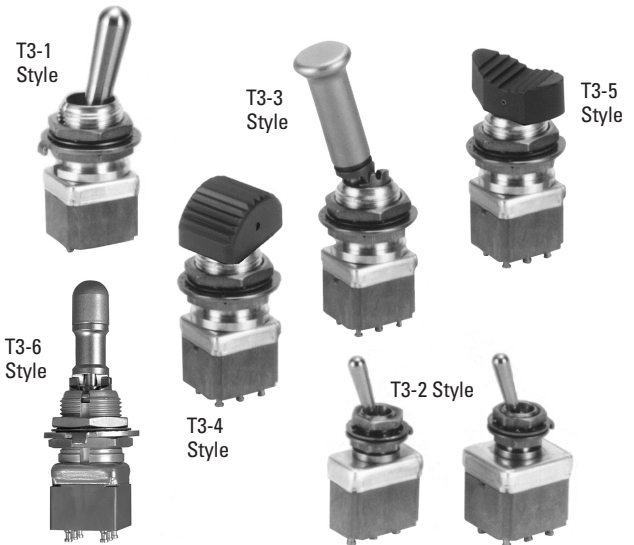
Molded-in terminals seal the contacts against moisture and solder flux wicking. The front-panel side of 15/32-32 bushing models are sealed against water and other liquids per MIL-DTL-83731.

In addition to the single turret solder terminal specified in MIL-DTL-83731, we also offer two different lengths of pins for printed circuit soldering.

Mounting hardware provided includes two hex nuts, one lockwasher and one keyway washer.

Features:

- Snap-action contact actuation
- Shorter behind panel depth
- Superior wiping action keeps contacts clean
- Positive tactile response prevents operating errors
- Weighs up to 25% less than competitive products
- More contact/terminal plating choices
- Highly reliable, simpler design, fewer parts
- Black matte finish available. Contact factory.
- RoHS/WEEE/Reach compliant



Standard Characteristics/Ratings:

ELECTRICAL RATINGS:

Load	Sea Level @ 28VDC or 115VAC, 400Hz	@ 65,000 Feet
Resistive	5A	5A
Inductive	2A	2A
Lamp	1A	N/A
DWV	1050Vrms	400Vrms

Electrical Life: 30,000 cycles

Mechanical Life: 100,000 cycles

Seal: MIL-DTL-83731 (15/32-32 bushing style only)

Operating Temp Range: -65°C to +85°C

MATERIALS:

Handle: 303 Stainless

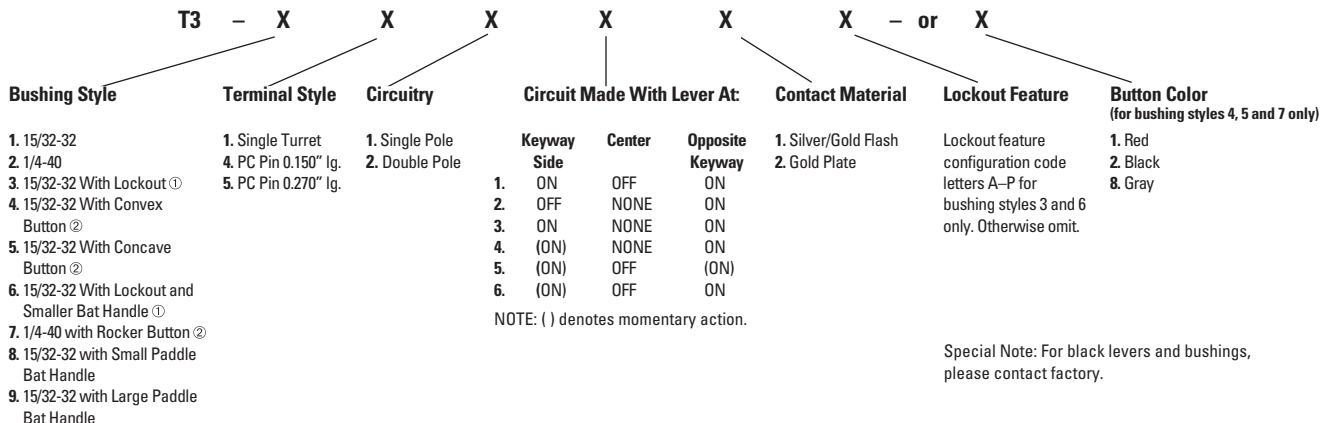
Bushing: Per MIL-DTL-83731

Body: Per MIL-DTL-83731

Terminal Hardware: None required

Mounting Hardware: Hex nuts, lockwasher and keyway washer

T3 PART NUMBER CODE



Special Note: For black levers and bushings, please contact factory.

① Add appropriate lockout feature configuration code letter (A thru P) for bushing styles 3 and 6 only.
② Button color codes (1, 2 and 8) for bushing styles 4, 5 and 7 at end of Part Number.

MEETS MIL-DTL-83731, COMMERCIAL & MILITARY GRADES

Circuit Made With Lever At				15/32" Bushing (Sealed)		1/4-40" Bushing (Unsealed)		Lever Lock-15/32" Bushing (Sealed)		
No. Poles	Keyway Side 1-2 4-5	Center Position	Opposite Keyway 2-3 5-6	MIL-SPEC Part Number	OTTO Part Number	MIL-SPEC Part Number	OTTO Part Number	MIL-SPEC Part Number	OTTO Part Number	Suffix for Lockout Feature
1	ON	OFF	ON	MS27718-21-1	T3-11111	MS27716-21-1	T3-21111	MS27720-21-1	T3-31111	All
1	OFF	None	ON	MS27718-22-1	T3-11121	MS27716-22-1	T3-21121	MS27720-22-1	T3-31121	D, F, G
1	ON	None	ON	MS27718-23-1	T3-11131	MS27716-23-1	T3-21131	MS27720-23-1	T3-31131	D, F, G
1	(ON)	None	ON	MS27718-26-1	T3-11141	MS27716-26-1	T3-21141	MS27720-26-1	T3-31141	F
1	(ON)	OFF	(ON)	MS27718-27-1	T3-11151	MS27716-27-1	T3-21151	MS27720-27-1	T3-31151	E, L, N
1	(ON)	OFF	ON	MS27718-31-1	T3-11161	MS27716-31-1	T3-21161	MS27720-31-1	T3-31161	E, F, K, L, M, N
2	ON	OFF	ON	MS27719-21-1	T3-11211	MS27717-21-1	T3-21211	MS27721-21-1	T3-31211	All
2	OFF	None	ON	MS27719-22-1	T3-11221	MS27717-22-1	T3-21221	MS27721-22-1	T3-31221	D, F, G
2	ON	None	ON	MS27719-23-1	T3-11231	MS27717-23-1	T3-21231	MS27721-23-1	T3-31231	D, F, G
2	(ON)	None	ON	MS27719-26-1	T3-11241	MS27717-26-1	T3-21241	MS27721-26-1	T3-31241	F
2	(ON)	OFF	(ON)	MS27719-27-1	T3-11251	MS27717-27-1	T3-21251	MS27721-27-1	T3-31251	E, L, N
2	(ON)	OFF	ON	MS27719-31-1	T3-11261	MS27717-31-1	T3-21261	MS27721-31-1	T3-31261	E, F, K, L, M, N

NOTE: () denotes momentary action.

