

# PUSHBUTTON SWITCHES

## Uniform Panel Appearance Switches

### Series - C100, W100, WC150

#### FEATURES SPECIFICATIONS CURRENT RATINGS

- Low level switching capability
- Moisture-proof
- Momentary action (except #7 button)
- Push-Pull action (#7 button only)
- Up to 1 million mechanical cycles
- EMI/RFI shielding available
- Tease resistant, snap action
- Six circuit arrangements available
- Various adapter, button styles and colors
- High contact pressure
- Compact size
- Corrosion resistant case and adapters

- MS27903 (WC150 series only)
- Operating temperature: -40°F to +158°F (-40°C to +70°C)
- Electrical life: 25,000 cycles at rated load
- Operating force: Approx. 2.5-5 lbs (Momentary) Approx. 1.5-2.5 lbs (Push-Pull)
- Total plunger travel: 0.085 in. (2.16mm) approx.
- W100 and WC150 exceeds seal level 2 per MIL-S-8805
- C100 series meets seal level 2 per MIL-S-8805

Part Number	28VDC			125VAC	
	Resistive Load	Inductive Load	Lamp	Resistive Load	Inductive Load <sup>①</sup>
C100 Series	10 <sup>①</sup>	5	3	10 <sup>①</sup>	5
W100 Series	10 <sup>②</sup>	5	3	10 <sup>②</sup>	5
WC1500 Series	—	2	—	—	—
W403 P6 (R) <sup>④</sup>	10	5	—	—	—

① 3 amps max. through center terminal of A800 and A11200  
 ② 3 amps max. through center terminal of W104 and W105  
 ③ p.f. = .75  
 ④ EMI/RFI shielded

#### SELECTION TABLE

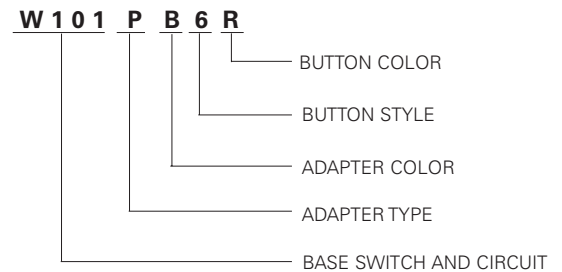
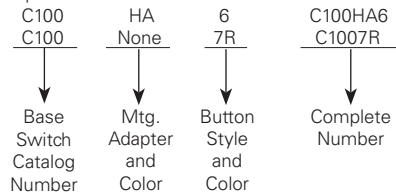
##### SERIES AND TYPE

	Circuit	Base Switch - Catalog Number				Options - Suffix Number			
		Solder Lug Terminals				Mounting Adapters		Auxiliary Buttons	
		Non-Sealed		Sealed		Type	Color	Style	Color
		Normal Force	Light Op. Force (2 +/- .5 lb.)	Normal Force	Light Op. Force (2 +/- 1 lb.)				
C100	SPNO	C100	C111	-	-	Standard: N, P, PA, W, L (with #5 button only) Optional: D, E, HA, J, M, PL, U, Y	B=Black R=Red No Alpha= Clear	2, 6, or 7 On Switch without Adapter	No Alpha= Black R=Red W=White
	SPNC	C3100	C112	-	-				
	1 P.D.T.-2 Ckt.	C200	C113	-	-				
	SPNO 3Term.	A800	C114	-	-				
	SPNC 3Term.	A11200	C115	-	-				
W100	1 P.D.T. Dbl Brk	C4100	C116	-	-	Standard: N, P, PA, W, L (with #5 button only) Optional: D, E, HA, J, M, PL, U, Y	B=Black R=Red No Alpha= Clear	2, 3, 4 or 7 On Switches with Adapter	No Alpha= Black R=Red W=White
	SPNO	-	-	W101	W111				
	SPNC	-	-	W102	W112				
	1 P.D.T.-2 Ckt.	-	-	W103	W113				
	SPNO 3Term.	-	-	W104	W114				
WC150	SPNC 3Term.	-	-	W105	W115	Standard: N, P, PA, W, L (with #5 button only) Optional: D, E, HA, J, M, PL, U, Y	B=Black R=Red No Alpha= Clear	6	No Alpha= Black R=Red W=White
	1 P.D.T. Dbl Brk	-	-	W106	W116				
	1 P.D.T.-2 Ckt.	-	-	-	-				
	2 P.D.T. 4 Ckt. May be Jumpered for 2 P.D.T.	-	-	WC150	-				

#### WHEN ORDERING SPECIFY...

- Catalog number of base switch - followed by suffix numbers of options (when required) as selected from Selection Table.

Order Example:



**STANDARD**  
 0.00 = inches  
 [0,0] = mm

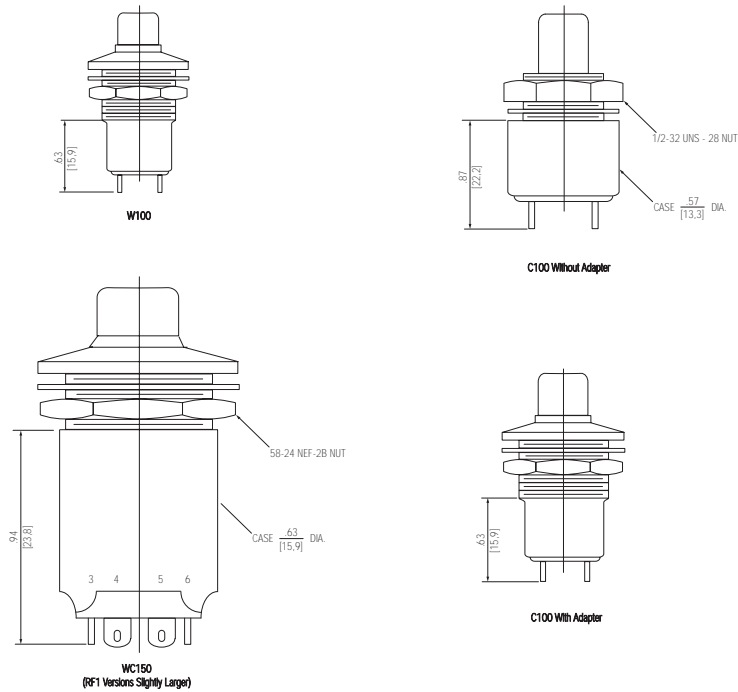
Dimensions for reference only.

# PUSHBUTTON SWITCHES

## Series - C100, W100, WC150

## Uniform Panel Appearance Switches

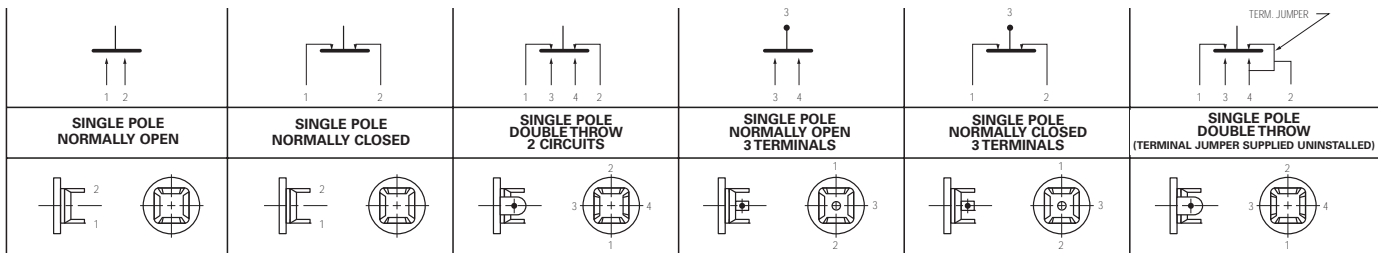
### APPROXIMATE DIMENSIONS - PUSHBUTTON SWITCHES



### APPROXIMATE DIMENSIONS - AUXILIARY BUTTONS

	Style Number 2		Style Number 3		Style Number 4		Style Number 6		Style Number 7	
	A	B	A	B	A	B	A	B	A	B
Series Number	mm.	in.	mm.	in.	mm.	in.	mm.	in.	mm.	in.
<b>Series C100</b>										
Without Adapter	7.9	.31	7.9	.31	-	-	7.9	.31	4.8	.19
With Adapter	9.5	.37	7.9	.31	9.5	.37	4.8	.19	7.9	.31
<b>Series W100 &amp; WC150</b>										
With Adapter	9.5	.37	7.9	.31	9.5	.37	4.8	.19	9.5	.37
Without Adapter		.37		.34		.37		.37		.38

### SCHEMATIC DIAGRAMS



#### STANDARD

0.00 = inches

[0,0] = mm

Dimensions for reference only.

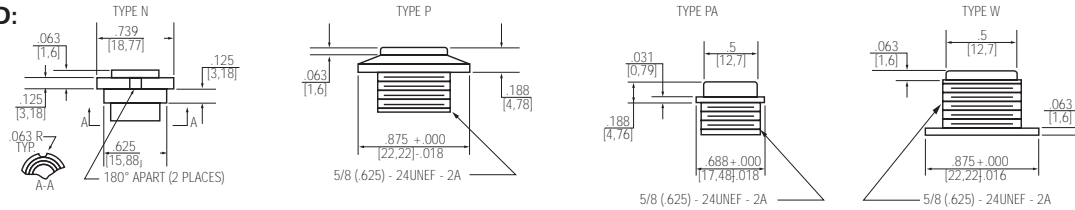
# PUSHBUTTON SWITCHES

## Uniform Panel Appearance Switches

### Series - C100, W100, WC150

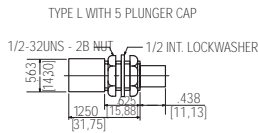
#### APPROXIMATE DIMENSIONS - MOUNTING ADAPTERS

##### STANDARD:

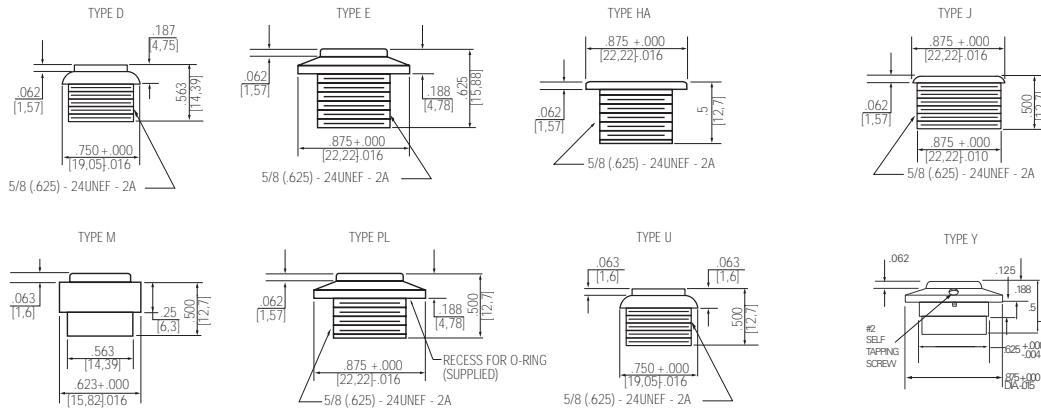


##### PLUNGER CAP COLORS:

- CHROME: NO LETTER
- RED: R
- BLACK: B
- TOTAL PLGR TRAVEL: .438 APPROX.
- OVERTRAVEL: .313 APPROX.



##### OPTIONAL:

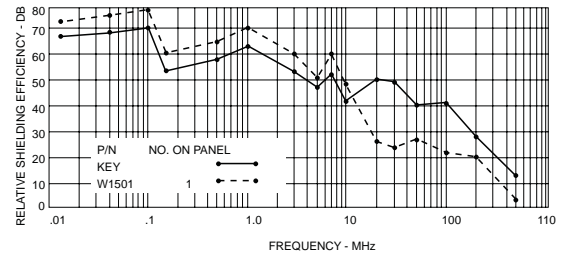
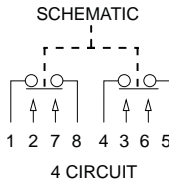
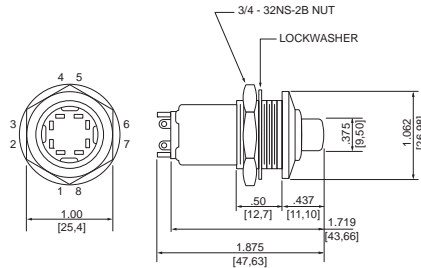


NOTE: INTERNAL THREADS 1/2 - 32 UNS-2B

#### EMI/RFI SHIELDED



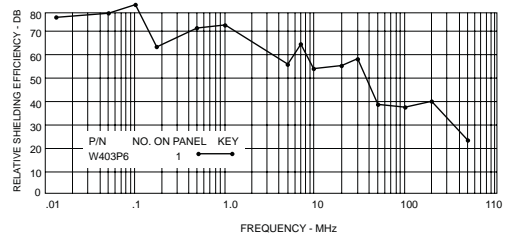
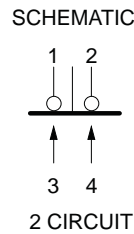
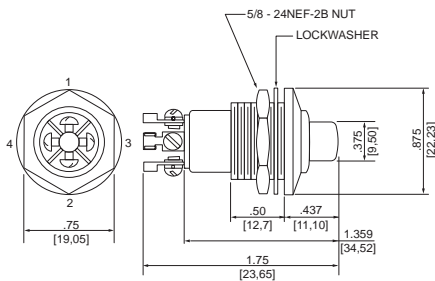
W1501



Graphic Illustration defines relative shielding efficiency of RFI shielded component/ components over unshielded device.



W403P6



Graphic Illustration defines relative shielding efficiency of RFI shielded component/ components over unshielded device.

##### STANDARD

0.00 = inches

[0,0] = mm

Dimensions for reference only.