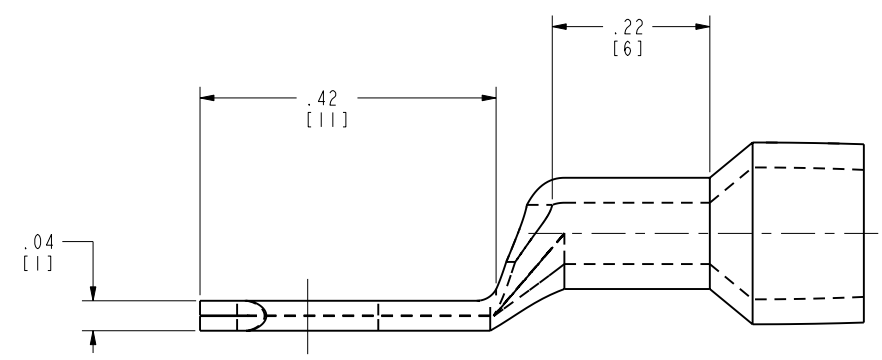
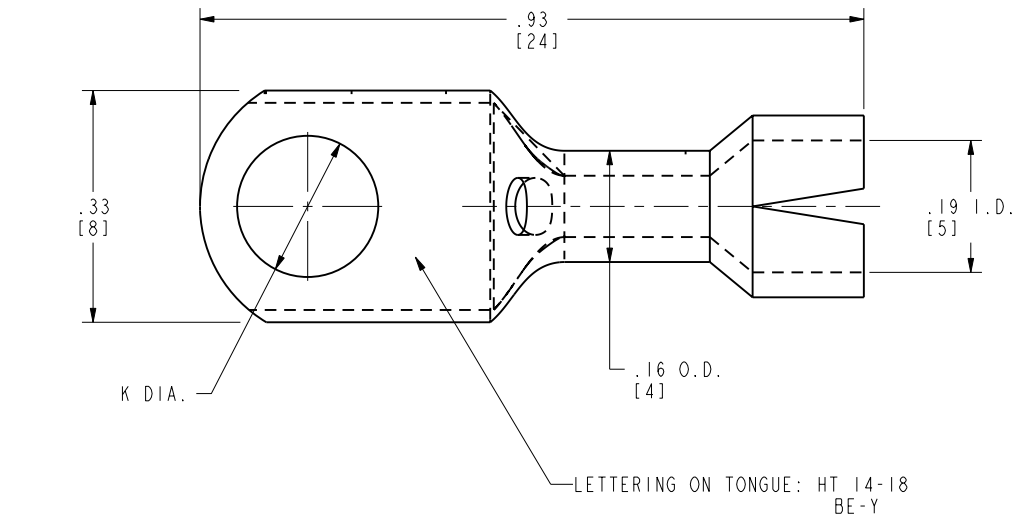


DRAWING NO.  
10068969

CAT. NO.	ITEM NO.	K DIA. ±.005
YAVI4G82NK	603375	.172 [4]
YAVI4G88NK	10068967	.198 [5]

REV	DATE	DESCRIPTION	ECO	BY	C'H'K.
C	4/20/2010 8:00:00 AM	ADDED CAT. # YAVI4G82NK PART TO DRAWING	20856	BT	MA



NOTES:

1. MATERIAL: COPPER TUBE.
2. FINISH: NICKEL PLATED.
3. CONDUCTOR: #14-#18 PER MIL-C-25038.
4. INSTALLATION TOOL: M8ND (NI2HET-1) MR8-41.
5. DIMENSIONS IN [ ] BRACKETS ARE IN MILLIMETERS, ROUNDED OFF TO THE NEAREST MILLIMETER, UNLESS OTHERWISE NOTED. AND ARE FOR REFERENCE ONLY.
6. MAXIMUM CONTINUOUS OPERATING TEMPERATURE IS 650°F.

TO ORDER BURNDY® PRODUCTS CALL		HYLUG™	
UNITED STATES		ITEM NO: SEE TABLE	
1-800-346-4175 (LONDONDERRY, NH)		CAT. NO: SEE TABLE	
CANADA:		DRAWN BY: P LAPONTUS 5/16/06	
1-800-361-6975 (QUEBEC)		CHECKER: M RZASA 5/16/06	
1-800-387-6487 (ALL OTHER PROVINCES)		DSN APPVL: M RZASA 5/5/06	
FOR PRODUCT INFO: <a href="http://www.burndy.com">http://www.burndy.com</a>		MFG APPVL: L LEAVITT 5/5/06	
		QA APPVL: J BRODEUR 5/9/06	
		MKT APPVL: J SYLVIA 5/5/06	
		PROD FAM: SMALL COMPRESSION	DRAWING NO
		PROJECT #: --	10068969
		DOCUMENT TYPE: Sales	SHEET 1 OF 1
		REL LEVEL: Released	
		SCALE: 1:1	

REV: PE0200