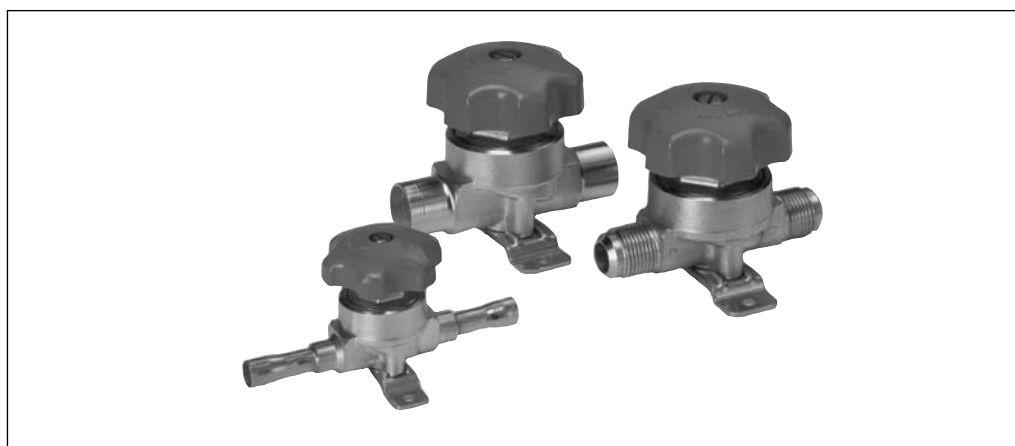


**Refrigerant Valve
Shut-off valves,
type BM**

Introduction



The BM is a manual shut-off valve designed for installation in the liquid, suction and hot gas lines of refrigeration plant.

Features

- Can be used for all fluorinated refrigerants
- Fitted with three stainless steel diaphragms that prevent leakage throughout the operating life of the valve.
- Valve plate of polyamide nylon to give complete shut-off with minimum torque.
- Valve cover with counter-seat to prevent the ingress of moisture.

Technical data

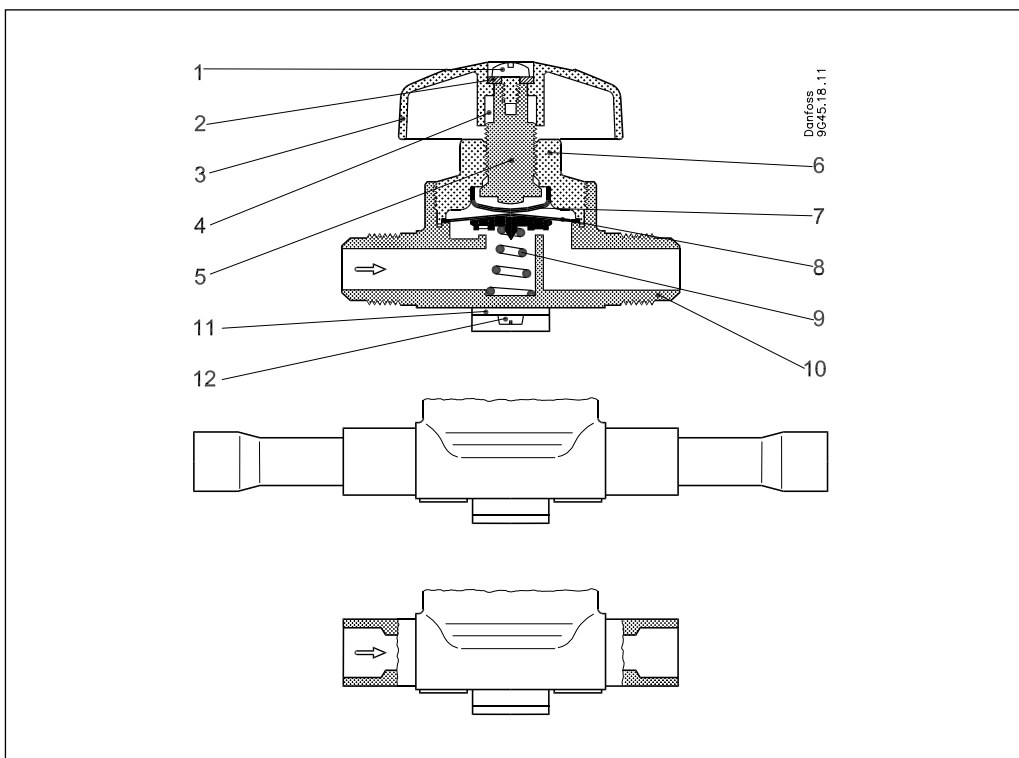
Temperature range	-55 → +100°C
Working range	$\Delta p = -1 \rightarrow 21$ bar
Max. working range	PS = 28 bar
Max. test pressure	$p' = 30.8$ bar
Approvals	

Ordering

BM with hand wheel

Version	Type	Connection	Code no.			k_v -value ¹⁾ m ³ /h
			 Flare	 ODF solder	 ODF extended ends	
Straightway	BML 6	1/4 in.	009G0101	009G0102	009G0202	0.3
		6 mm		009G0108	009G0208	
	BML 10	3/8 in.	009G0127	009G0122	009G0222	0.84
		10 mm		009G0128	009G0228	
	BML 12	1/2 in.	009G0141	009G0142	009G0242	1.5
		12 mm		009G0148	009G0248	
	BML 15	5/8 in.	009G0168	009G0162	009G0262	2.2
		16 mm		009G0170		
	BML 18	3/4 in.	009G4004	009G0181	009G4009	2.9
		18 mm		009G0184		
BML 22	7/8 in.		009G0191	009G0291	2.9	
	22 mm		009G0194			
Three-way	BMT 6	1/4 in.	009G0105			0.3

Design / Function



- 1. Screw
- 2. Washer
- 3. Handwheel
- 4. Driver
- 5. Spindle
- 6. Cover
- 7. Thrust pad
- 8. Diaphragm with valve plate
- 9. Spring
- 10. Valve body
- 11. Bracket
- 12. Screw

The shut-off valves are fitted with three diaphragms all of stainless steel which ensure long operating life.

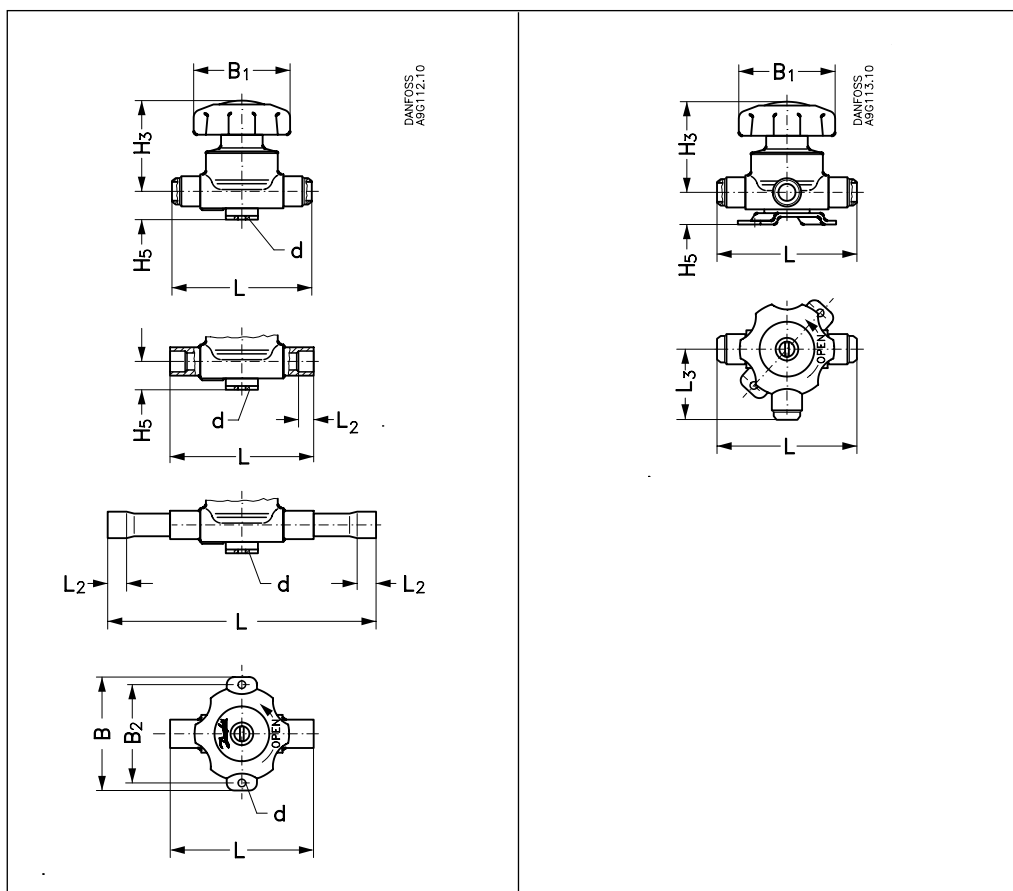
BM valves are available in straightway, and three-way versions. The three-way version side connection can be shut off, but the end connections will always remain open. The BM can be fitted with a mounting bracket. Valve body, cover and spindle are made of brass, the handwheel (3) of coloured plastic. BM valves have a triple diaphragm seal (8) which is designed in such a way that the tension in the diaphragms lift the valve plate from the seat when the valve is opened.

The valve plate itself is made of nylon and gives complete shut-off when the handwheel is lightly tightened.

The thrust pad (7) prevents direct contact between spindle (5) and diaphragms (8). This also contributes to increased valve life. The spring (9) is able to hold the valve open at operating pressures down to -1 bar (pe).

The counter-seat in the cover (6) prevents the ingress of moisture in fully open position. When the valve is opened, the pressure on the outlet side must not exceed the pressure on the inlet side by more than 1 bar.

Dimensions and weights



Version	Type	H ₃ mm	H ₅ mm	L mm	L ₂ mm	L ₃ mm	B mm	B ₁ mm	B ₂ mm	Ø d mm	Weight kg
Flare	BM 6	46	19	77			62	50	50	5	0.3
	BM 10	49	16	85			62	50	50	5	0.4
	BM 12	56	18	102			70	60	56	6	0.5
	BM 15	66	20	118			83	71	69	6	0.7
	BMT 6	46	19	77		32.5	62	50	50	5	0.3
ODF solder	BM 6	46	17	65	7		62	50	50	5	0.3
	BM 10	49	16	72	9		62	50	50	5	0.4
	BM 12	56	18	87	10		70	60	56	6	0.5
	BM 15	66	20	106	12		83	71	69	6	0.7
	BM 18-22	67	22	103	17		83	71	69	6	0.8
ODF solder extended ends	BM 6	46	19	117	7		62	50	50	5	0.3
	BM 10	49	16	117	9		62	50	50	5	0.4
	BM 12	56	18	127	10		70	60	56	6	0.5
	BM 15	66	20	165	12		83	71	69	6	0.7
	BM 18-22	67	22	181	17		83	71	69	6	0.8

Danfoss can accept no responsibility for possible errors in catalogues, brochures and other printed material. Danfoss reserves the right to alter its products without notice. This also applies to products already on order provided that such alterations can be made without consequential changes being necessary in specifications already agreed. All trademarks in this material are property of the respective companies. Danfoss and the Danfoss logotype are trademarks of Danfoss A/S. All rights reserved.