

# SP-1078A

Made in  
USA



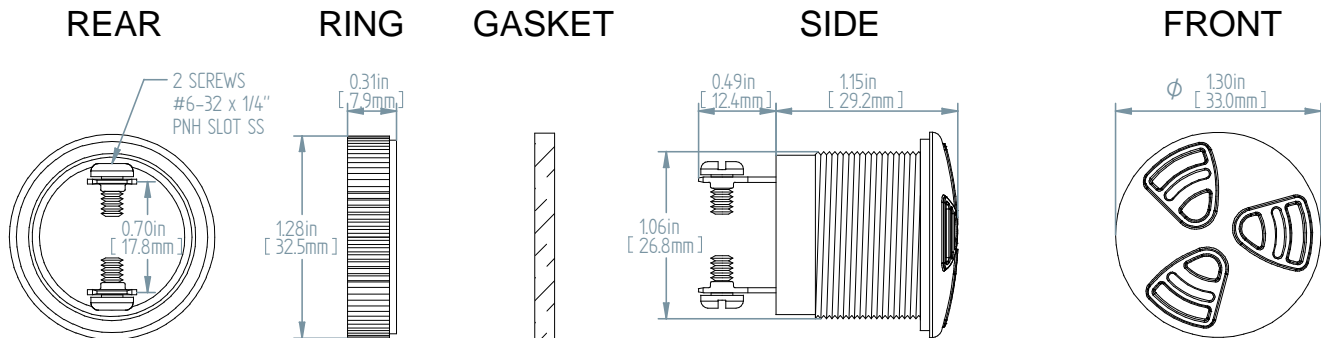
- Patent-Pending Revolutionary Turbo Design
- Tamper Resistant Front-Mounting Case with Threaded Attachment Ring
- Corrosion Resistant Stainless Steel Diaphragm
- Reliable Piezoelectric Technology

The SP-1078A is a custom panel mounted alarm for operating voltages of 9-48VDC with a nominal voltage of 13VDC. The sound pressure level of the SP-1078A is set per customer specification.

## SPECIFICATIONS

<b>Operating Mode:</b>	Medium Loud Continuous Tone
<b>Operating Voltage:</b>	9-48 Vdc
<b>Nominal Operating Voltage:</b>	13 Vdc
<b>Operating Frequency:</b>	2900±250 Hz.
<b>Typical Operating Current:</b>	5mA at 13 Vdc
<b>Typical Sound Pressure:</b>	80±5 dB(A), at 13 Vdc, at 24 inches (61 cm), at 25°C
<b>Termination:</b>	0.25 (6.3) Wide Quick Connect Blades with 0.25 (6.3) Long 6x32 Stainless Steel Screws
<b>Termination Strength:</b>	Pull test with a maximum of 22 pounds (10 kg) load
<b>Operating Temperature:</b>	-40°C to +65°C.
<b>Storage Temperature:</b>	-40°C to +85°C.
<b>Surge Voltage:</b>	20% over maximum rated voltage for less than 5 minutes.
<b>Reverse Voltage Protection:</b>	To the maximum operating voltage.
<b>Part Recognized By:</b>	Underwriters Laboratory
<b>Construction Materials:</b>	Case- Plastic "NORYL® N-190", Flame Retardant UL 94V-0, Black Internal Circuit- Audio-oscillator and piezoelectric driver Potting- 2 parts epoxy resin or silicone, black Diaphragm- Stainless Steel 304 NEMA 4X Gasket - 0.125" Thick, 60 Durometer Neoprene
<b>Environmental Durability:</b>	ASTM B117 Certified- Withstands exposure to salt spray for 300 hours IP 68 Certified- Withstands water submergence and dust exposure Humidity- 95% relative humidity at +40°C continuously for 100 hours. Vibration- Withstands vibration between 0 and 55 Hz. on all axes.
<b>Life Expectancy:</b>	10 years under normal operating conditions.
<b>Warranty:</b>	For a period of two years from the date of manufacture under normal operating conditions.

## DIMENSIONS



TOLERANCES ARE ±0.03in [±0.76mm] UNLESS OTHERWISE SPECIFIED

**Floyd Bell Inc**  
An ISO 9001:2000 Registered Company

720 Dearborn Park Lane • Columbus, OH 43085  
Tel: 888-FLOYD-BELL • Fax: 614/291-0823  
www.floydbell.com

Revision: 1.12