

4

3

2

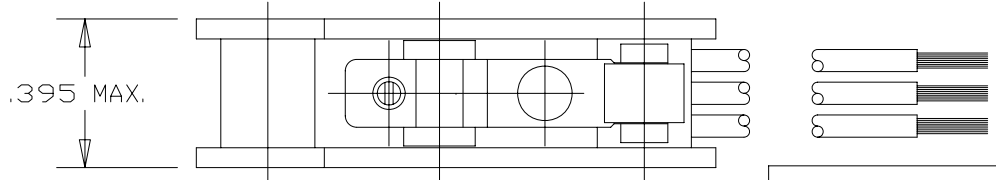
1

ZONE	REV.	REVISION DESCRIPTION	ECN NO.	DATE
	M	REMOVED "MAX FORCE ALLOWED ON ACTUATOR" CHARACTERISTIC NOTE; PAF	ECN0034111	14-SEP-2007

Property of
Sensata Technologies

CHARACTERISTICS

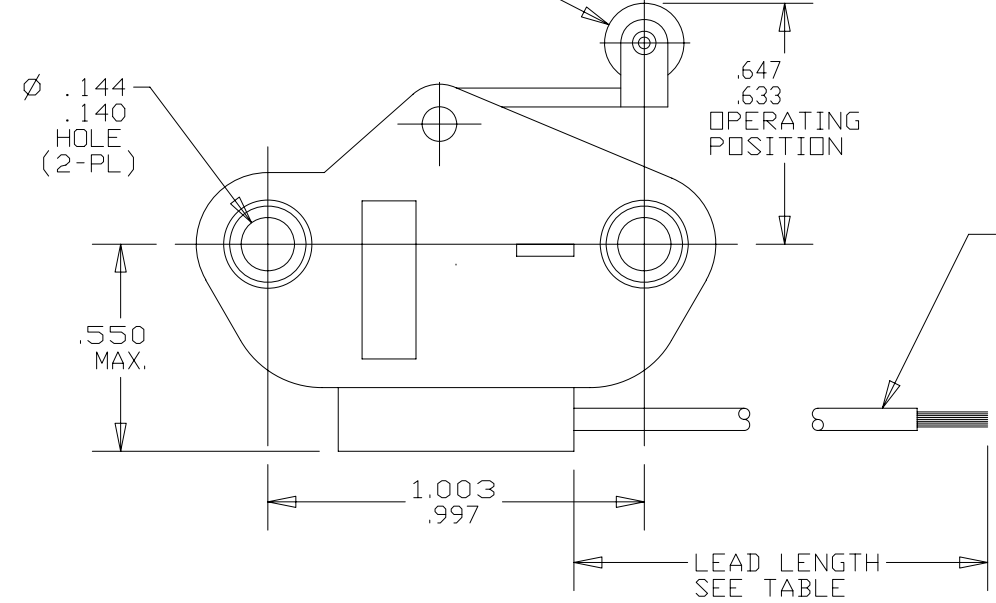
CONTACT ARRANGEMENT -----	S.P.D.T.
ACTUATION FORCE -----	24 OZ. MAX.
RELEASE FORCE -----	4 OZ. MIN.
PRETRAVEL -----	.040 MAX.
MOVEMENT DIFFERENTIAL -----	.030 MAX.
OVERTRAVEL -----	.125 MIN.
LIFE AT RATED LOAD -----	25,000 CYCLES
AMBIENT TEMPERATURE RANGE -----	-85°F. TO +275°F.
DIELECTRIC STRENGTH ACROSS:	
OPEN TERMINALS -----	800 VRMS
TERMINALS TO CASE -----	1000 VRMS
VOLTAGE DROP AT 1 AMP -----	.040 PLUS .021 PER FOOT OF LEAD
SEAL -----	CLASS 5 (HERMETIC) PER MIL-S-8805
MAX. ALLOWED LEAKAGE -----	1 X 10 ⁻⁸ STD CC HE/SEC.
BACKFILL -----	DRY NITROGEN



PART NO. EXAMPLE				
10AT	313	-0	3	-10
BASIC SWITCH	ENVELOPE CONFIGURATION	0=SPDT 1=SPST-N.C. 2=SPST-N.O.	3=LEADS AT RIGHT ANGLE TO AXIS OF SWITCH.	LEAD LENGTH 1= 6" 2=12" 3=18" 4=24" 5=30" 6=36" 7=42" 8=48" 9=60" 10=72" 11=110"

CENTER LINE OF ROLLER TO BE IN LINE WITH CENTER LINE OF MOUNTING HOLE WITHIN ±.030

∅ .213 x .158 WIDE ROLLER
∅ .209 x .154



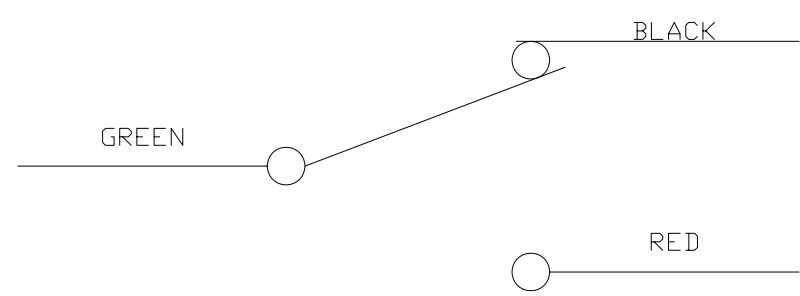
NOTES:
1. THIS SWITCH CAN PERFORM WITHIN THE PARAMETERS OF 28VDC SYSTEMS AS DESCRIBED BY MIL-STD-704 FOR LAMP LOADS NOT TO EXCEED 2.0 AMPS.

CURRENT CAPACITY

SEA LEVEL AND 70,000 FT. ALTITUDE		
LOAD	28 VOLTS D.C.	#40 VOLTS D.C.
RESISTIVE	4 AMP	1.2 AMPS (1000 CYCLES)
INDUCTIVE	1 AMP	
LAMP	2 AMP	

SHOCK RESISTANCE WITHOUT CONTACT CHATTER ----	200 G'S
VIBRATION RESISTANCE (10-3000 HZ.) WITHOUT CONTACT CHATTER ----	65 G'S
VIBRATION -----	.4 OZ. PLUS .1 OZ. PER LEAD PER FOOT OF WIRE

CIRCUIT DIAGRAM



FOR REFERENCE ONLY, CHECK LATEST REVISION BEFORE USE. PARTS MADE TO THIS PRINT MUST CONFORM TO E9898 REV. E				529 PLEASANT STREET P.O. BOX 2964 ATTLEBORO, MA 02703	
DRAWN J. PACHECO DATE 10-APR-1973 ENGINEER E. WHIPPLE DATE 13-APR-1973 APPROVED DATE APPROVED DATE	SENSATA TECHNOLOGIES PROPRIETARY AND CONFIDENTIAL. NEITHER THIS PRINT NOR THE INFORMATION CONTAINED HEREON IS TO BE USED AGAINST THE INTERESTS OF SENSATA TECHNOLOGIES OR AGAINST THE INTERESTS OF ANY OF ITS AFFILIATED COMPANIES OR WHOLLY OWNED SUBSIDIARIES. UNLESS OTHERWISE SPECIFIED DIMENSIONS ARE IN INCHES TOLERANCES DECIMALS ANGLES		TITLE ROLLER LEVER SWITCH ENVELOPE DRAWING		REV. M
DO NOT SCALE DRAWING		THIRD ANGLE PROJECTION		SIZE B	DWG NO. 10AT313
SCALE		AUTOCAD		SHEET 1 OF 1	

4

3

2

1

DEVICE: 10AT

PROJECT: 1005