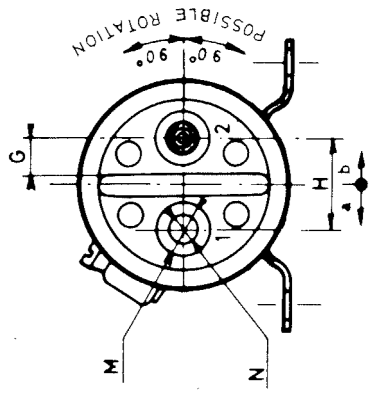
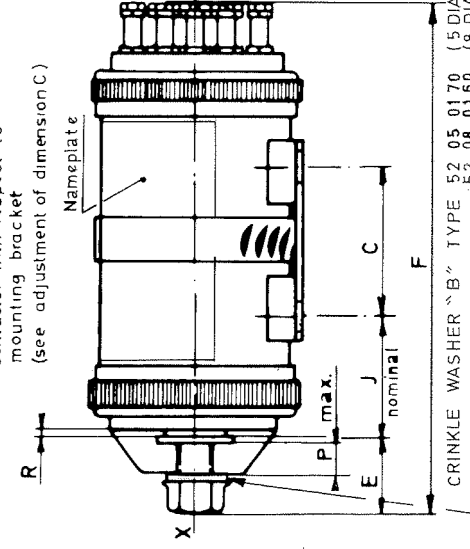
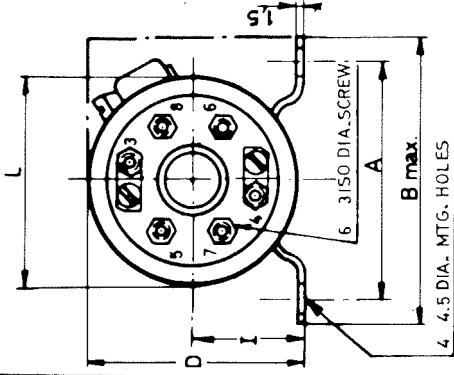


APPROVED ON 25-05-1979

FE 15_90_59_00

BWB F82-79 (Germany)
BNA/é

LETTER N° _____
Lengthwise displacement of
contactor with respect to
mounting bracket
(see adjustment of dimension C)



Sideways displacement possible
with respect to mounting screws:
1 mm in either direction a or b

CRINKLE WASHER "B" TYPE 52 05 01 70 (5 DIA)
52 08 01 60 (8 DIA)
52 10 01 70 (10 DIA)

MAIN DIMENSIONS IN MM

CIRCUIT DIAGRAM (see page 2)	RATINGS AS PER TEMP. RANGE		WEIGHT g _{NOM} ± 2%	MAIN DIMENSIONS IN MM																
	-55°+125°C	-55°+80°C		A	B	C	D	E	F	G	H	I	J	L	M	N	P	R		
A	75 AMPS	100 AMPS	230	38	48	30	35.75	10	80	±0.7	16.5	18.5	15	13	17	34.5	8.5	5	2.8	10.7
A	100 AMPS	125 AMPS	283	55	65	35	44.75	10	82.5	18	20	18	14.5	21.5	38.5	9.2	5	3	1	
B	150 AMPS	200 AMPS	370	60	70	40	48	17	130	6.75	18	24.5	25.5	15.5	35.5	40.5	9.2	5	3	1
B	250 AMPS	320 AMPS	620	60	70	40	48	17	130	6.25	21.5	25	33.5	23.5	43.5	4.6	13	8	6	1
B	400 AMPS	500 AMPS	900	60	70	40	60.5	19.5	138	10.5	27	31	37.5	22.5	52.5	5.9	16	10	7	1

RECOMMENDED MOUNTING TORQUE (N.m)	
3 DIA.	> 0.49 < 0.68
5 DIA.	> 2.64 < 2.94
8 DIA.	> 6.86 < 9.12
10 DIA.	> 11.13 < 15.20

GENERAL CHARACTERISTICS

- **DEFINITION** : Electromechanical device designed to close or open a d.c. electrical circuit.
The main moving contacts interrupt the circuit through them when in their normal position (Normally-open).
- **CONSTRUCTION** : The device is enclosed in a cylindrical metal housing which can be adjusted and oriented with respect to its mounting bracket.
At each end, insulating plates carry the main terminals for one part, and the auxiliary and coil terminals for another.
The magnet coil operating the main moving contacts drives simultaneously an auxiliary change-over switch.
- **ENVIRONMENTAL CHARACTERISTICS** :
maximum altitude : 20.000 m. (60,000 ft)
55° + 125° C. or - 55° + 80° C. (as per rating)
+ 130° C.
Acceleration : 12 g. along all axes.
Vibration : AIR 7303 Specs, method IV, procedure (a) curve 1 A.
Shock : 30 g. (1 ms).

REVISIONS									
0	12	13	14	15	16	17	18	19	20
21	22								

MANUFACTURED BY
SAFRAN ELECTRICAL AND POWER
7, rue des Longs Quartiers - 93108 MONTREUIL Cedex

ELECTRICAL CONNECTIONS : See table below

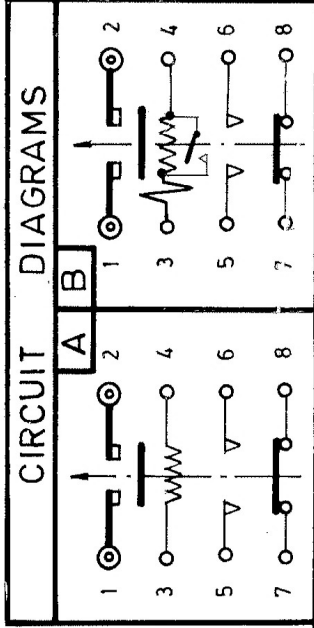
AUX. TERMINALS		MAIN TERMINALS							
CROSS-SECTIONAL AREA OF WIRES		CROSS-SECTIONAL AREA OF WIRES							
0.38 to 1.34 Sq mm	1.34 to 1.91 Sq mm	1.91 to 3.11 Sq mm	3.11 to 5.3 Sq mm	5.3 to 8.9 Sq mm	8.9 to 13.4 Sq mm	13.4 to 21.8 Sq mm	21.8 to 34.4 Sq mm	34.4 to 52.7 Sq mm	52.7 to 75.5 Sq mm
31 878	32 439	75	COPPER	320 552	320 574	322 128	322 050		
		100							
		125							
		150	ALUMINIUM			322 592	322 612	322 624	
		200							
31 880	32 441	250	COPPER	320 572	320 575	322 003	322 006		
		320	ALUMINIUM			322 594	322 614	322 631	
320 553	324 159	400	COPPER		130 207	160 045	160 043	160 041	160 039
		500	ALUMINIUM						

— ELECTRICAL CHARACTERISTICS —

RATINGS AS PER TEMPERATURE RANGE	CONTACT CHARACTERISTICS				COIL CHARACTERISTICS							
	MAIN CONTACTS		AUX. SWITCH		32 V. MAX. D.C. POWER SUPPLY		OPERATING TIMES AT 28.5 V.					
	ENDURANCE AT RATED CURRENT L/R 5/1,000	VOLTAGE DROP AT RATED CURRENT (2)	115V. A.C. RUPTURING CAPACITY (10 times)	400/1000 C/S CURRENT	28.5 V. D.C. RES. IND. AMP.	115 V. A.C. 400C/S RES. IND. AMP.	PICK-UP VOLTAGE AT 12.5° (1)	DROP-OUT VOLTAGE AT 20°C	PULL-IN CURRENT AT 28.5 V (25 ms)	COIL CURRENT AT 28.5 V and 20°C	CLOSING	OPENING
75	750	≤ 110	5	3	3	3	≤ 60	< 21	2 < V _d < 8	Not applicable	≤ 25	≤ 15
100	1000									5		
150	1500									5		
250	2200									6.6		
400	3500											

- NOTE : (1) Temperature conditions apply after devices have been operated for one hour with all contacts supplied under rated current conditions.
 (2) Correct functioning of main contacts can only be guaranteed if the controlled current is 2 amps. at least.

- OVERLOAD CAPACITY : 1°) On make and break, to AIR 8456B Specs.
- INSULATING RESISTANCE, at 20° C. : above 100MΩ
- DIELECTRIC STRENGTH, at sea level : 500 V D.C.
- DIMENSIONAL STANDARD :
- ACCEPTANCE TEST SPECIFICATIONS : AIR 9456
- QUALIFICATION SPECIFICATIONS : AIR 8456B.
- SERVICE DUTY : Continuous



ORDER GUIDE

RATING	AMPS.	VOLTAGE	ORIGINAL VERSION		IDENTICAL FOR BOTH VERSIONS		NEW VERSION		Amdt
			CONTACTOR MOUNTING BASE (Marking on nameplate)	NAMEPLATE LANGUAGE	CONTACTOR WITHOUT MOUNTING BASE NORCLAMP (Marking on nameplate)	CONTACTOR MOUNTING BASE	FLEXINOX MOUNTING CLAMP	CONTACTOR WITH MOUNTING BASE (Marking on nameplate)	
75	HT	28.5	101CC01A	101CC01A02	MINOX 0	101CC01AN	101CC01AY1	MH	G
		6	101CC01B						
	12	101CC01C	024X036	101CC01CN	101CC01CY1				
	48	101CC01D		101CC01DN	101CC01DY1				
100	HT	28.5	111CC01A	111CC01A02	MINOX 0A	111CC01AN	111CC01AY1	MH	F
		6	111CC01B						
	12	111CC01C		111CC01CN	111CC01CY1				
	48	111CC01D		111CC01DN	111CC01DY1				
125	LT	28.5	121CC01A	121CC01A02	0 25X045	121CC01AN	121CC01AY1	MH	F
		6	121CC01B						
	12	121CC01C		121CC01CN	121CC01CY1				
	48	121CC01D		121CC01DN	121CC01DY1				
150	HT	28.5	131CC01A	131CC01A02	FLEX MH	131CC01AN	131CC01AY1	MH	F
		6	131CC01B						
	12	131CC01C		131CC01CN	131CC01CY1				
	48	131CC01D		131CC01DN	131CC01DY1				
200	LT	28.5	131CC01A	131CC01A02	0 32X052	131CC01AN	131CC01AY1	032_052	F
		6	131CC01B						
	12	131CC01C		131CC01CN	131CC01CY1				
	48	131CC01D		131CC01DN	131CC01DY1				
250	HT	28.5	141CC01A	141CC01A02	FLEX MH	141CC01AN	141CC01AY1	MH	F
		6	141CC01B						
	12	141CC01C		141CC01CN	141CC01CY1				
	48	141CC01D		141CC01DN	141CC01DY1				
320	LT	28.5	141CC01A	141CC01A02	0 47 067	141CC01AN	141CC01AY1	MH	F
		6	141CC01B						
	12	141CC01C		141CC01CN	141CC01CY1				
	48	141CC01D		141CC01DN	141CC01DY1				
400	HT	28.5	141CC01A	141CC01A02	2540.105	141CC01AN	141CC01AY1	MH	F
		6	141CC01B						
	12	141CC01C		141CC01CN	141CC01CY1				
	48	141CC01D		141CC01DN	141CC01DY1				
500	LT	28.5	141CC01A	141CC01A02	2540.105	141CC01AN	141CC01AY1	MH	F
		6	141CC01B						
	12	141CC01C		141CC01CN	141CC01CY1				
	48	141CC01D		141CC01DN	141CC01DY1				

SPECIALTY REQUIREMENTS

CONTACTORS TO BE CONTROLLED BE CUSTOMER DRAWINGS OR HAVING REQUIREMENTS NOT COVERED IN THESE DATA SHEETS WILL BE ASSIGNED SPECIAL CODE NUMBERS UPON REQUEST TO THE MANUFACTURER
 ORDERING DIRECTIONS: ADD DESIRED SPECIALTY CODE TO BASIC PART NUMBER AS FOLLOWS: 101CC01 A [10]
 * VALID FOR THE 500-AMP RATED CONTACTOR ONLY.

CODE

REQUIREMENTS

10	RUN-IN TEST: 500 cycles including monitoring of auxiliary contact operation on each-cycle
* 11	BREAKING CAPACITY: 800Amps; 10times MAKING CAPACITY : 700 Amps; 20 seconds followed by 150 Amps continuously 300 contact-forming operations at 500Amps; 24 vdc before delivery. Millivolt drop ≤ 80; at 700Amps