

© -

REVISIONS

P	LTR	DESCRIPTION	DATE	DWN	APVD
	A	NEW DRAWING	04JUL2020	GK	IR

NOTES:

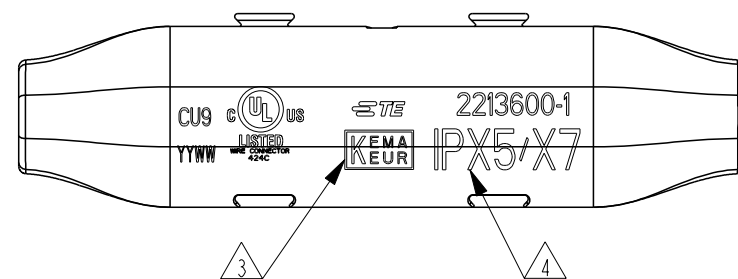
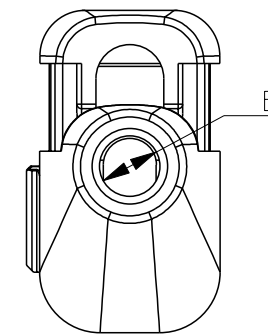
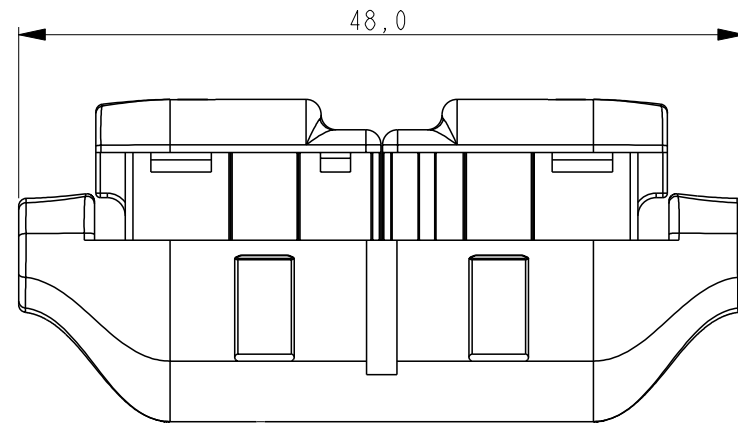
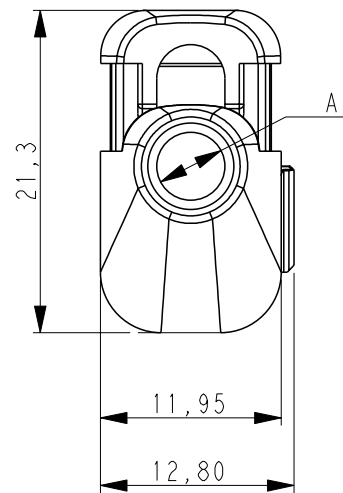
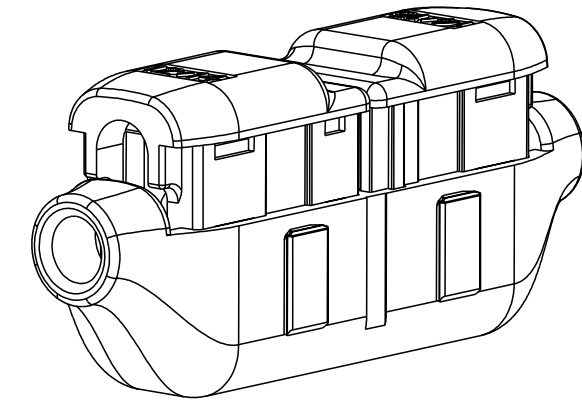
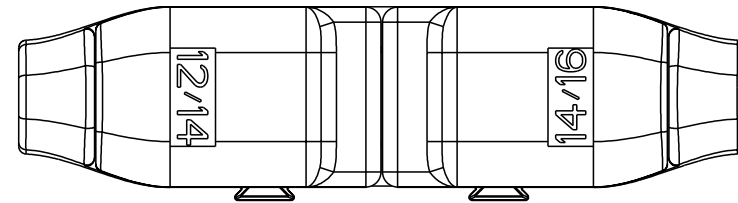
- 1SET212002R0000 AS SHOWN.
- MATERIALS:

CONTACT: PHOSPHOR BRONZE, TIN PLATED
 HOUSING: PC NOT GLASS FILLED;
 COLOUR-CLEAR
 BUTTONS: PC NOT GLASS FILLED;
 COLOUR-YELLOW AND BLUE

- 3 LASER MARKING:
- KEMA
 - UL
 - TE LOGO
 - TE PART NUMBER
 - DATE CODE

4 LASER MARKING: IP x5/x7

DIMENSIONS BEFORE APPLICATION



SEALED/4	A=4.5 B=4.0	12/14 TO 14/16	1SET212002R0000	2213600-1
SEALING	WIRE ENTRY	WIRE SIZE	ENTRELEC PN	TE PN

THIS DRAWING IS A CONTROLLED DOCUMENT.
 DIMENSIONING AND TOLERANCING PER ASME Y14.5M-2009.

DIMENSIONS:	TOLERANCES UNLESS OTHERWISE SPECIFIED:
mm	
	0 PLC ±-
	1 PLC ±0,2
	2 PLC ±0,2
	3 PLC ±-
	4 PLC ±-
	ANGLES ±-
MATERIAL	FINISH
-	-
-	-

DWN	04JUL2020
CHK	04JUL2020
APVD	04JUL2020
PRODUCT SPEC	108-133061
APPLICATION SPEC	114-133061
WEIGHT	-
CUSTOMER DRAWING	

ENTRELEC
Electrical Solutions

NAME: ISW40-25-L

SIZE	CAGE CODE	DRAWING NO	RESTRICTED TO
A3	00779	1SET212002R0000	-

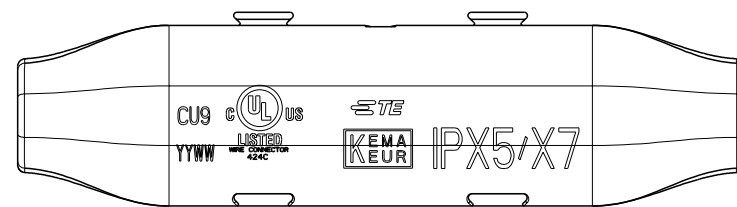
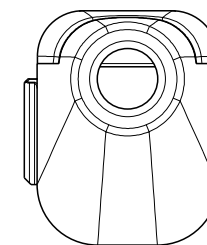
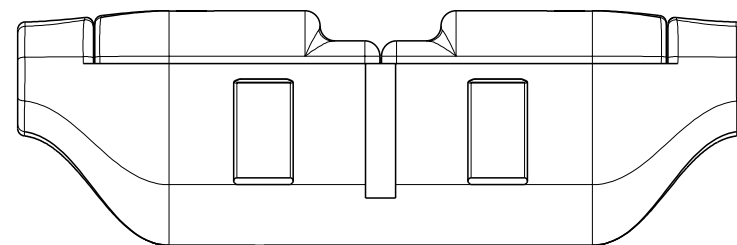
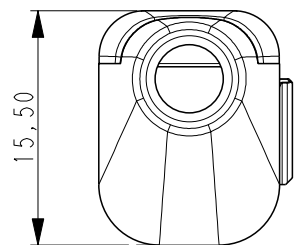
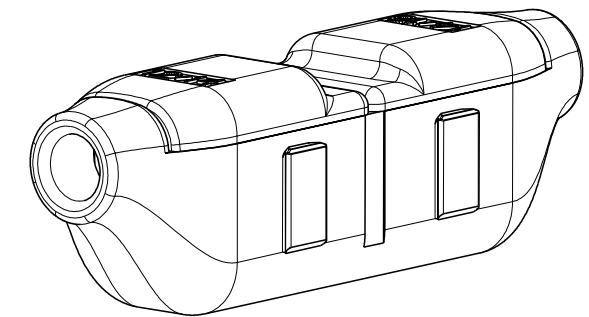
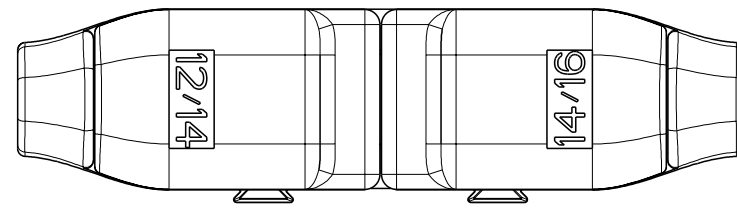
SCALE: 2:1 SHEET: 1 OF 3 REV: A

REVISIONS

P	LTR	DESCRIPTION	DATE	DWN	APVD
-	-	SEE SHEET 1	-	-	-

DIMENSIONS AFTER APPLICATION

NOTE:
1. ISET212002R0000 AS SHOWN.



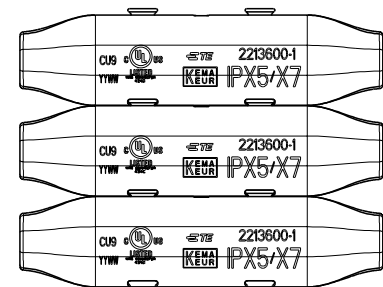
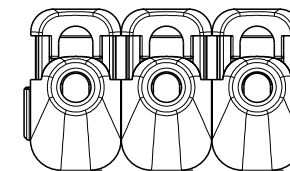
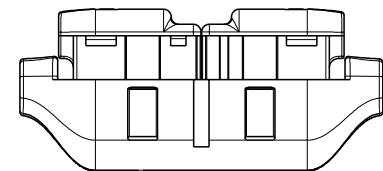
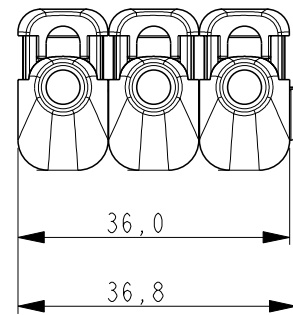
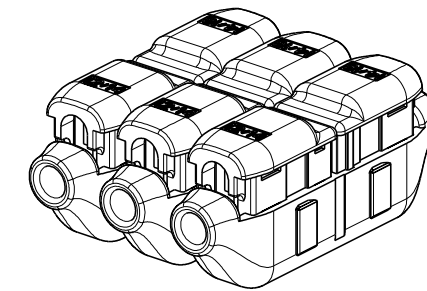
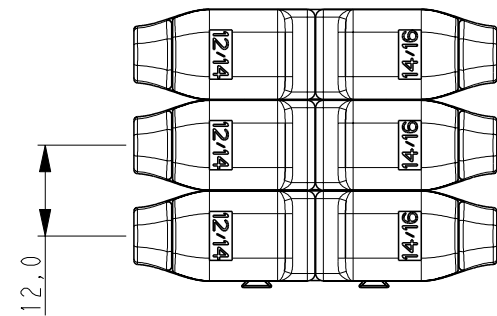
THIS DRAWING IS A CONTROLLED DOCUMENT.		DWN GOPALAKRISHNA HV 04JUL2020	ENTRELEC Electrical Solutions		
DIMENSIONS: mm		CHK IAN RIDGEWAY 04JUL2020			
TOLERANCES UNLESS OTHERWISE SPECIFIED:		APVD IAN RIDGEWAY 04JUL2020	NAME ISW40-25-L		
0 PLC ±-		PRODUCT SPEC 108-133061	-		
1 PLC ±0,2		APPLICATION SPEC 114-133061	-		
2 PLC ±0,2		WEIGHT -	SIZE A3	CAGE CODE 00779	DRAWING NO C-1SET212002R0000
3 PLC ±-		CUSTOMER DRAWING	RESTRICTED TO -		SCALE 2:1
4 PLC ±-			SHEET 2 OF 3		REV A
ANGLES ±-					
MATERIAL -					
FINISH -					

© -

REVISIONS

P	LTR	DESCRIPTION	DATE	DWN	APVD
-	-	SEE SHEET 1	-	-	-

DIMENSIONS AFTER STACKING



THIS DRAWING IS A CONTROLLED DOCUMENT.

DIMENSIONS:	TOLERANCES UNLESS OTHERWISE SPECIFIED:
mm	0 PLC ±-
	1 PLC ±0,2
	2 PLC ±0,2
	3 PLC ±-
	4 PLC ±-
	ANGLES ±-
MATERIAL	FINISH
-	-
-	-

DWN	04 JUL 2020
CHK	04 JUL 2020
APVD	04 JUL 2020
PRODUCT SPEC	108-133061
APPLICATION SPEC	114-133061
WEIGHT	-
CUSTOMER DRAWING	

<p>ENTRELEC Electrical Solutions</p>				NAME		RESTRICTED TO
				ISW40-25-L		
SIZE	CAGE CODE	DRAWING NO	RESTRICTED TO			
A3	00779	©=1SET212002R0000	-			
SCALE		SHEET	OF	REV		
2:1		3	3	A		