

REVISIONS

P	LTR	DESCRIPTION	DATE	DWN	APVD
	A	NEW DRAWING	16JUL2020	GK	IR

DIMENSIONS BEFORE APPLICATION

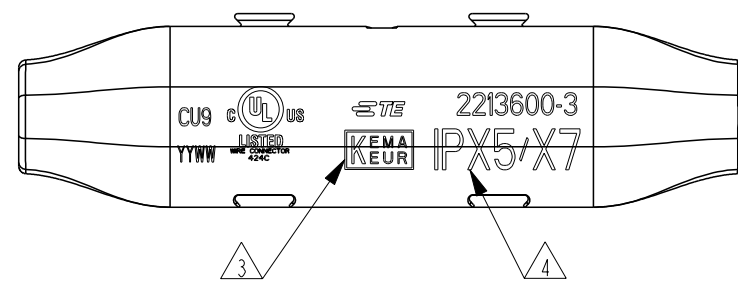
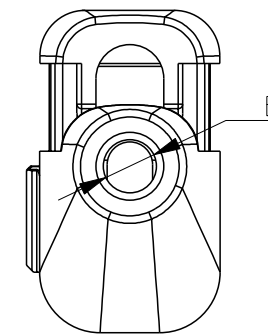
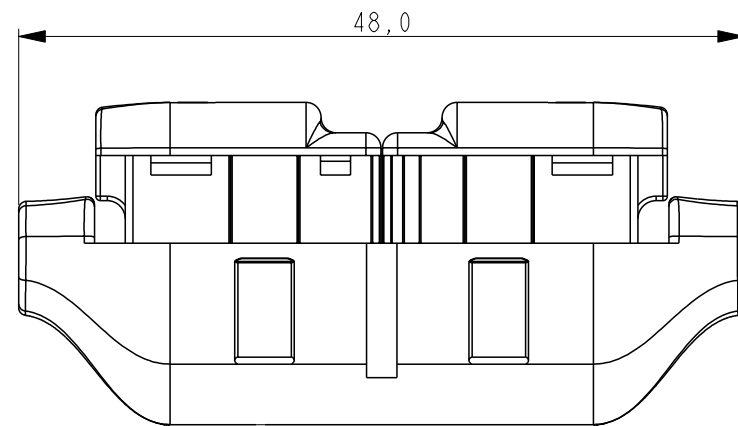
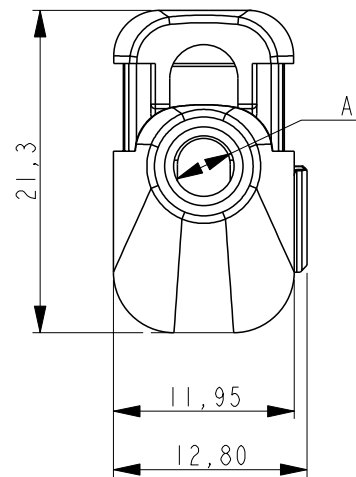
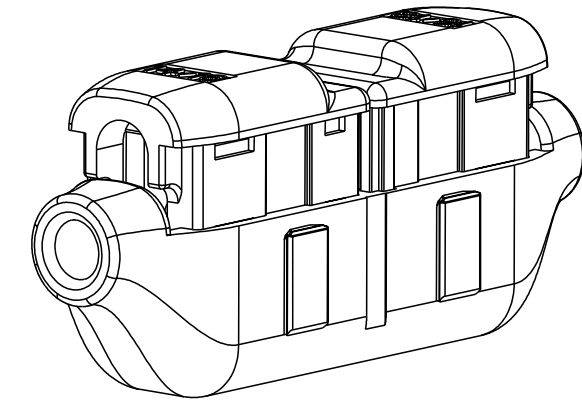
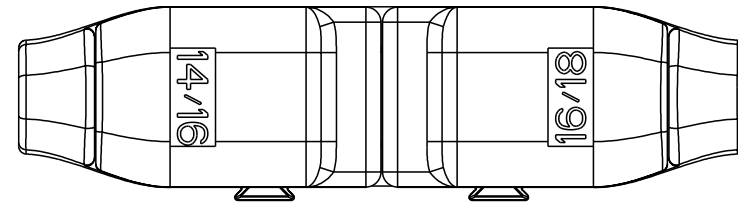
NOTES:

- 1. ISET212004R0000 AS SHOWN.
- 2. MATERIALS:

CONTACT: PHOSPHOR BRONZE, TIN PLATED
HOUSING: PC NOT GLASS FILLED;
COLOUR - CLEAR
BUTTONS: PC NOT GLASS FILLED;
COLOUR - BLUE AND RED

- 3 LASER MARKING:
 - KEMA
 - UL
 - TE LOGO
 - TE PART NUMBER
 - DATE CODE

- 4 LASER MARKING: IP x5/x7



SEALED 4	A=4.0 B=3.5	14/16 TO 16/18	ISET212004R0000	2213600-3
SEALING	WIRE ENTRY	WIRE SIZE	ENTRELEC PN	TE PN

THIS DRAWING IS A CONTROLLED DOCUMENT.
DIMENSIONING AND TOLERANCING PER ASME Y14.5M-2009.

DIMENSIONS:	TOLERANCES UNLESS OTHERWISE SPECIFIED:
mm	
	0 PLC ±-
	1 PLC ±0,2
	2 PLC ±0,2
	3 PLC ±-
	4 PLC ±-
	ANGLES ±-
MATERIAL	FINISH
-	-
-	-

DWN	16JUL2020	ENTRELEC Electrical Solutions		
CHK	16JUL2020			
APVD	16JUL2020			
NAME	IAN RIDGEWAY			
PRODUCT SPEC	108-133061	NAME	ISW25-15-L	
APPLICATION SPEC	114-133061	SIZE	CAGE CODE	DRAWING NO
WEIGHT	-	A3	00779	©-ISET212004R0000
CUSTOMER DRAWING	SCALE	2:1	SHEET	1 OF 3
				REV A

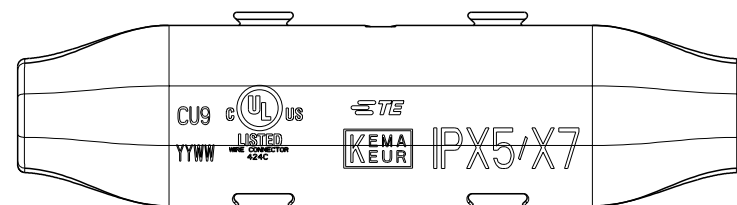
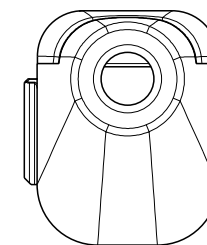
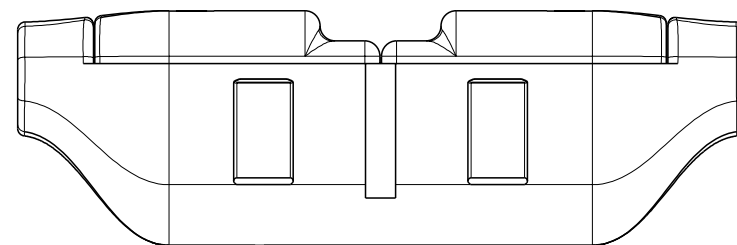
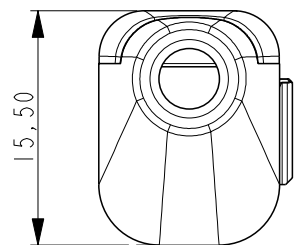
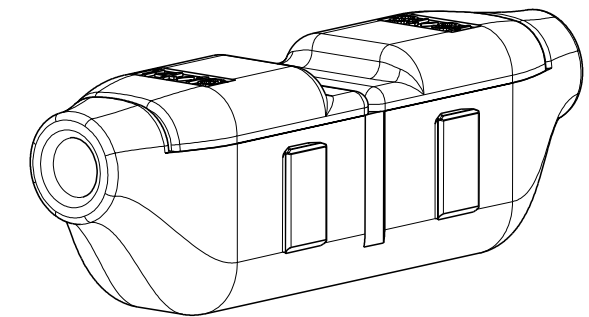
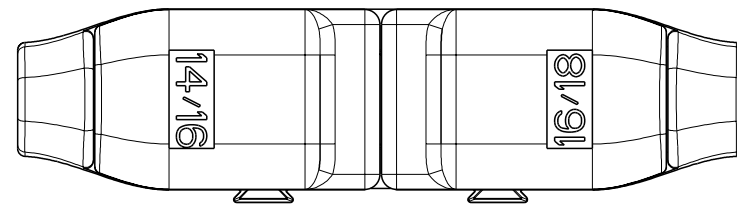
© -

REVISIONS

P	LTR	DESCRIPTION	DATE	DWN	APVD
-	-	SEE SHEET 1	-	-	-

DIMENSIONS AFTER APPLICATION

NOTE:
1. ISET212004R0000 AS SHOWN.



THIS DRAWING IS A CONTROLLED DOCUMENT.

DIMENSIONS: mm	TOLERANCES UNLESS OTHERWISE SPECIFIED:
	0 PLC ±-
	1 PLC ±0,2
	2 PLC ±0,2
	3 PLC ±-
	4 PLC ±-
	ANGLES ±-
MATERIAL	FINISH
-	-
-	-

DWN	16 JUL 2020
CHK	16 JUL 2020
APVD	16 JUL 2020
PRODUCT SPEC	108-133061
APPLICATION SPEC	114-133061
WEIGHT	-
CUSTOMER DRAWING	

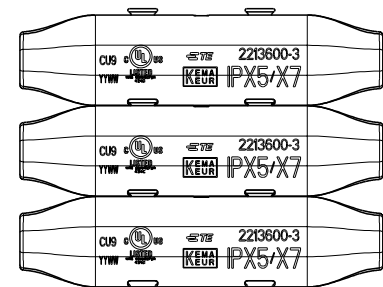
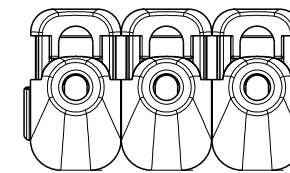
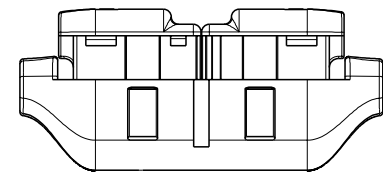
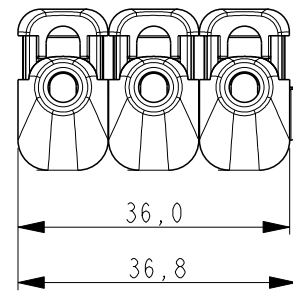
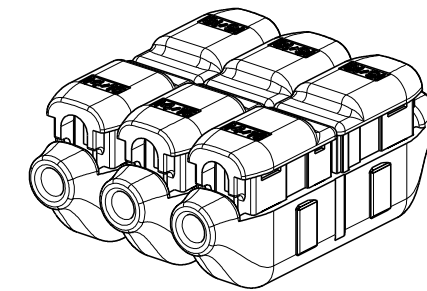
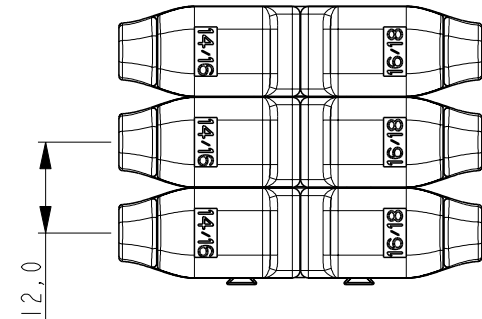
ENTRELEC Electrical Solutions			
NAME		ISW25-15-L	
SIZE	CAGE CODE	DRAWING NO	RESTRICTED TO
A3	00779	©-ISET212004R0000	-
SCALE		SHEET	REV
5:1		2 OF 3	A

© -

REVISIONS

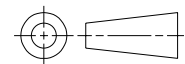
P	LTR	DESCRIPTION	DATE	DWN	APVD
-	-	SEE SHEET 1	-	-	-

DIMENSIONS AFTER STACKING



THIS DRAWING IS A CONTROLLED DOCUMENT.

DIMENSIONS:
mm



TOLERANCES UNLESS OTHERWISE SPECIFIED:

0 PLC	±-
1 PLC	±0,2
2 PLC	±0,2
3 PLC	±-
4 PLC	±-
ANGLES	±-

MATERIAL
-

FINISH
-

DWN 16 JUL 2020
GOPALAKRISHNA HV
CHK 16 JUL 2020
IAN RIDGEWAY
APVD 16 JUL 2020
IAN RIDGEWAY

PRODUCT SPEC
108-133061
APPLICATION SPEC
114-133061
WEIGHT
-

ENTRELEC
Electrical Solutions

NAME
ISW25-15-L

SIZE A3	CAGE CODE 00779	DRAWING NO C-1SET212004R0000	RESTRICTED TO -
------------	--------------------	---------------------------------	--------------------

SCALE 5:1 SHEET 3 OF 3 REV A