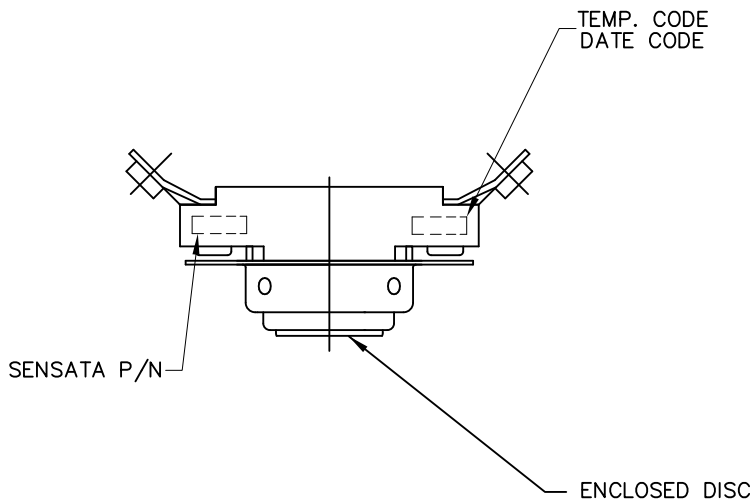
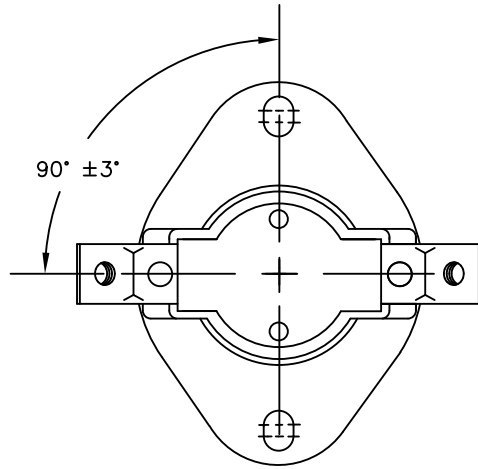


REV.	REVISION DESCRIPTION	ECN NO.	DATE
B	MOVED SENSATA P/N, TEMP CODE, DATE CODE FROM FLANGE TO SIDE OF BASE; TW	ECO-336091	08-NOV-2019



OPERATING TEMPERATURE:	
OPEN TEMP:	170° F ±10°
CLOSE TEMP:	200° F ±5°
TEMP. CODE:	F200-3.0

FOR REFERENCE ONLY, CHECK LATEST REVISION BEFORE USE.
PARTS MADE TO THIS PRINT MUST CONFORM TO E9898 REV. E

DRAWN PD DATE 12-MAY-2010	SENSATA TECHNOLOGIES PROPRIETARY AND CONFIDENTIAL. NEITHER THIS PRINT NOR THE INFORMATION CONTAINED HEREON IS TO BE USED AGAINST THE INTERESTS OF SENSATA TECHNOLOGIES OR AGAINST THE INTERESTS OF ANY OF ITS AFFILIATED COMPANIES OR WHOLLY OWNED SUBSIDIARIES. INTERPRET DIMENSIONING AND TOLERANCING PER ASME Y14.5-2009. UNLESS OTHERWISE SPECIFIED DIMENSIONS ARE IN INCHES. TOLERANCES DECIMALS ANGLES
ENGINEER A.AMORE DATE 12-MAY-2010	
APPROVED K.SULLIVAN DATE 12-MAY-2010	
APPROVED B.DAGUE DATE 12-MAY-2010	

SENSATA TECHNOLOGIES PROPRIETARY AND CONFIDENTIAL. NEITHER THIS PRINT NOR THE INFORMATION CONTAINED HEREON IS TO BE USED AGAINST THE INTERESTS OF SENSATA TECHNOLOGIES OR AGAINST THE INTERESTS OF ANY OF ITS AFFILIATED COMPANIES OR WHOLLY OWNED SUBSIDIARIES. INTERPRET DIMENSIONING AND TOLERANCING PER ASME Y14.5-2009. UNLESS OTHERWISE SPECIFIED DIMENSIONS ARE IN INCHES. TOLERANCES DECIMALS ANGLES	
DO NOT SCALE DRAWING	THIRD ANGLE PROJECTION

		529 PLEASANT STREET P.O. BOX 2964 ATTLEBORO, MA 02703	
TITLE THERMOSTAT ENVELOPE DRAWING			
SIZE A	DWG NO. 20601F3-311	REV. B	
SCALE 1:1	AUTOCAD	SHEET 1 OF 1	

DEVICE: PROJECT: