



**Schroff**

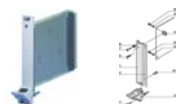
**Plug in unit kit, front anodized and rear conductive, shielded (textile), front assembly, with IEL handle**

Catalog Number: 20848-585

- To IEEE 1101.10 and IEC 60297-3-102
- Codable to IEC 60297-3-103/ IEEE 1101.10
- Front panel, shielded
- Suitable for insertion and extraction forces up to 700 N (per pair)
- Designed for fitting of microswitches



Other Views



**Description**

**Specification:**

- IEC 60297-3-102
- IEEE 1101.1/11
- IEEE 1101.10
- IEC 60297-3-103

**Material and Surface Finish:**

Al, Front Anodized, Rear Etched

**Product family:**

Plug-in units

**Handle:**

IEL

**Assembly:**

Screw on - Front Side

**EMC Shielding:**

Shielded (Textile Gasket)

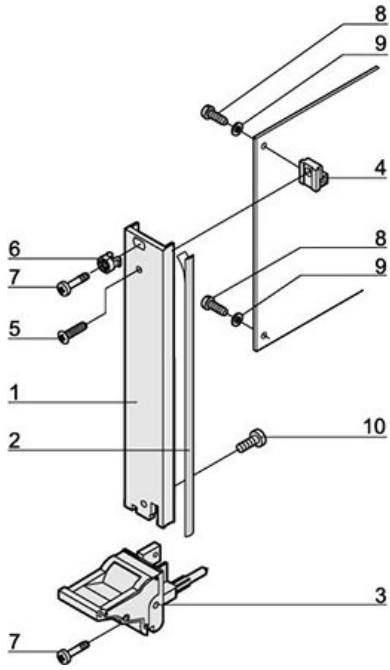
**Standard:**

CompactPCI, CompactPCI Serial, VME64x, VXS, VPX

**Delivery Comprises:**

Item	Quantity	Description
1	1	Front panel (U profile), Al, front anodised, rear conductive
2	1	EMC sealing (textile),Core: foam,Sleeve: textile cladding, CuNi coated
3	1	Handle with integrated alignment pin for perforated strip and guide rails, lever: plastic, PC, black, RAL 9005 Key: Plastic, PC, light grey, RAL 7035
4	1	Board support, die-cast zinc
5	1	Raised Pozidrive countersunk screw M2.5 × 8, St, nickel-plated
6	1	Sleeve, PA, grey
7	2	Pozidrive collar screw, M2.5 × 12.3, St, nickel-plated
8	2	Panhead screw with Torx/slot, M2.5 × 6, St, zinc-plated, self-locking
9	2	Washer A2.7, DIN 125, St, nickel-plated

Item	Quantity	Description
10	1	Panhead screw with Torx, M2.5 x 7, St, nickel-plated



## Technical Data

---

<b>Catalog Number</b>	<a href="#">20848-585</a>
<b>Thickness mm</b>	2.5
<b>Height U</b>	3
<b>Width HP</b>	4

## Documents

---



**Main Catalog - Plug-in units**



**User manual, plug-in unit IEEE**



**User Manual**



**User manual, coding IEEE**



**Dimension, Front panel 3 / 6 U**

## Links

---



**Native CAD files**

**Accessories**

Item		
	Keying/coding, grey, for IEL/ IET handle, PU 100 pcs	20817-501
	Microswitch for IEL/IET handle, PU 10 pcs	20817-606
	Label strips for IEL/IET handle, white, sheet with 210pcs (19x9,5), PU 1 pcs	60817-340
	Label strips for IEL handle, white, sheet with 320pcs (19x4,8), PU 1 pcs	60817-341