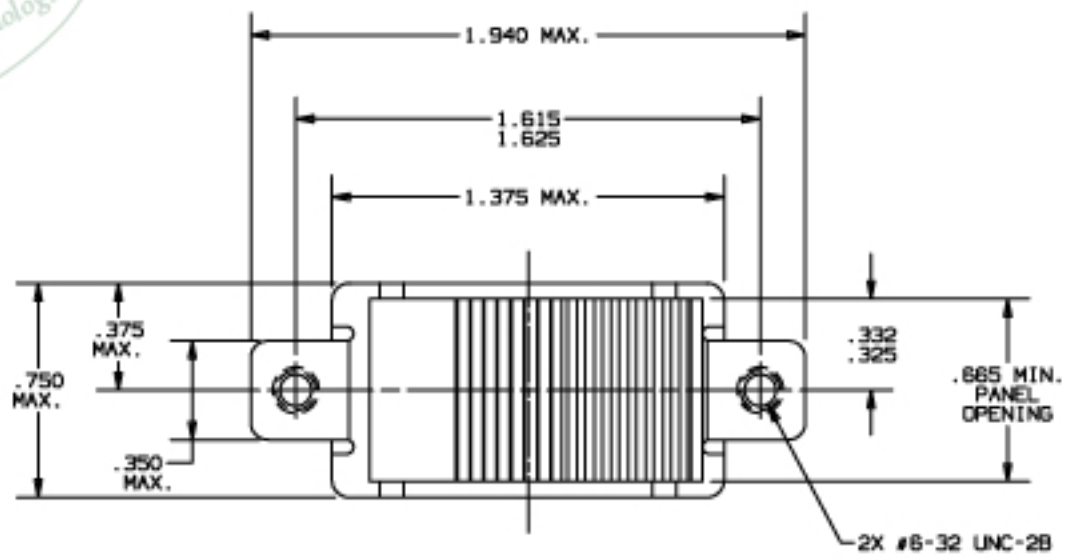


Property of
Sensata Technologies

REVISIONS						
ZONE	LTR	20TC	DESCRIPTION	PROJ. 1157	DATE	APPROVED
	H		ADDED MAX. OPERATING FORCES NOTE. ECN0028165 PAF		3/22/06	RG



(DETAIL PERFORMANCE PER MIL-C-5809)

OVERLOAD CYCLING-----100 CYCLES AT 200% RATING
 VIBRATION-----10 G'S MINIMUM 50-500 CPS
 MECHANICAL SHOCK-----25 G'S 11.5 MILLISECONDS DURATION
 ACCELERATION-----10 G'S MINIMUM
 CORROSION-----SALT SPRAY 50 HOURS
 HUMIDITY-----10 DAYS
 EXPLOSION PROOF-----WHILE INTERRUPTING RUPTURE CURRENT
 OPERATING ALTITUDE:-----70,000 FT.

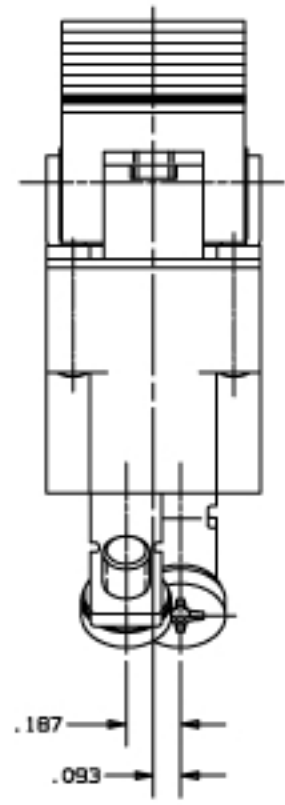
VOLTAGE DROP-----3 AMP RATING .75 VOLTS
 5 AMP RATING .65 VOLTS
 7 1/2 AMP RATING .50 VOLTS

ENDURANCE:
 120 VAC-----60-400 CPS, INDUCTIVE -----5000 CYCLES
 RESISTIVE -----5000 CYCLES
 30 VDC-----INDUCTIVE -----2500 CYCLES
 RESISTIVE -----5000 CYCLES
 MECHANICAL-----10000 CYCLES

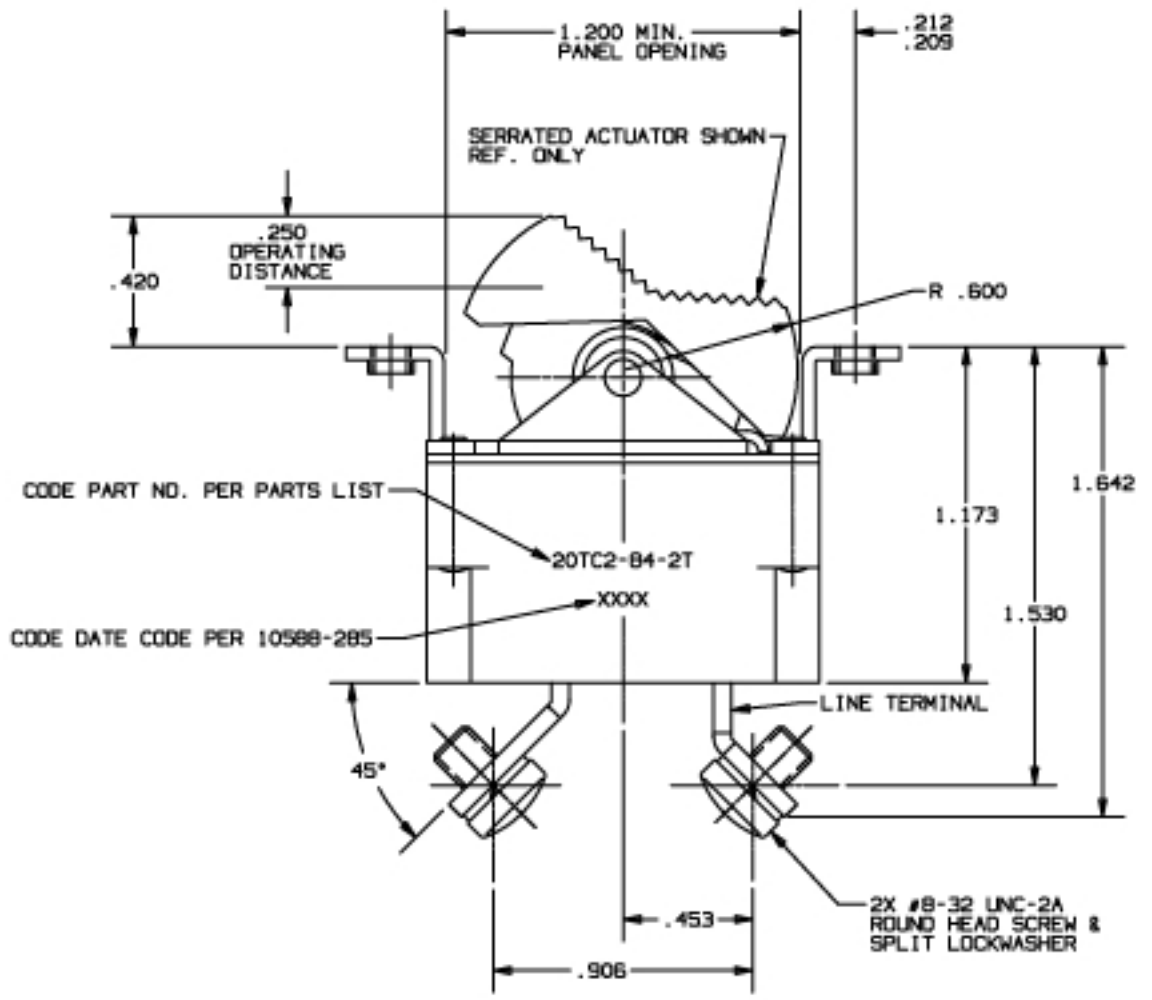
CALIBRATION:	TEST	CIRCUIT BKR RATING	PERCENT RATED CURRENT	AMB TEMP.	TRIP TIME
	MIN. ULT. TRIP	3-35	110	25°C	HOLD
	MAX. ULT. TRIP	3-35	150	25°C	1 HR. MAX.
	200% TIME	3-35	200	25°C	10-130 SEC.

RUPTURE:
 3 AMP THRU 35 AMP
 120 VAC, 400 C'S, 1000-AMPS
 30 VDC, 2000 AMPS

MAXIMUM OPERATING FORCES:
 ON POSITION.....10 LBS. MAX.
 OFF POSITION.....10 LBS. MAX.



PART NO.	AMP RATING
20TC2- 3	3
20TC2- 5	5
20TC2- 7 1/2	7 1/2
20TC2- 10	10
20TC2- 15	15
20TC2- 20	20
20TC2- 25	25
20TC2- 30	30
20TC2- 35	35



THIS IS A CAD DRAWING. THE GEOMETRY IN THE ASSOCIATED CAD COMPUTER FILE IS DIMENSIONALLY ACCURATE. WHEN DRAWING IS BEING REVISED, THE GEOMETRY MUST BE UPDATED IN ALL VIEWS AND ON ALL SHEETS.

UNLESS OTHERWISE SPECIFIED DIMENSIONS ARE IN INCHES	DRAWN J. HORAN	DATE 8/5/66	 Texas Instruments ATTLEBORO, MASSACHUSETTS 02703	 Klixon CONTROL PRODUCTS DIVISION
TOLERANCE ON FRACTIONS DECIMALS ANGLES	ENGINEER			
	APPROVED B. FOLEY	8/26/66	TITLE ROCKER ACTUATED CIRCUIT BREAKER ENVELOPE DRAWING	
MATERIAL			SIZE C	CODE IDENT NO. 82647
	SIGNATURES ON FILE. REFER TO ELECTRONIC CHANGE NOTICE.		SCALE: 4X	SHEET 1 OF 1