

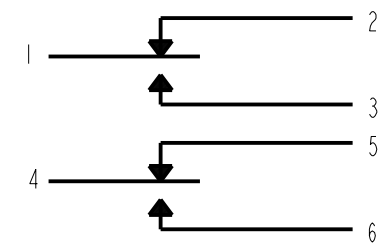
**MICRO SWITCH**  
a Honeywell Division

FED. MFG. CODE 91929

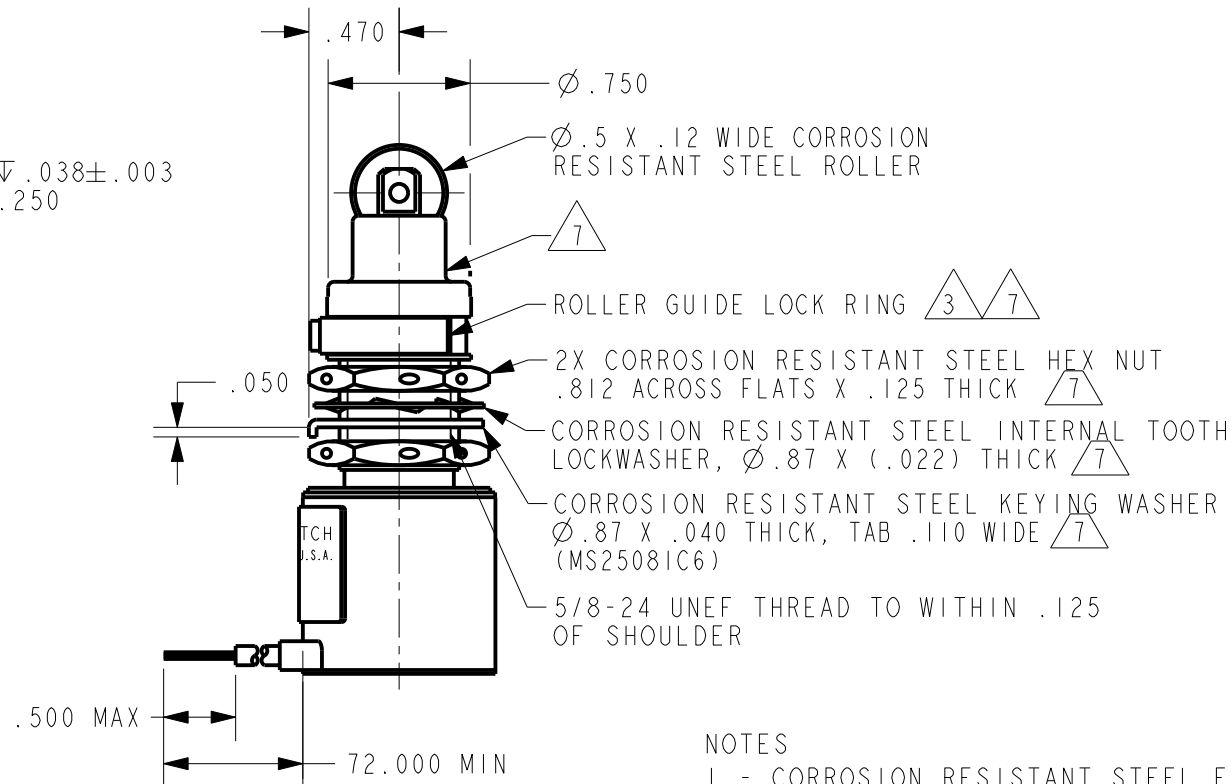
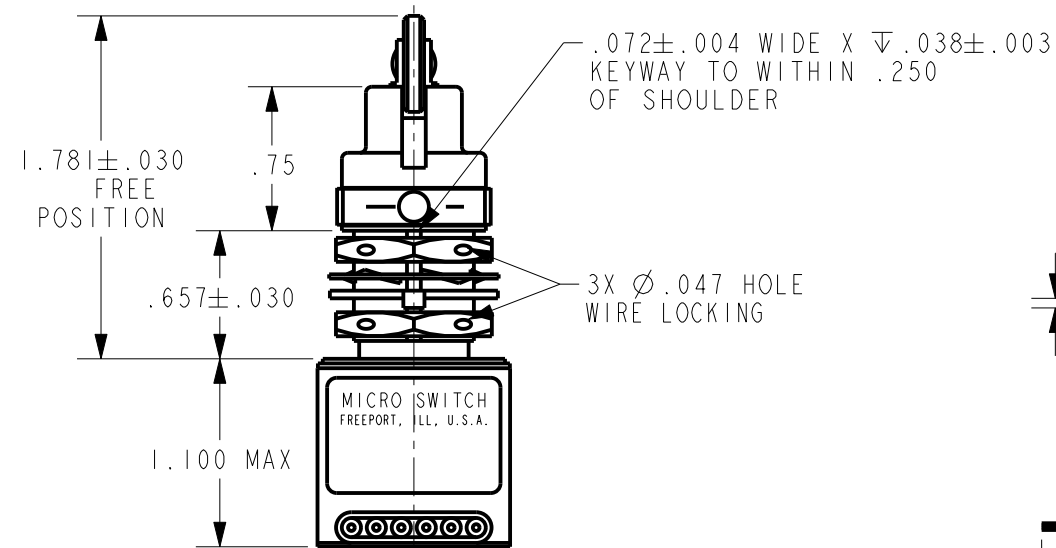
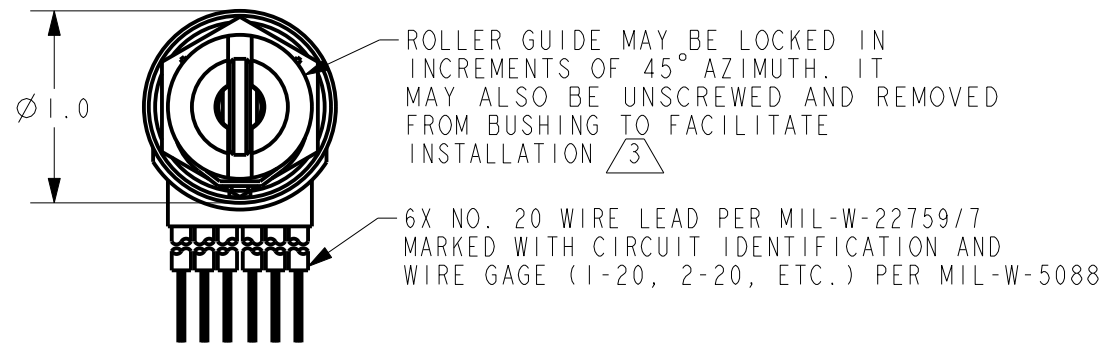
**SWITCH - ENCLOSED**

CATALOG LISTING

**21EN108-6**



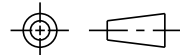
CIRCUIT DIAGRAM



- NOTES
- 1 - CORROSION RESISTANT STEEL ENCLOSURE
  - 2 - SWITCH SEALED PER MIL-PRF-8805 SYMBOL 4
  - 3 - TO ADJUST ROLLER DIRECTION, REMOVE ROLLER GUIDE LOCK RING, SCREW ROLLER GUIDE DOWN AS FAR AS POSSIBLE, THEN UNSCREW TO DESIRED DIRECTION. SECURE BY REPLACING ROLLER GUIDE LOCK RING
  - 4 - COINCIDENCE OF OPERATING AND RELEASING POINTS: .010 OF PLUNGER TRAVEL
  - 5 - CIRCUIT DIAGRAM, CAT. LIST., AND DATE CODE ARE SHOWN ON NAMEPLATE
  - 6 - REPLACEMENT LOCK RING-PACKET I5PAI37
  - 7 - HARDWARE MAY BE PACKAGED UNASSEMBLED PER MIL-PRF-8805
  - 8 - BASIC SWITCHES HAVE BIFURCATED GOLD CONTACTS

THIS DRAWING COVERS A PROPRIETARY ITEM AND IS THE PROPERTY OF MICRO SWITCH, A DIVISION OF HONEYWELL. THIS DRAWING IS NOT TO BE COPIED OR USED WITHOUT THE APPROVAL OF MICRO SWITCH

THIRD ANGLE PROJECTION



CHARACTERISTICS	
OPERATING FORCE	6-12 LB
FULL OVERTRAVEL FORCE	30 LB MAX
RELEASE FORCE	4 LB MIN
PRETRAVEL	.040 MAX
DIFFERENTIAL TRAVEL	.020 MAX
OVERTRAVEL	.250 MIN

ELECTRICAL DATA		
CONTACT ARRANGEMENT		
2X SPDT		
LOAD	28 VDC	
	SEA LEVEL	50,000 FT.
RES	1	1
IND	.5	.5

SCALE	
FULL	
DO NOT SCALE PRINT	
UNLESS OTHERWISE SPECIFIED TOLERANCES ARE	
ONE PLACE	(.0) ±.030
TWO PLACE	(.00) ±.015
THREE PLACE	(.000) ±.005
ANGLES	±

WEIGHT 7.1 OZ MAX

ANSI Y14.5M-1982 APPLIES

CATALOG LISTING

PAGE 1 OF 1

ISSUE 7

REVISIONS  
A 201512 TSM 1 NOV 00  
B 0006608 KR 21 JUL 04

CHECK 21 JUL 04

CHECK 1 NOV 00

CHECK 1 NOV 00

CHECK 1 NOV 00

CHECK 1 NOV 00

CHECK 1 NOV 00

CHECK 1 NOV 00

CHECK 1 NOV 00

CHECK 1 NOV 00

CHECK 1 NOV 00

CHECK 1 NOV 00

DRAWN PTC/CAD 2D

REPLACES

RELEASE NO. PR-16509

CHECK

CHECK

CHECK

CHECK

CHECK

CHECK

CHECK

CHECK

CHECK

CHECK

CHECK

CHECK

CHECK