

CONFIDENTIAL -

The Information contained in this document is the property of Cooper Industries, Inc. It is not for public disclosure. Possession of the Information does not convey any right to loan, sell, or disclose the Information. Unauthorized reproduction or use of the Information is Prohibited. This document is to be returned to Cooper Industries, Inc. upon completion of the purpose for which it is loaned or upon request.

COPYRIGHT - Cooper Industries, Inc.

This is an unpublished work. The disclosure of this work is limited to select personnel. Further dissemination or disclosure to the public is PROHIBITED. This unpublished work is protected by Federal Copyright Law and all rights thereunder are reserved by Cooper Industries, Inc.

P/N	DESCRIPTION	VENDOR P/N	COVER COLOR
22901-1.5	TRANSZORB, 1.5KE	VISHAY, 1.5KE 30CA	GOLD
22902-XX	RESISTOR, XX OHM 5 WATT	RCD, 235 RXXX J (5%)	SILVER
22903-6	DIODE, 6 AMP	VISHAY, FE6; B OR C	SILVER
22903-6V	DIODE, 6 AMP W/WING	VISHAY, FE6; B OR C	SILVER

REV	DESCRIPTION	DATE	APPROV
0	RELEASE FOR SALES ECN J05095 MK	01/24 2005	<i>M.K.</i>

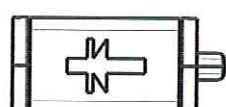
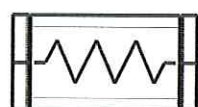
P/N SCHEME

229XX - XX

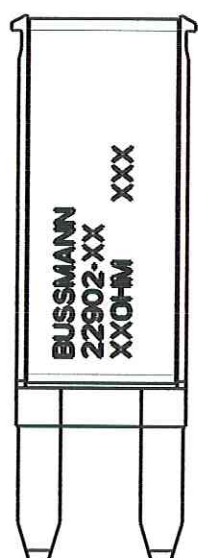
VALUE FOR: TRANSZORB, RESISTOR OR DIODE.

- 01 (TRANSZORB)
- 02 (RESISTOR)
- 03 (DIODE)

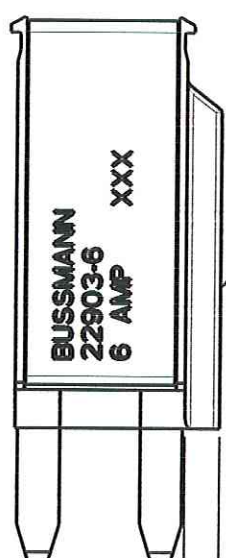
MINI-VEC DEVICES



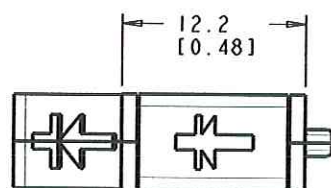
THIS STYLE IS USED FOR:
22901-1.5 (TRANSZORB)



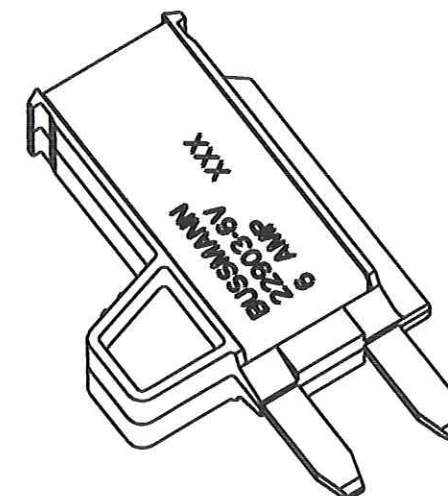
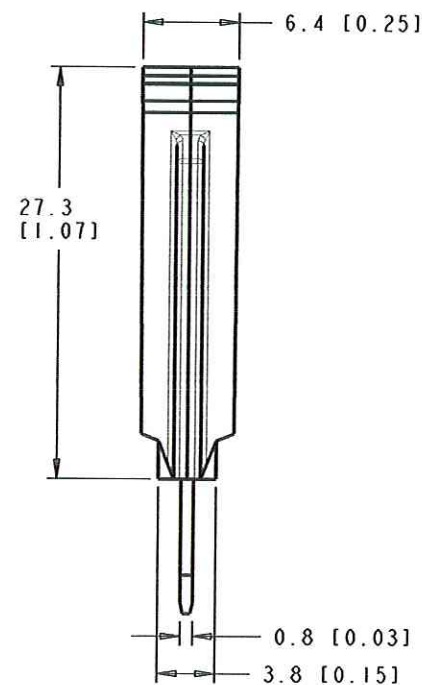
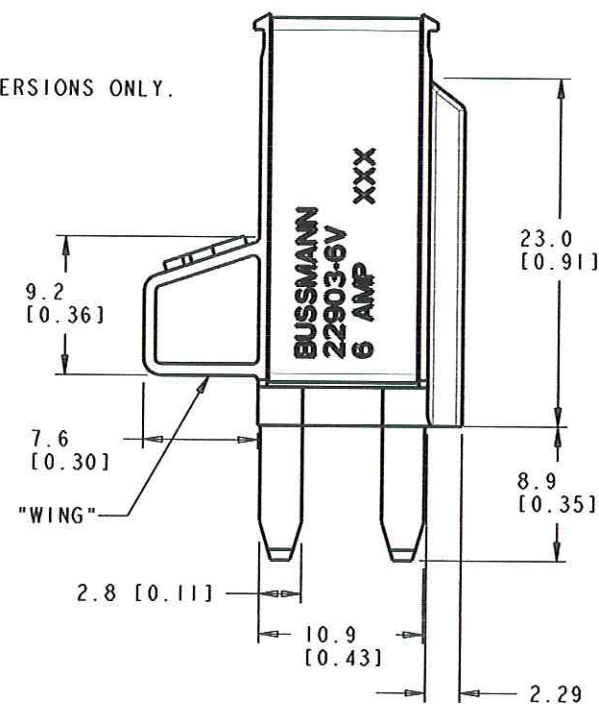
THIS STYLE IS USED FOR:
22902-XX (RESISTOR)



THIS STYLE IS USED FOR:
22903-6 (DIODE)



"KEY"
22903 VERSIONS ONLY.



22903-6V IS DIMENSIONALLY SHOWN.
22901-1.5 (TRANSZORB), 22902-XX (RESISTOR)
AND 22903-6 (DIODE), RETAIN SAME PHYSICAL
DIMENSIONS AND FEATURES EXCEPT FOR "WING"
AND "KEY" FEATURE WITH THOSE SHOWN.

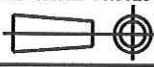
NOTES:
LABEL ON (1) SIDE AND TOP, ORIENTATED AS SHOWN.
ALL DIMENSIONS ARE FOR REFERENCE ONLY.

COOPER Bussmann
St. Louis, MO

TOLERANCES
UNLESS OTHERWISE SPECIFIED

METRIC (mm)	ENGLISH (in)
1 PL DEC: ± .25	2 PL DEC: ± .01
2 PL DEC: ± .13	3 PL DEC: ± .005

THIRD ANGLE PROJECTION



ANGULAR TOL: ± 2°
FRACTION TOL: ± 1/64 IN

Plant Code:

U.N. J

Design Units
Metric/English

For change history please
consult the Bussmann
Engineering Change
Notice number listed below.

J05095

Title:

VEC Mini-Devices

Sheet 1 of 1

Scale: 2:1

Revision: Version

Date: 24-Jan-05

Created By:

M.K.

Part Number:

229XX-XX - Sales

Ref. Name: 229XX-XX-SALES