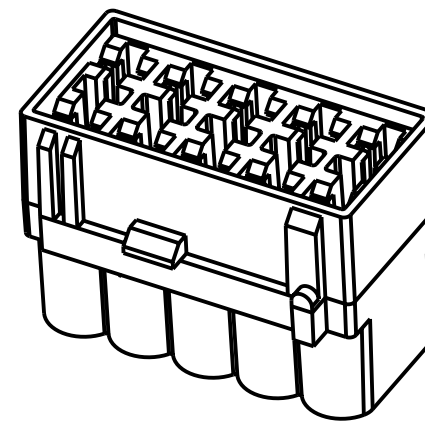
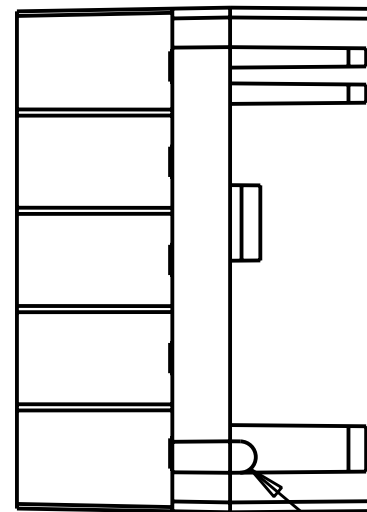
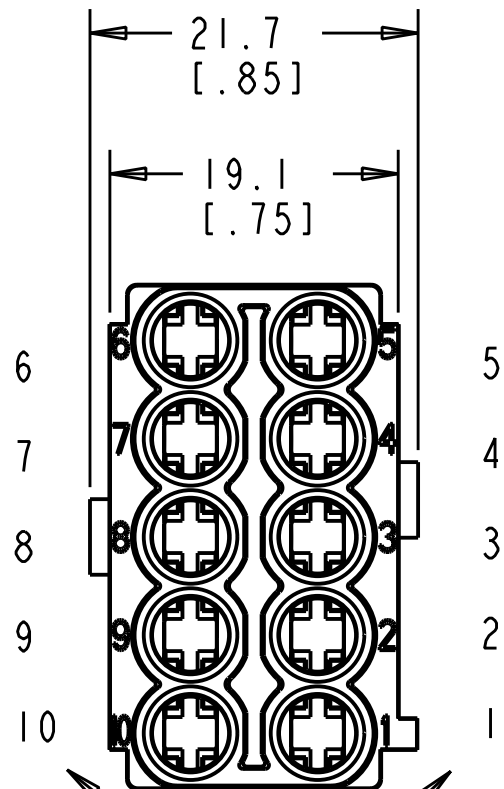
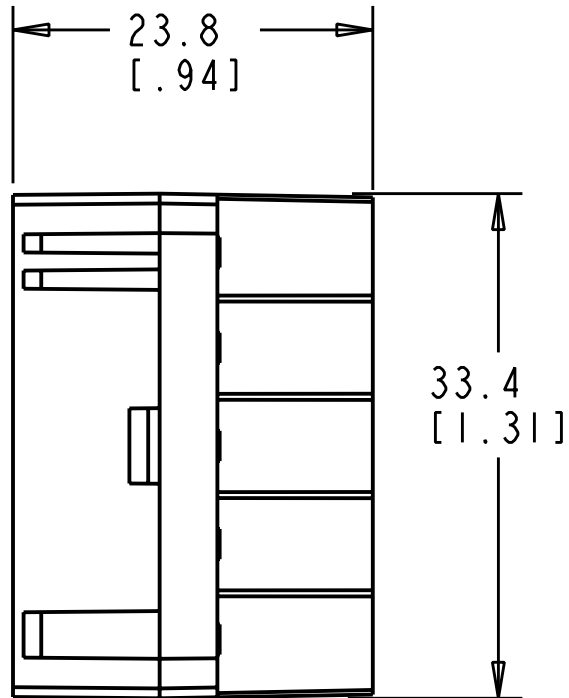


90-24369



SCALE 1.5

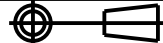
KEY FEATURE

TERMINAL NUMBERS

NOTES:

1. VIEWS ARE DUAL DIMENSIONED - MM/[INCH].
2. EATON PART NUMBER: 25-24787.
3. APPLICABLE TERMINALS(AMP JUNIOR POWER TIMER):
 14-16 AWG: AMP PART NUMBER 927773 OR 927768
 18-20 AWG: AMP PART NUMBER 927775 OR 927771.

 DESIGN MAJOR REQUIREMENT

| | | | |
|--|--|---|--|
| TOLERANCING MILLIMETERS UNLESS OTHERWISE SPECIFIED LINEAR: X ±.5 X.X ±.2 X.XX ±.1 ANGULAR: X° ±1° | | METRIC ALL DIMENSIONS IN MILLIMETERS UNLESS OTHERWISE NOTED | |
| THIRD ANGLE PROJECTION  | | EATON | |
| TITLE: CONNECTOR, EVU, DIMENSION DRAWING | | PRODUCT: EVU | |
| A ECO 58897 RELEASED DRL 3-2-04 | | USAGE: - | |
| MAT'L - SPECS - COAT - | | DR DRL 3-2-04 SCALE: 2.000 | |
| APP - | | DEV NO - REL NO ECO 58897 | |
| THE INFORMATION ON THIS DRAWING IS THE PROPERTY OF EATON CORPORATION, IS DISCLOSED IN CONFIDENCE AND IS NOT TO BE REPRODUCED, USED OR DISCLOSED EXCEPT FOR THE PURPOSE FOR WHICH FURNISHED. CES SPEC. 50-2500 APPLIES TO THIS DRAWING. | | GRADE: B 90-24369 REVISION: A | |
| FILE TYPE: PRO/E | | SHEET: OF: | |