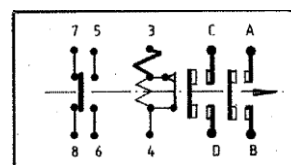
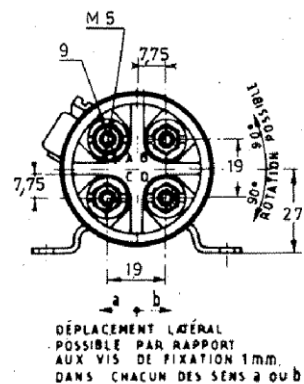
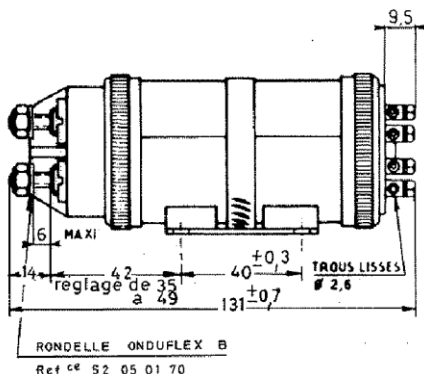
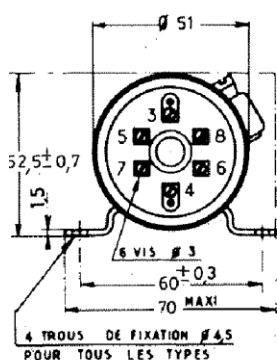


DOUBLE-POLE CONTACTOR

Direct current continuous operation - 55° + 125° C

SIZE 300 AMP

REFERENCE: 2522-1M0Y1



GENERAL CHARACTERISTICS

DEFINITION

Electromechanical device intended to close or open two direct-current electrical circuits. The device's principal moving contacts have a single rest position corresponding to an open circuit.

PRESENTATION

The device is contained in a metal housing in the form of a detachable cylinder that may be oriented in relation to its mounting base.

It has insulating plates at each end, one for the power outputs and the other for the connections for the auxiliary contacts and the control winding.

USE

- Maximum operating altitude: 3000 meters
- Ambient operating temperature: - 55°C - + 125°C
- Resistance to sustained acceleration: 15g along all axes.

CONNECTIONS

Main terminals in steel (clamping unit) accepting bars or crimp lugs for standard cables (see table below).

Auxiliary terminals suitable for crimp lugs (for cables with a maximum cross-section of 3.1 mm²) or end-pieces (for cables with a maximum cross-section of 1.91 mm²).

Manufacturer	Suitable crimp lugs - Connection terminals A-B-C-D							
	Cross-section of cables in mm ²							
	0.68-0.93	1.34	1.91	3.1-5.3	8.9	13.4	21.8	41.8
SOURIAU	18.50	14.50	14.50	10.50				
A.M.P.	31.884	31.884	31.900	35.109	322.128	322.050	132102-1	132101-2

Recommended tightening torque (N m)	
Ø 3	> 0.49 < 0.68
Ø 5	> 2.64 < 2.94

ELECTRICAL CHARACTERISTICS

POWER CONTACTS Direct current at 30 volts maximum Endurance 50,000 cycles				OPERATION at + 125°C			AUXILIARY INVERTER Direct current at 30 volts maximum			TIMINGS	
NOMINAL CURRENT PER POLE	L/R CIRCUIT INDEPENDANCE	VOLTAGE DROP	BREAKING CAPACITY 10 TIMES	PICK-UP VOLTAGE	DROP-OUT VOLTAGE	COIL CONSUMPTION AT 28.5V	NOMINAL CURRENT DURING REST OR ACTUATION		VOLTAGE DROP	CLOSING	OPENING
							OHMIC CIRCUITS	INDUCTIVE CIRCUITS			
AMPERES	MILLISECONDS	MILLIVOLTS	AMPERES	VOLTS	VOLTS	AMPERES ±10%	AMPERES	AMPERES	MILLIVOLTS	MILLISECONDS	MILLISECONDS
200	10	≤ 100	1500	U _f ≤ 17	1.5 < U _o < 5	0.35	5	3	≤ 50	≤ 20	≤ 15
300	5	≤ 150	1500	U _f ≤ 17	1.5 < U _o < 5	0.35	5	3	≤ 50	≤ 20	≤ 15

NOTE: The principal contact is only guaranteed operational for a controlled current of at least 2 amperes.

INRUSH CURRENT

The instantaneous (5 millisecond) current absorbed by the pick-up winding is limited to 6 amperes at 28.5 volts.

REFERENCE STANDARDS

MIL R 6106 and MIL STD 202 by similarity

REFERENCES TO ORDER

Equipped contactor: 2522 – 1MOY1
 Contactor without base and collar: 2522 – 1MNO
 Base: 2530-104
 Collar: MH 032 052

SAFRAN ELECTRICAL & POWER
 2250 Whitfield Avenue
 Sarasota, FL 34243 USA
 Tel. 1-800-955-7354 Fax 941-751-7173
 TechnicalSupport.SRQ@SafranGroup.com

**POWERED
BY TRUST**

