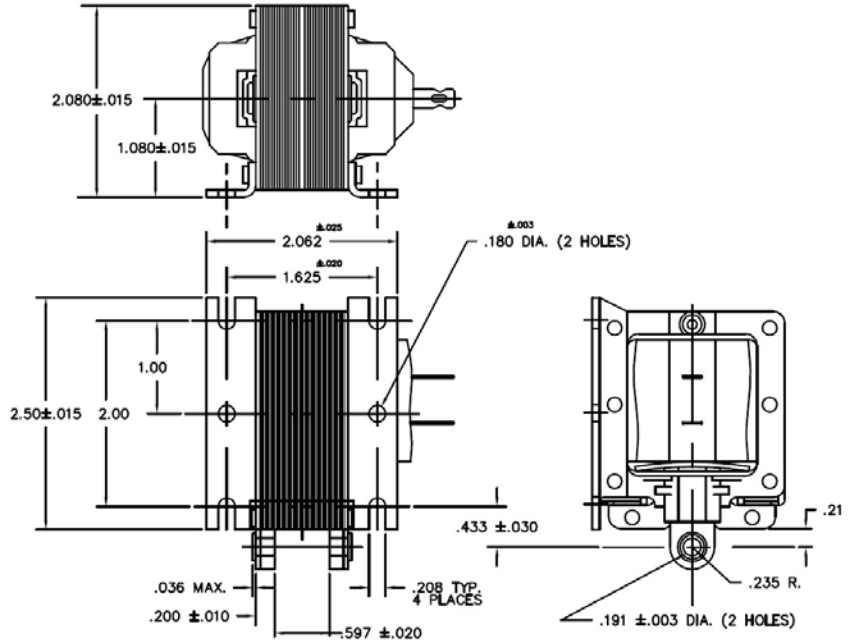
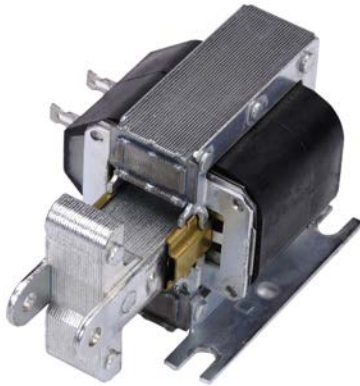


Series 25XX – 1” Stack

AC Laminated Pull Solenoid

Size: 2.500” L X 2.062” W X 2.080”H

ALL PRODUCTS ARE RoHS COMPLIANT



Solenoid shown energized in drawing with plunger fully seated

Part No.	Duty Cycle	Voltage	Resistance (Ω) ± 5%	Max On Time	Watts Seated (W)	Current Seated (A)
2536-M-1	Continuous	120 VAC / 60Hz	14.8	∞	19.0	0.48
2537-M-1	Continuous	240 VAC / 60 Hz	59.6	∞	18.0	0.24

Continuous Duty = 100% “On” Time
 Intermittent Duty = 20% “On” Time
 When ordering please refer to Part No. as listed above

Stroke (in.)	Typical Pull Force (oz.)								Holding Force (oz.)
	0.060	0.125	0.250	0.375	0.500	0.625	0.750	1.000	
Continuous Duty	256	176	144	144	150	150	131	88	128
Intermittent Duty	512	256	192	192	192	192	184	125	N/A

Additional Specifications:

- Dielectric Strength: 1500 VRMS
- Heat Sink: None
- Coil Insulation: Class “A”: 105°C Max Temperature
- Coil Termination: Solder Terminals
- Total Unit Weight: 22 oz. / 623 g

