

# Product Data Sheet



## 25TB XX F

Replace "XX" with 02, 05, 06, 07, 09, 10 or 12 for number of poles

Navy Class Terminal Board

25 Amps, 60Hz

300 Volts RMS



(6 Pole shown)



Barrel Nut (NOT TO SCALE)  
One provided per stud (loose)

### Copper Wire Only

Single Stud  
Single Row

Recommended Maximum size wire: #14 AWG

### Electrical Ratings:

- 25A, 60Hz
- 300 Volts RMS
- 1500 Volts RMS Dielectric Withstanding Voltage

### Mechanical Ratings:

- Storage and transportation temperature range: -35°C to 110°C (-31°F to 230°F)\*
- Maximum insulator base temperature: 155°C (311°F)\* UL RTI
- Flammability rating of insulator base: UL 94V-0

### Materials:

- Insulator base: MAI-60 in accordance with MIL-M-14.
- Stud #4-40 NC-2: Brass, unplated
- Barrel Nut: Brass, unplated (provided loose)

### Agency Approvals:

- A-A-59125 / 23, MIL-T-55164 / 23
- MAI-60 in accordance with MIL-M-14
- RoHS Compliant

## Wire Range:

- Maximum size: #14 AWG Copper

## Lug information:

- MS17143 – 17
- Maximum Lug Width : 0.242" (6.1 mm)
- Recommended Torque: 6 – 8 in. lbs. (0.7 – 0.9 N·m)
- Screw Size: #4

Suggested product mounting hardware: #6 fastener, torque to 10-15 in. lbs.

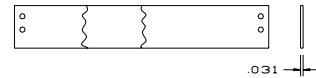
Barrel Nut Screwdrivers can be purchased at the following link:

[http://comsaco.com/catalog/product\\_info.php?products\\_id=182](http://comsaco.com/catalog/product_info.php?products_id=182)

## ACCESSORIES:

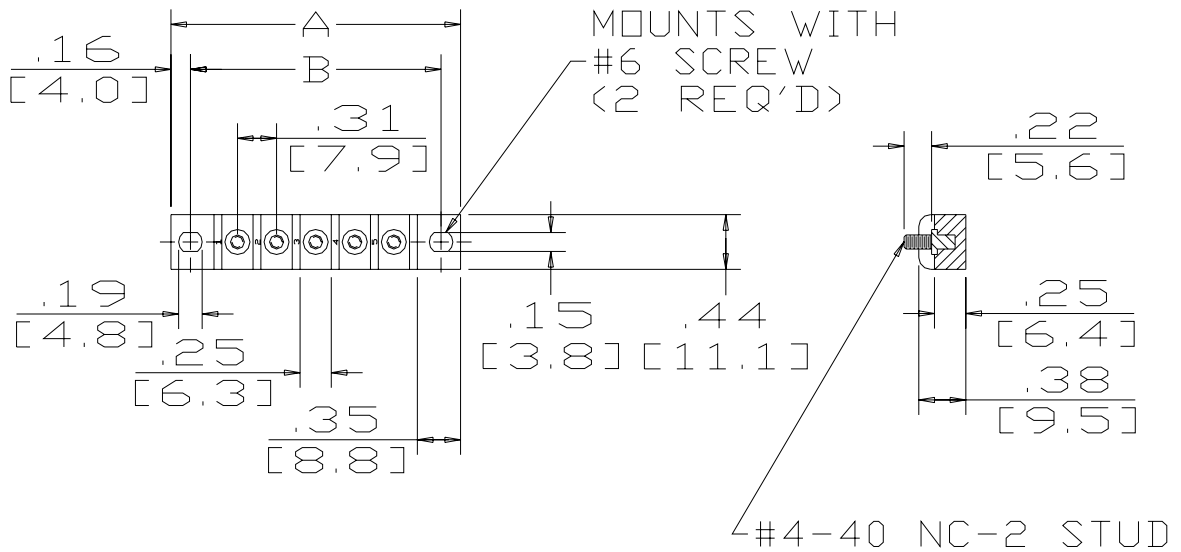
- JJ (GDI-30F) Material available. Glass-fiber filled, diallyl ortho-phthalate. UL-94 V0. Certifiable to Military Specifications MIL-M-14 and MIL-P-19833. (25 TBHT XX F)

- Marking strips - sub mounted. Can be made from XP (general purpose laminate), XXXPFR (flame retardant), GME (glass cloth melamine), or GEE (glass cloth epoxy) material. (For Printing Options, see section on website)



Catalog No	# of Terminals	Dimensions		No. of Nuts
		A	B	
25TB 02F	2	1.38	1.06	2
25TB 05F	5	2.31	2.00	5
25TB 06F	6	2.63	2.31	6
25TB 07F	7	2.94	2.63	7
25TB 09F	9	3.56	3.25	9
25TB 10F	10	3.88	3.56	10
25TB 12F	12	4.50	4.19	12

MM = Dim X 25.4



[WWW.MARATHONSP.COM](http://WWW.MARATHONSP.COM)  
1-419-352-8441

PDS 0311 REV A 10/21/08