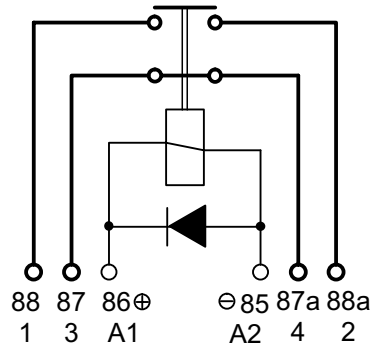


50 AMP. POWER RELAY (28 VDC)
 MAKE CONTACT BREAK CONTACT
 90° OFFSET SIDE MOUNTING ENVIRONMENTALLY SEALED

Wiring & Dimensions

Page 1 of 2

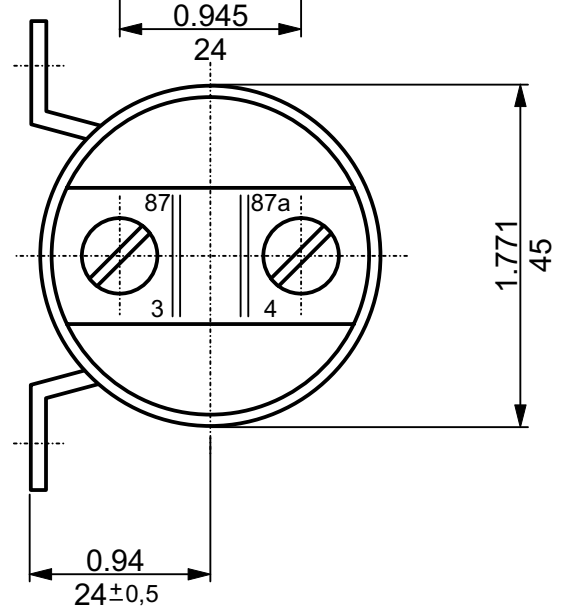
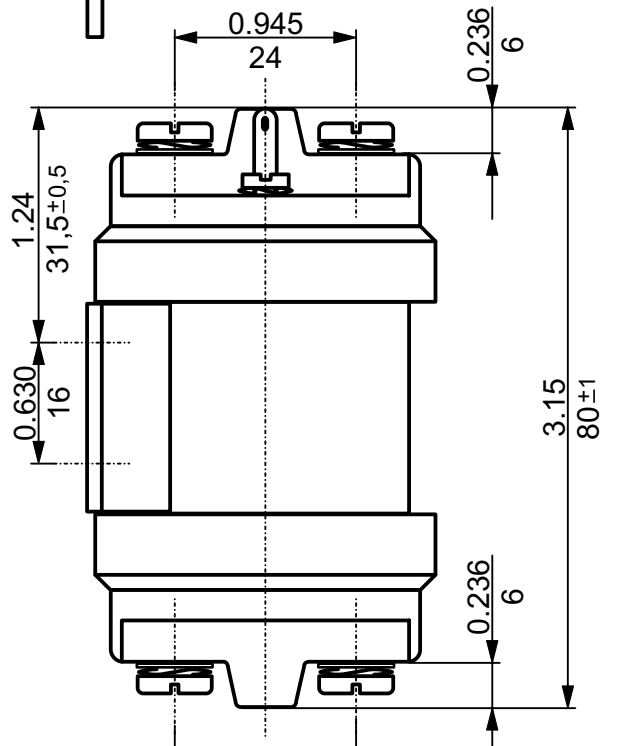
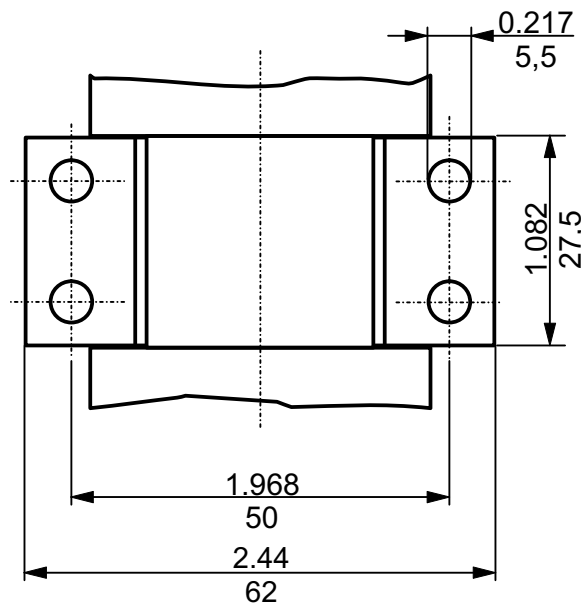
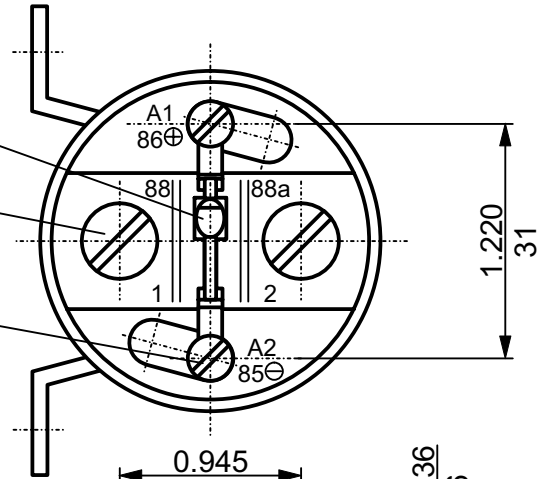
CIRCUIT



SUPPRESSION DIODE

MAIN TERMINALS
M5 DIN85

COIL TERMINALS
M3 DIN85

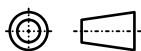


ORDER - NO.

- 26.72.03 WITH SUPPRESSION DIODE
- 26.72.04 WITHOUT SUPPRESSION DIODE

DIMENSIONAL TOLERANCES

Third Angle Projection



3 PLACE DECIMAL ± 0.010
 2 PLACE DECIMAL ± 0.03
 ANGULAR ± 0°30'

| | | | | |
|--------|--------|--------|------------------------|--------------|
| 1994 | Date | Name | Inch mm | Scale 1:1 |
| Design | 20.10. | S.Paul | | |
| Check | 20.10. | Grupp | General Tolerances | |
| Appro | | | DIN 7168 m ISO 2768 | |



Drawing No. ≙ Order No.
26.72.03
26.72.04

