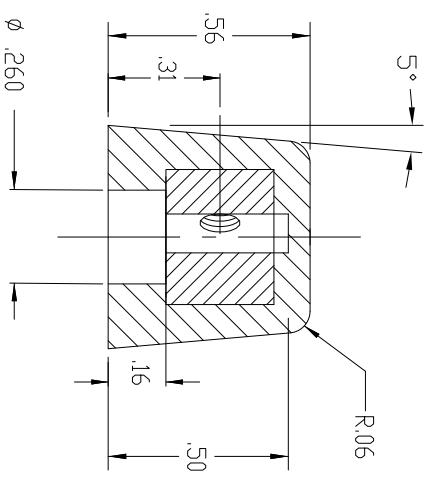
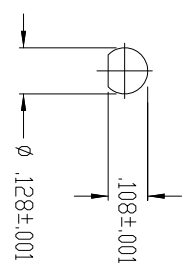
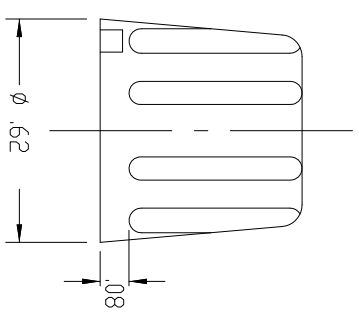
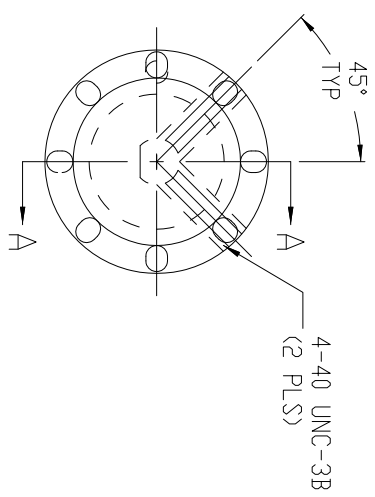
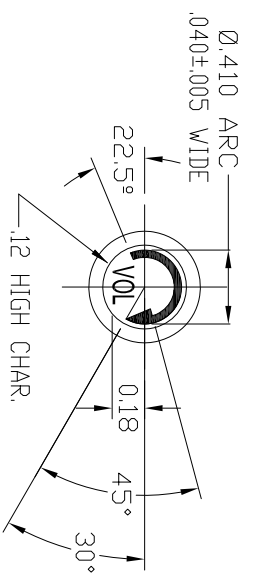


LTR.	DESCRIPTION	APPR.	DATE.
------	-------------	-------	-------



- NOTES:
1. KNDB: ACRYLIC, CLEAR, PAINTED BLACK PER FED STD-595 COLOR #37038, MARKINGS, WHITE PER FED STD-595 COLOR #37875
 2. INSERT: BRASS, NICKEL PLATE PER QQ-N-290.
 3. SET SCREWS: (2) MSS1021-101

BREAK ALL SHARP EDGES .005 MAX		MATERIAL:	
TOLERANCES (EXCEPT AS NOTED)		SEE NOTES	
DECIMALS	±.005	FINISH	SEE NOTES
XX = ±.02			
XXX = ±.010			
FRACTIONAL	± 1/32	DRAWN BY:	DATE
ANGULAR	±.2°	MZ	12/21/10
		APPROV. BY:	DATE
		WS	12/21/10
ELECTRONIC HARDWARE CORP.		REF: 40-00-139	
320 BROAD HOLLOW RD., FARMINGDALE, NY 11735		SIZE	DWG. NO.
DESCRIPTION: KNDB, PENCIL		A	23480
		SCALE:	SHEET
		N/A	1 OF 1
		REV.	-