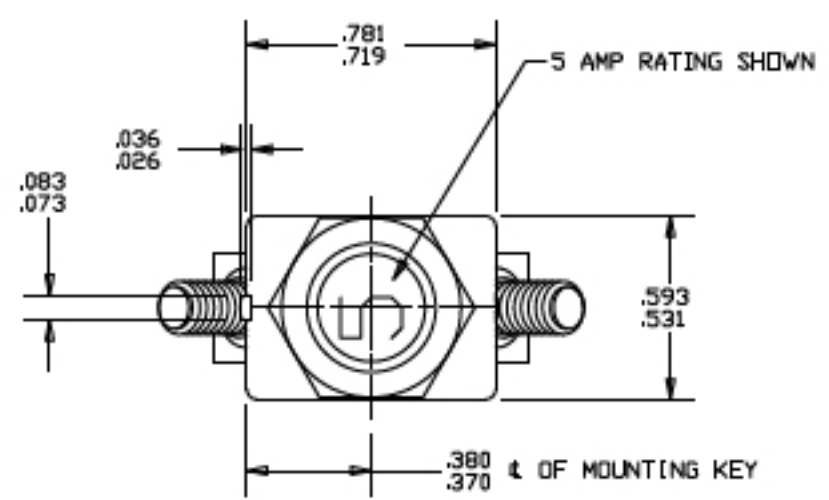


Property of
Sensata Technologies

ZONE	REV.	REVISION DESCRIPTION	ECN NO.	DATE
AG		SAE ASS8091 IN DETAIL PERFORMANCE LINE MAS ML-C-5806-RW	ECN-072725	17-JAN-2012



PERFORMANCE CHARACTERISTICS
PER UL 1077

DIELECTRIC STRENGTH ----- 1500VAC
 VOLTAGE WITHSTAND ----- 325VAC
 OVERLOAD CYCLING ----- 50 CYCLES AT 156% RATING

ENDURANCE:
 250VAC ----- 6000 CYCLES
 75VDC ----- 6000 CYCLES

SHORT CIRCUIT:
 1 THRU 25 AMP ----- 3500 AMPS
 250 VAC, 60 HZ ----- 1000 AMPS

DETAIL PERFORMANCE PER SAE ASS8091

OVERLOAD CYCLING ----- 100 CYCLES AT 200% RATING
 VIBRATION ----- 10 G'S MAXIMUM 50-500 HZ
 MECHANICAL SHOCK ----- 50 G'S
 ACCELERATION ----- 10 G'S
 SAND AND DUST ----- 12 HOURS
 CORROSION ----- SALT SPRAY 50 HOURS
 HUMIDITY ----- 10 DAYS
 EXPLOSION PROOF ----- WHOLE INTERRUPTING RUPTURE CURRENTS

ENDURANCE:

120 VAC	400 HZ INDUCTIVE	2500 CYCLES
400 HZ RESISTIVE		5000 CYCLES
30 VDC	INDUCTIVE	2500 CYCLES
	RESISTIVE	5000 CYCLES
MECHANICAL	NO LOAD	10000 CYCLES

CALIBRATION: 1 AMP THRU 25 AMP

	NON ULT. TRIP	MAX. ULT. TRIP	200%	500%	1000%
+25°C, -77°F	10% RATING	138% RATING	4-16 SEC.	4-16 SEC.	10-40 SEC.
-54°C, -65°F	10% RATING	165% RATING	7-25 SEC.	6-30 SEC.	15-70 SEC.
+25°C, +250°F	85% RATING	145% RATING	2-13 SEC.	25-50 SEC.	16-25 SEC.

RUPTURE:

1 THRU 15 AMP	120 VAC, 400 HZ	2500 AMPS
1 THRU 20 AMP	28 VDC	6000 AMPS
20 AMP	120 VAC, 400 HZ	2000 AMPS
25 AMP	120 VAC, 400 HZ	1800 AMPS
25 AMP	28 VDC	1625 AMPS

MAXIMUM OPERATING FORCES:

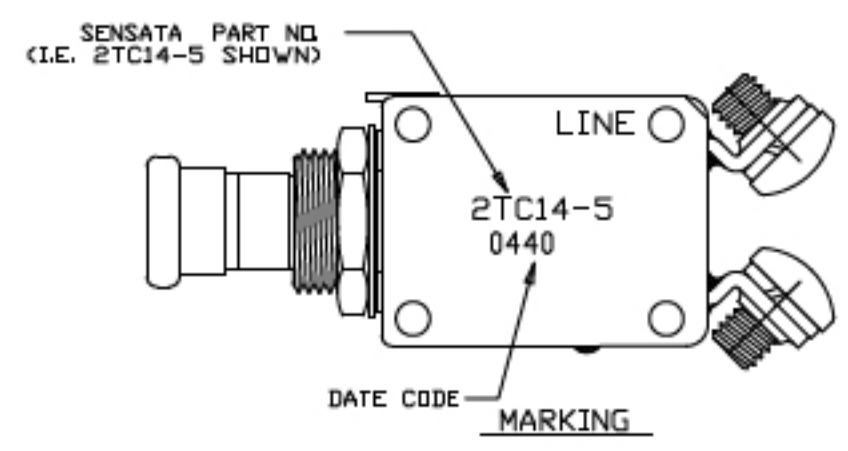
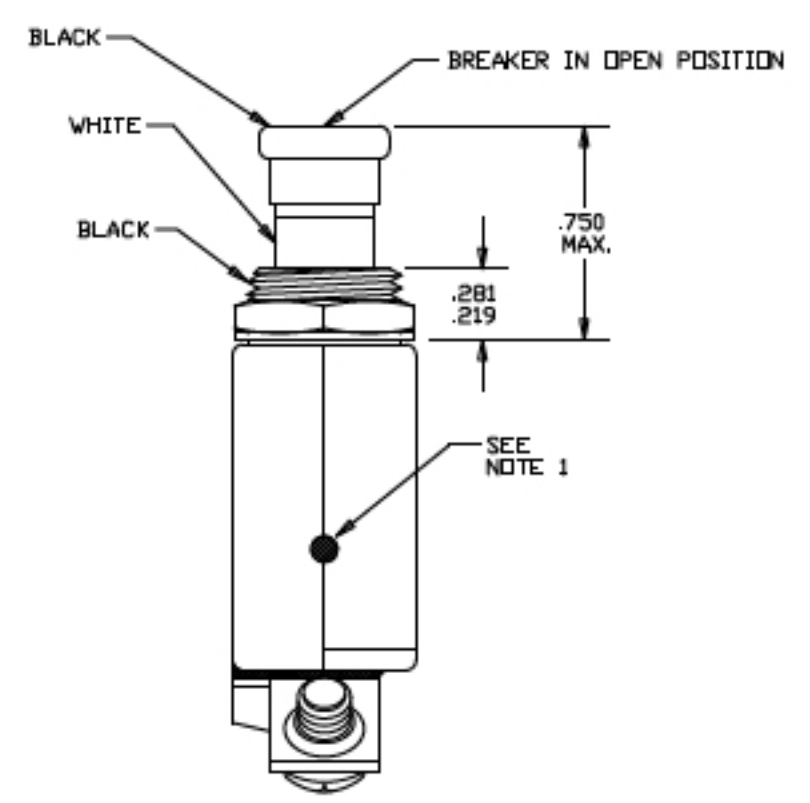
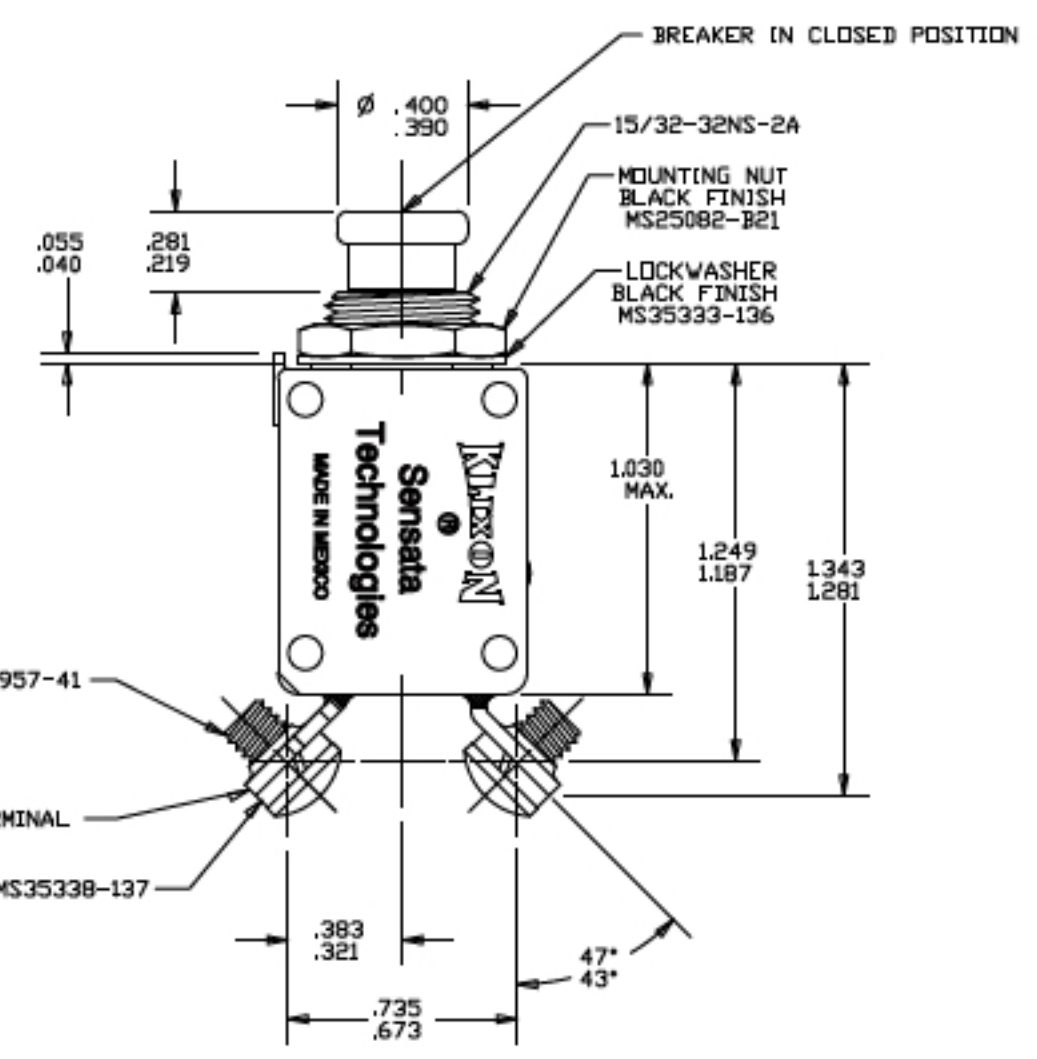
PULL OUT ----- 5 LBS MAX (222 N)
 RESET ----- 5 LBS MAX (222 N)

OPERATING ALTITUDE: 70,000 FT. (21,000 M)
 WEIGHT/MASS: 24.0 GRAMS MAX.; 22 GRAMS NOMINAL (649 LBS)

VOLTAGE DROP:

1 AMP	1.10 VOLTS MAX.
2 AMP	0.70 VOLTS MAX.
2.5 AMP	0.50 VOLTS MAX.
3 AMP	0.40 VOLTS MAX.
4 AMP	0.45 VOLTS MAX.
5 AMP	0.35 VOLTS MAX.
7.5 AMP	0.30 VOLTS MAX.
10 AMP	0.28 VOLTS MAX.
15 AMP	0.25 VOLTS MAX.
20 AMP	0.25 VOLTS MAX.
25 AMP	0.25 VOLTS MAX.

- NOTES:**
1. EPXY SURFACES ARE NON-DIMENSIONED, ENVELOPE DIMENSIONS DO NOT APPLY TO THESE PROJECTED EPXY SURFACES.
 2. TERMINAL AND MOUNTING HARDWARE MAY BE PACKAGED RATHER THAN INSTALLED.
 3. COUNTRY OF ORIGIN IS SHOWN FOR ILLUSTRATION PURPOSES ONLY, COUNTRY OF ORIGIN TO BE IDENTIFIED AS REQUIRED.
 4. DATE CODE PER 10588-285.
 5. MARK ON APPROXIMATE POSITION SHOWN IN BLACK INK PER 12556-78.



FOR REFERENCE ONLY, CHECK LATEST REVISION (DRAWING) USE PARTS MADE TO THIS PRINT MUST CONFORM TO ENGR REV. E		529 PLEASANT STREET P.O. BOX 2394 ATTLEBORO, MA 02703	
DRAWN: CHAS. FLEURANT DATE: 29-JUL-1995	ENGINEER: J.L. CISNOR DATE: 02-APR-1988	TITLE: PART NO 2TC14 AMBIENT COMPENSATED, HIGH TEMP. CIRCUIT BREAKER PUSH-PULL, TRIP FREE ENVELOPE DRAWING	REV. AG
DATE: _____ APPROVED: _____	DO NOT SCALE DRAWING	THIRD ANGLE PROJECTION	SCALE: 3:1 AUTOCAD SHEET 1 OF 1