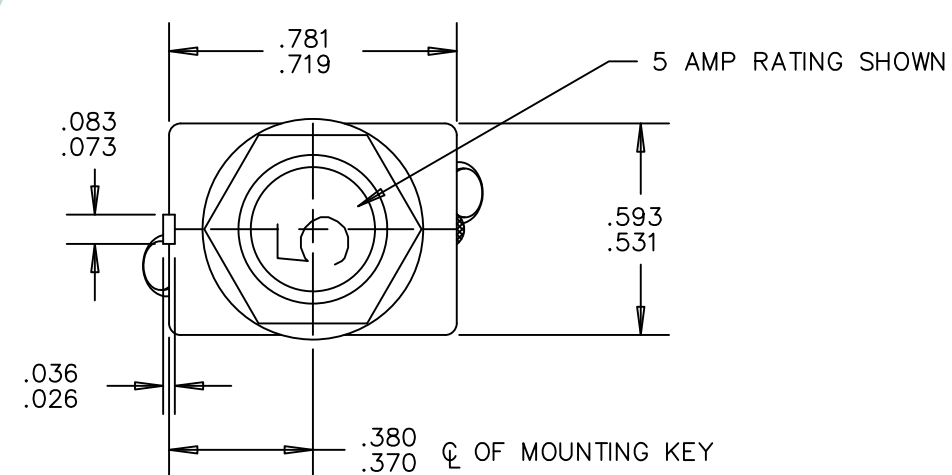


ZONE	REV.	REVISION DESCRIPTION	ECN NO.	DATE
C2	N	CALIBRATION "-55°C, -65°F" WAS "+121°C, +250°F"; GML	ECN0055724	26-OCT-2009

Property of
Sensata Technologies



PERFORMANCE CHARACTERISTICS

DETAIL PERFORMANCE PER MIL-C-5809 AND MS3320 "V"
 OVERLOAD CYCLING ----- 100 CYCLES AT 200% RATING
 VIBRATION ----- 10 G'S CONDITION "C" 55-2000 HZ AND 15 G'S CONDITION "B" 10-2000 HZ
 MECHANICAL SHOCK ----- 50 G'S
 ACCELERATION ----- 10 G'S
 SAND AND DUST ----- 12 HOURS
 CORROSION ----- SALT SPRAY 50 HOURS
 HUMIDITY ----- 10 DAYS
 EXPLOSION PROOF ----- WHILE INTERRUPTING RUPTURE CURRENTS

ENDURANCE:

120 VAC	400 HZ INDUCTIVE	2500 CYCLES
30 VDC	400 HZ RESISTIVE	5000 CYCLES
	INDUCTIVE	2500 CYCLES
	RESISTIVE	5000 CYCLES
	NO LOAD	10000 CYCLES

CALIBRATION: 1 AMP THRU 25 AMP

MIN. ULT. TRIP	MAX. ULT. TRIP	200%	500%	1000%
+25°C, +77°F	115% RATING	138% RATING	5-20 SEC.	.5-2.0 SEC.
-55°C, -65°F	115% RATING	160% RATING	7-40 SEC.	.6-3.0 SEC.
+121°C, +250°F	100% RATING	138% RATING	3-13 SEC.	.33-1.1 SEC.

RUPTURE:

1 AMP	120 VAC, 400 HZ	3500 AMPS
2 AND 2 1/2 AMP	120 VAC, 400 HZ	2800 AMPS
3 THRU 15 AMP	120 VAC, 400 HZ	2500 AMPS
20 AMP	120 VAC, 400 HZ	2000 AMPS
1 THRU 20 AMP	28 VDC	6000 AMPS
25 AMP	28 VDC	1625 AMPS
25 AMP	120 VAC, 400 HZ	1800 AMPS

MAXIMUM OPERATING FORCES
 PULL OUT ----- 5 LBS. MAX. (22.2 N)
 RESET ----- 5 LBS. MAX. (22.2 N)

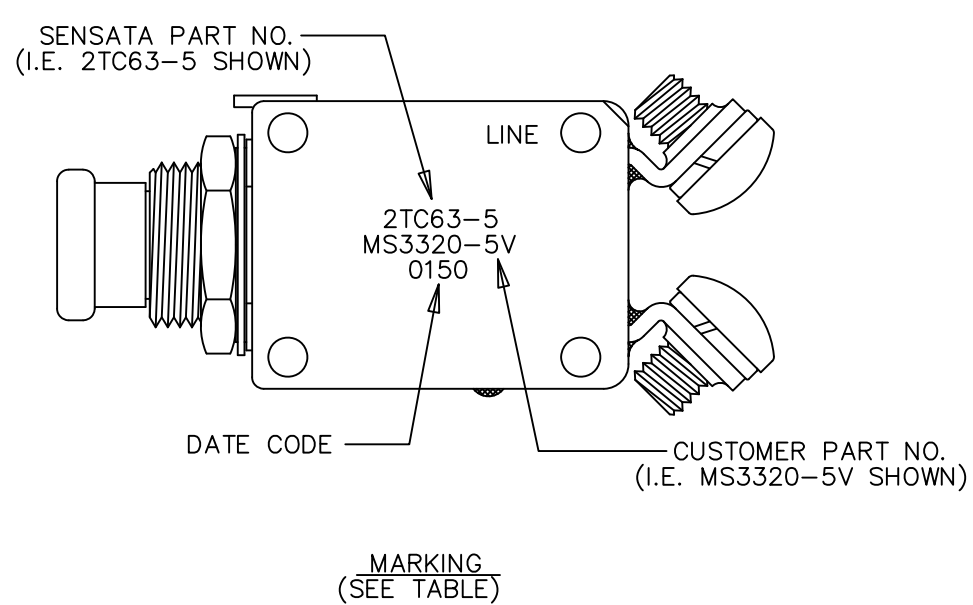
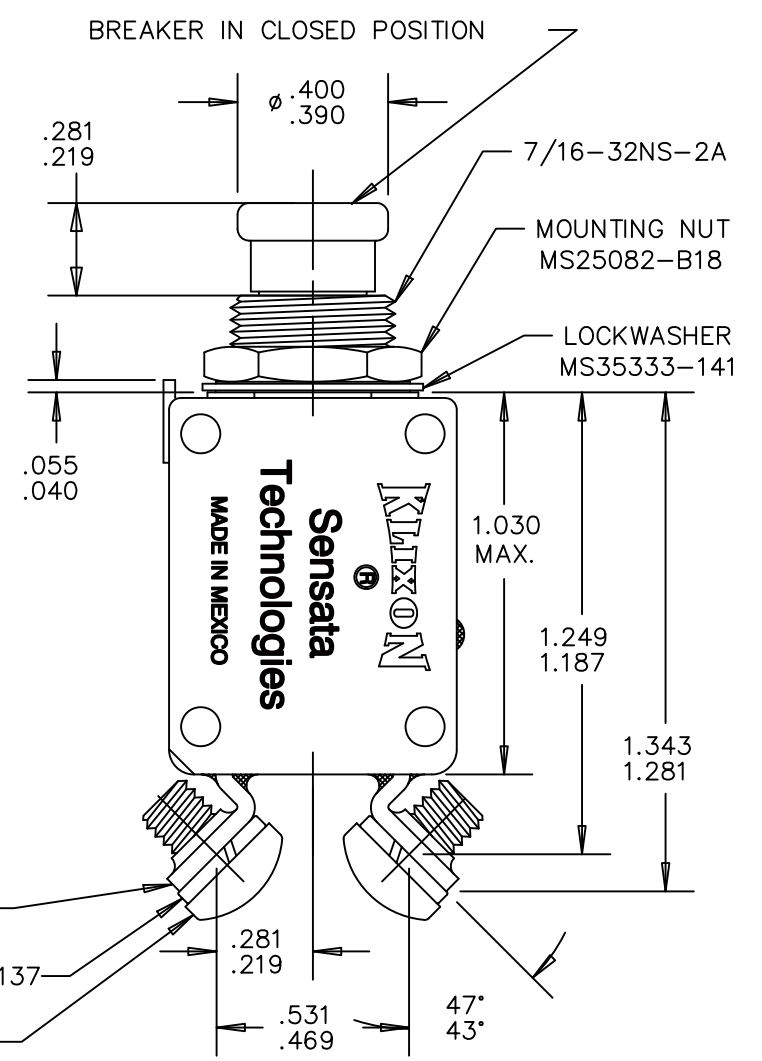
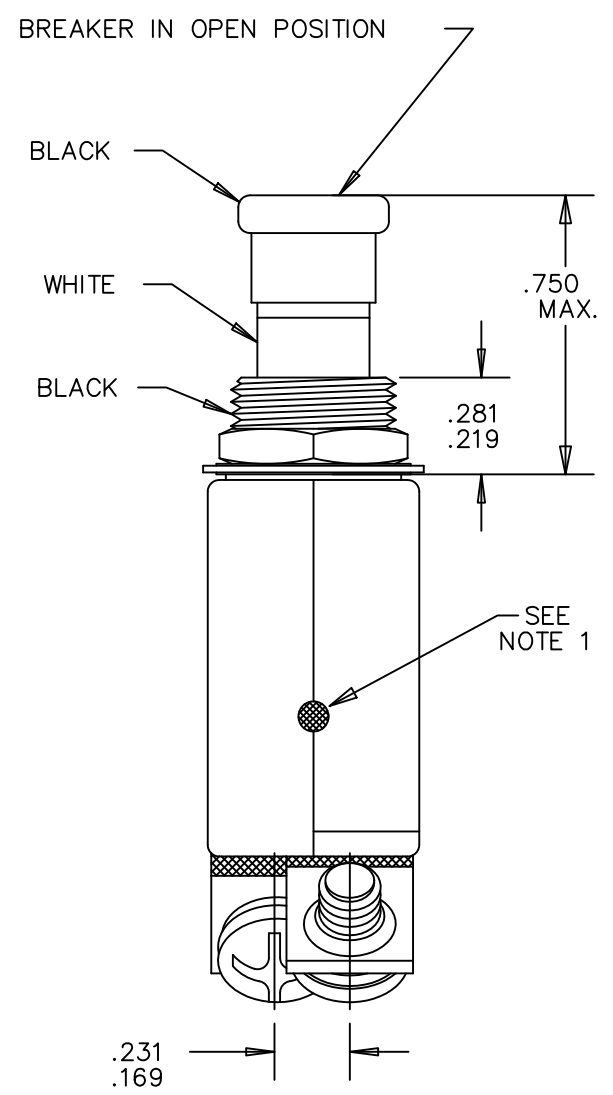
OPERATING ALTITUDE: 70,000 FT. (21,000 M)

WEIGHT: 25.0 GRAMS MAX.

VOLTAGE DROP:

1 AMP	1.10 VOLTS MAX.
2 AMP	0.70 VOLTS MAX.
2 1/2 AMP	0.50 VOLTS MAX.
3 AMP	0.40 VOLTS MAX.
4 AMP	0.37 VOLTS MAX.
5 AMP	0.35 VOLTS MAX.
7 1/2 AMP	0.30 VOLTS MAX.
10 AMP	0.28 VOLTS MAX.
15 AMP	0.25 VOLTS MAX.
20 AMP	0.25 VOLTS MAX.
25 AMP	0.20 VOLTS MAX.

- NOTES:
- EPOXY SURFACES ARE NON-DIMENSIONED, ENVELOPE DRAWING DIMENSIONS DO NOT APPLY TO THESE PROJECTED EPOXY SURFACES.
 - TERMINAL AND MOUNTING HARDWARE MAY BE PACKAGED RATHER THAN INSTALLED.
 - COUNTRY OF ORIGIN IS SHOWN FOR ILLUSTRATION PURPOSES ONLY. COUNTRY OF ORIGIN TO BE IDENTIFIED AS REQUIRED.
 - DATE CODE PER 10588-285.
 - MARK IN APPROXIMATE POSITION SHOWN IN BLACK INK PER 12506-70.



SENSATA PART NO.	MS PART NO.
2TC63-25	N/A
2TC63-20	MS3320-20V
2TC63-15	MS3320-15V
2TC63-10	MS3320-10V
2TC63-7 1/2	MS3320-7-1/2V
2TC63-5	MS3320-5V
2TC63-4	MS3320-4V
2TC63-3	MS3320-3V
2TC63-2 1/2	MS3320-2-1/2V
2TC63-2	MS3320-2V
2TC63-1	MS3320-1V

MARKING TABLE

FOR REFERENCE ONLY, CHECK LATEST REVISION BEFORE USE. PARTS MADE TO THIS PRINT MUST CONFORM TO E9898 REV. E		529 PLEASANT STREET P.O. BOX 2964 ATTLEBORO, MA 02703	
DRAWN TOM DAIL	DATE 30-OCT-1989	SENSATA TECHNOLOGIES PROPRIETARY AND CONFIDENTIAL. NEITHER THIS PRINT NOR THE INFORMATION CONTAINED HEREON IS TO BE USED AGAINST THE INTERESTS OF ANY OF ITS AFFILIATED COMPANIES OR WHOLLY OWNED SUBSIDIARIES.	
ENGINEER JACQUES CHAMMAS	DATE 04-DEC-1989	UNLESS OTHERWISE SPECIFIED DIMENSIONS ARE IN INCHES TOLERANCES DECIMALS ANGLES	
APPROVED	DATE	TITLE PART NO 2TC63 AMBIENT COMPENSATED, HIGH TEMP. CIRCUIT BREAKER PUSH-PULL, TRIP FREE ENVELOPE DRAWING	
DATE	APPROVED	SIZE C	DWG NO. 2TC63
DATE	APPROVED	SCALE 1:1	REV. N
		THIRD ANGLE PROJECTION	SHEET 1 OF 1