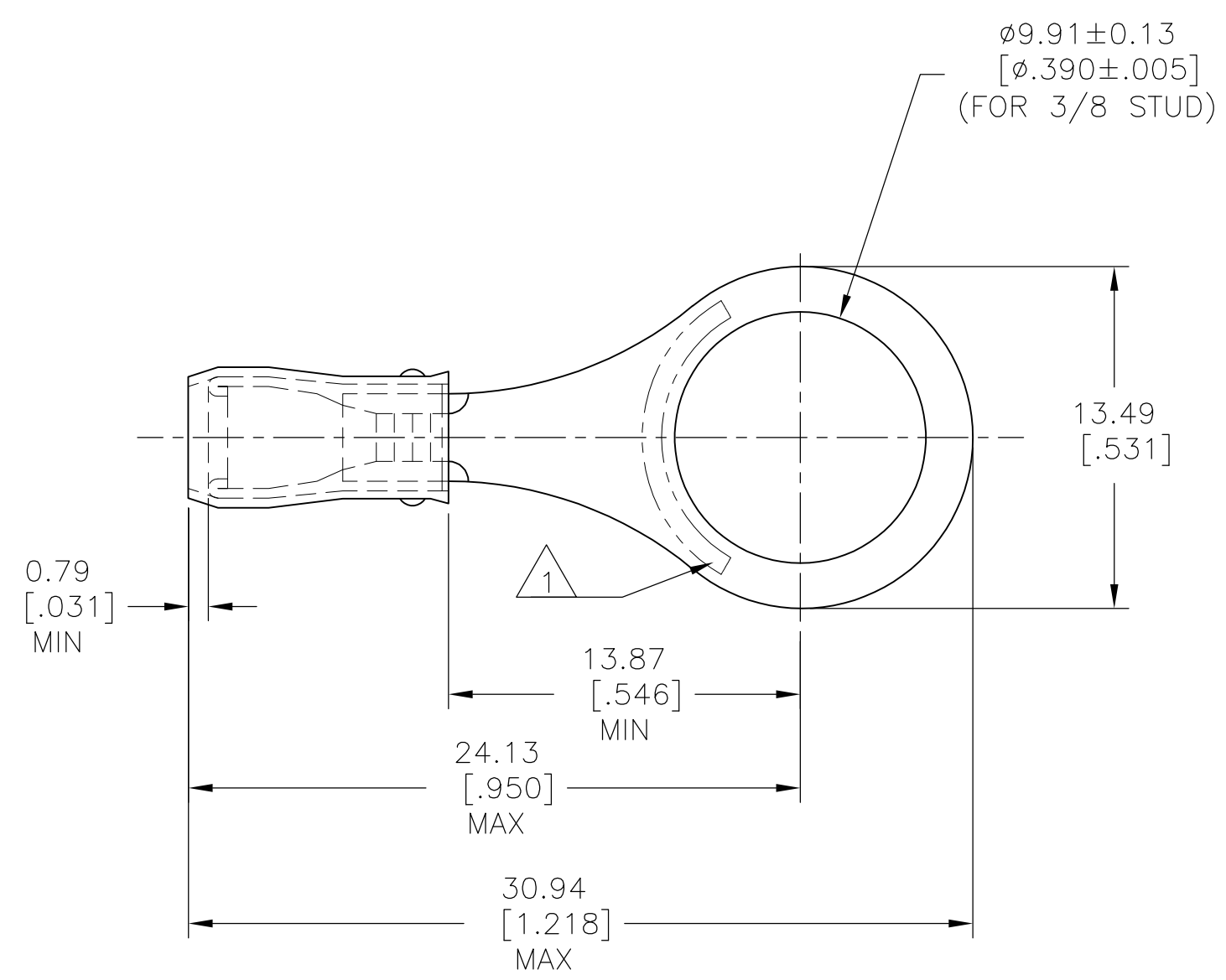


THIS DRAWING IS UNPUBLISHED. RELEASED FOR PUBLICATION  
 © COPYRIGHT - By - ALL RIGHTS RESERVED.

LOC	DIST	REVISIONS					
		P	LTR	DESCRIPTION	DATE	DWN	APVD
G	14		Y	REVISED PER ECO-14-015277	17FEB2015	NK	DR

<b>AMP</b> WIRE RANGE	E13288 Listed	LR7189 Certified
22-16 AWG SOLID OR STRANDED	22-16 AWG SOLID OR STRANDED	22-16 AWG SOLID OR STRANDED



- 1 STAMP AMP 22-18\* LOCATE APPROX AS SHOWN  
22-16 TERMINALS ARE STAMPED 22-18 IN  
ACCORDANCE WITH MILITARY SPEC MIL-T-7928  
COMMERCIAL WIRE RANGE IS 22-16.
- 2 WIRE INSUL DIA: 2.03[.080]-3.18[.125].
- 3 TONGUE MATERIAL THK: 0.79±0.05[.031±.002].

MILITARY P/N AND CLASS	QUANTITY	PACKAGE TYPE	PART NO
-	100	LOOSE PIECE, BOX	8-320573-1
MS 25036-105 CLASS 2	5000	ON TAPE	2-320573-4
MS 25036-105 CLASS 1 & 2	1000	LOOSE PIECE	320573

**AMP INCORPORATED  
CUSTOMER SERVICE SYSTEMS**

FOR ADDITIONAL PRODUCT INFORMATION OR COPIES OF DRAWINGS AND TECHNICAL DOCUMENTS  
 PRODUCT INFORMATION CENTER  
 1-800-522-6752

FOR APPLICATION TOOLING INFORMATION  
 TOOLING ASSISTANCE CENTER  
 1-800-722-1111

FOR ORDER ENTRY  
 1-800-526-5142

MAX RECOMMENDED OPERATING TEMPERATURE:  
 105°C[221°F] MAX

VOLTAGE RATING:  
 300 V MAX

CIRCULAR MIL AREA:  
 0.26-1.65mm (509-3,260) CIR MILS  
 SOLID OR STRANDED

THIS DRAWING IS A CONTROLLED DOCUMENT.

DIMENSIONS:  
 mm [INCHES]

TOLERANCES UNLESS OTHERWISE SPECIFIED:

0 PLC	± -
1 PLC	± -
2 PLC	± 0.20[.008]
3 PLC	± -
4 PLC ANGLES	± -

MATERIAL: COPPER PER ASTM B-152 SLEEVE, RED NYLON

FINISH: TIN PLATE PER ASTM B 545

DWN DK SCHRUM 9/93  
 CHK RE HERSEY 9/93  
 APVD ML ELLIS 9/93

**STE** TE Connectivity

NAME: TERMINAL, RING TONGUE, PIDG™, WIRE SIZE, 22-16 AWG

PRODUCT SPEC: UL 486A

APPLICATION SPEC: NOT AVAILABLE

WEIGHT: -

SIZE: A3 CAGE CODE: 00779 DRAWING NO: C-320573 RESTRICTED TO: -

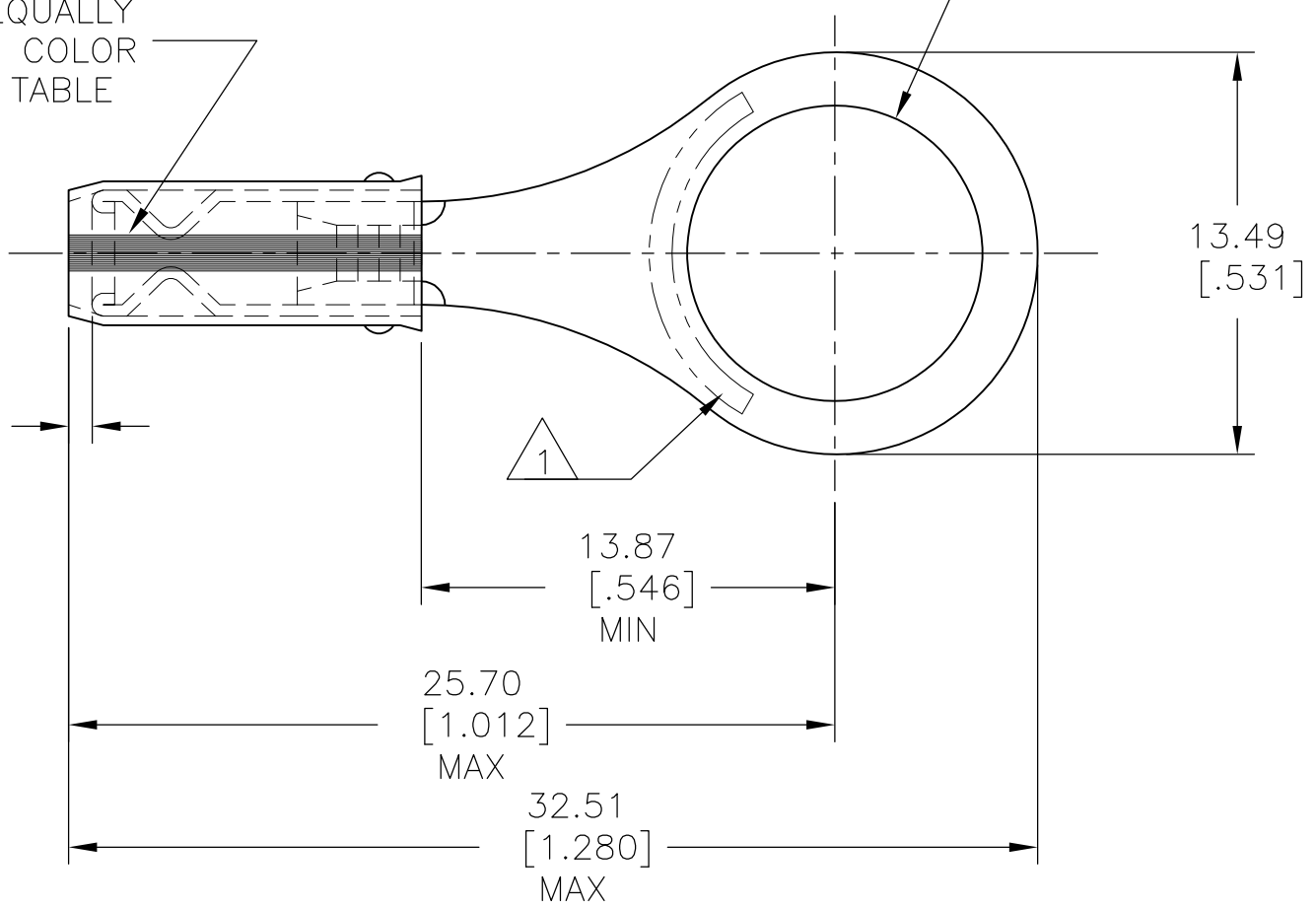
CUSTOMER DRAWING SCALE: 4:1 SHEET: 1 OF 2 REV: Y

THIS DRAWING IS UNPUBLISHED. RELEASED FOR PUBLICATION  
 © COPYRIGHT - By - ALL RIGHTS RESERVED.

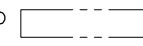
LOC	DIST	REVISIONS			
P	LTR	DESCRIPTION	DATE	DWN	APVD
G	14	-	SEE SHEET 1	-	-

3 STRIPES EQUALLY SPACED FOR COLOR CODE: SEE TABLE

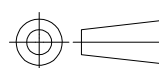
Ø9.91±0.13  
 [Ø.390±.005]  
 FOR 3/8 STUD



**AMP**  
 WIRE RANGE  
 SEE TABLE  
 STRANDED

- 1 STAMP AMP  LOCATE APPROX AS SHOWN SEE TABLE BELOW.
- 2 WIRE INSULATION DIA: 0.97-2.79 [.038-.110] FOR 22 AWG.  
 1.17-2.79 [.046-.110] FOR 20 AWG.  
 1.42-2.79 [.056-.110] FOR 18 AWG.
- 3 TONGUE MATERIAL THK: 0.79±0.05 [.031±.002].

M7928/1-36 CLASS 1 & 2	WHITE	18*	18	1000	LOOSE PIECE	2-320573-3
M7928/1-27 CLASS 1 & 2	RED	20*	20			2-320573-2
M7928/1-18 CLASS 1 & 2	GREEN	22*	22			2-320573-1
MILITARY P/N AND CLASS	STRIPE COLOR	1 STAMPING	WIRE SIZE	QTY	PACKAGE TYPE	PART NO

<b>AMP INCORPORATED CUSTOMER SERVICE SYSTEMS</b>		MAX RECOMMENDED OPERATING TEMPERATURE: 105°C [221°F] MAX	THIS DRAWING IS A CONTROLLED DOCUMENT.		DWN DK SCHRUM 9/93	<b>STE</b> TE Connectivity			
FOR ADDITIONAL PRODUCT INFORMATION OR COPIES OF DRAWINGS AND TECHNICAL DOCUMENTS	PRODUCT INFORMATION CENTER 1-800-522-6752	VOLTAGE RATING: 300 V MAX	DIMENSIONS: mm [INCHES]	TOLERANCES UNLESS OTHERWISE SPECIFIED:	CHK RE HERSEY 9/93				NAME
FOR APPLICATION TOOLING INFORMATION	TOOLING ASSISTANCE CENTER 1-800-722-1111	WIRE RANGE: 22 0.38mm² [754] 20 0.60mm² [1,186] 18 0.96mm² [1,900] STRANDED		0 PLC ± - 1 PLC ± - 2 PLC ± 0.20 [.008] 3 PLC ± - 4 PLC ± - ANGLES ± -	APVD ML ELLIS 9/93	TERMINAL, RING TONGUE, I.R., PIDG™, WIRE SIZE, 22-16 AWG			
FOR ORDER ENTRY	1-800-526-5142		MATERIAL COPPER PER ASTM B-152 SLEEVE, RED NYLON	FINISH TIN PLATE PER ASTM B 545	PRODUCT SPEC -	SIZE A3	CAGE CODE 00779	DRAWING NO C-320573	RESTRICTED TO -
CUSTOMER DRAWING					WEIGHT -	SCALE 4:1	SHEET 2 OF 2	REV Y	