



Schroff

EUROPACPRO RUGGED

Cabinets 1

Wall mounted cases 2

Accessories for cabinets and wall mounted cases . 3

Climate control . 4

Electronics cases 5

Subracks/ 19" chassis 6

Front panels, plug-in units ... 7

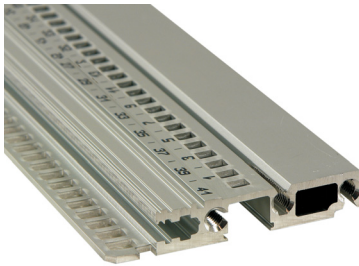
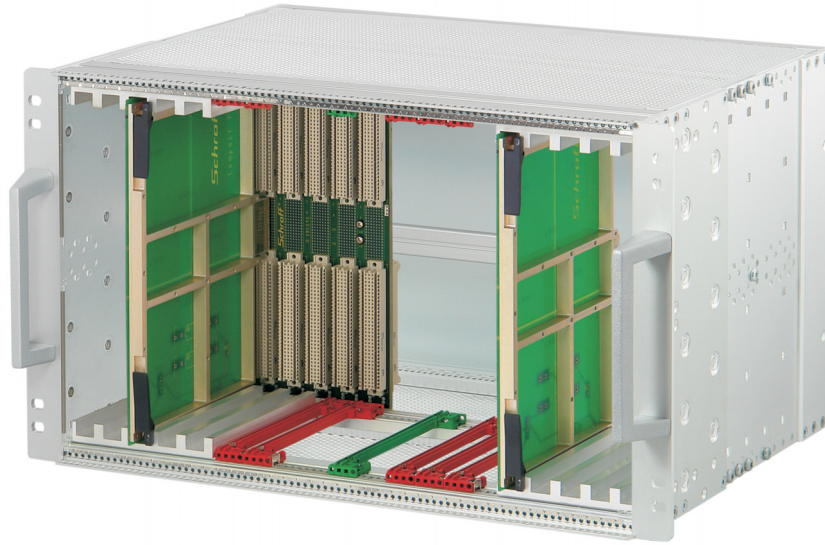
Systems 8

Power supply units 9

Backplanes ... 10

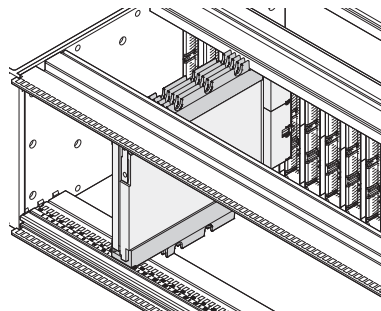
Connectors, front panel component system 11

Appendix 12



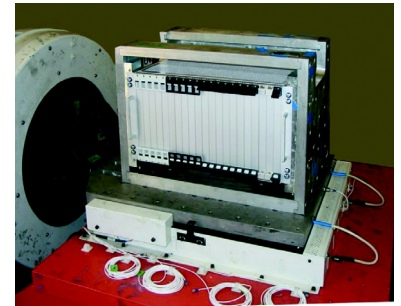
06112004

"rugged" horizontal rail with 3 hole fixing for increased stability (+60 % compared to 2 hole fixing of "heavy" horizontal rail)



06112052

Special adaptor rails allow conducted cooled assemblies to be fitted



Y-axis_001a1

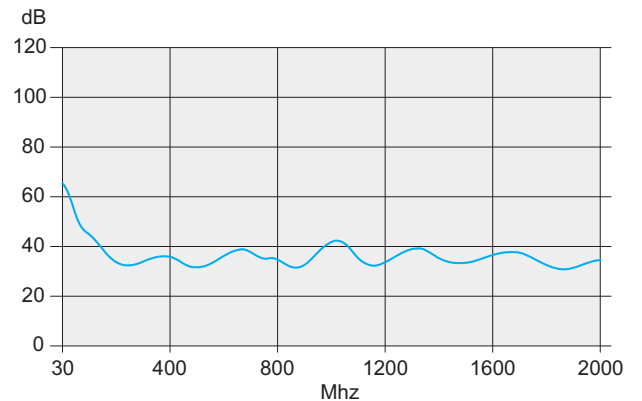
Shock and vibration resistant in all three axial directions

Standards/Approvals

- Internal and external dimensions in accordance with:
IEC 60297-3-100, -101, -102, -103, -104, -105, IEEE 1101.1, IEEE 1101.10/11
- Type of protection IP 20, in accordance with IEC 60529
- EMC testing to IEC 61587-3
- Shock and vibration test report; MIL 167, IEC 61587 DL 3, MIL 810 G, MIL 901

Note

- Other finishes e.g. yellow chromated on request
- Subrack with telescopic slides can be adapted for cabinet mounting on request



EMC curve

06108081

Subracks - *europacPRO* rugged

Overview 6.92

19" subracks

- Shock and vibration resistant up to 25 g
- Kits or individually configured subracks
- A product and accessory platform for the most different customers' requirements and applications
- Suitable for CompactPCI and VMEbus insertion and extractor handles
- EMC shielding can easily be retrofitted
- 3D PDF or CAD 3D data available for download

Introduction 6.4

Kits 6.94

Individual configuration ... 6.97

ServicePLUS 6.95
Application examples 6.71

europacPRO 6.6

Subracks for mobile railway applications 6.70

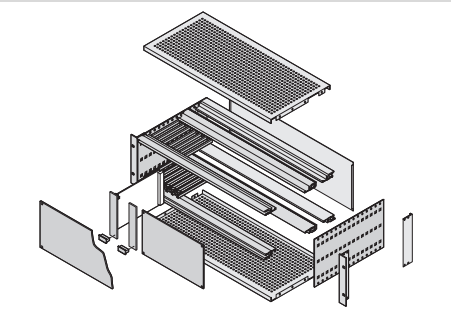
europacPRO for industrial applications 6.86



06112017

Kits

- All required parts are available under one part number, even partly assembled
- Most popular versions and dimensions available from stock
- For installed loads over 15 kg up to 60 kg
- Supplied as a space-saving flat pack



06105058

ServicePLUS individual configuration

- Single parts may individually be configured, respectively assembled on request (from quantity 1)
- Wide range of variants in height, width and depth
- Guide rails for different applications
- EMC shielding material to improve EMC performance
- Other accessories and assembly kits

ServicePLUS from page 6.95

- e.g. modification (cut-outs)
- e.g. downloads (CAD drawings, user manuals, test reports)
- e.g. custom solutions (special depths, electromagnetically shielded applications)

www.schroff.biz/ServicePLUS



30407004

Subracks - *europac* PRO rugged

Kit, rugged, shielded, for backplane mounting

- Subrack with robust side panel and horizontal rail, type R "rugged"
- Rear horizontal rail for backplane mounting with insulation strip
- Shielding typically 40 dB at 1 GHz, 30 dB at 2 GHz (as per VG 95373, part 15), on condition that the front is closed with sealed front panels
- Shock and vibration resistant to 25 g

NEW

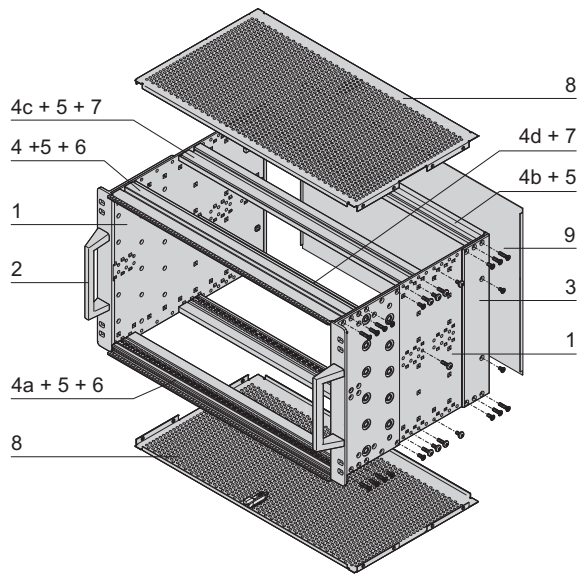


Illustration shows 3 U subrack

06112017

Delivery comprises (Kit)

Item	Qty		Description
	3 U	6 U	
1	2	2	Side panel type R, Al, 3 mm, clear passivated, with 19" support bracket 3.5 mm (tox-cold welded); for EMC gasketing (textile)
2	2	2	Front handle incl. fixing material kit
3	2	2	Rear corner profile for EMC gasketing (textile)
4	1	-	Front horizontal rail (R-KD)
4a	1	2	Front horizontal rail (R-LD)
4b	2	2	Rear horizontal rail (H-KD)
4c	2	2	Rear horizontal rail, centre (R-ST)
4d	-	1	Rear horizontal rail, centre (ST)
5	6	8	Threaded insert (pre-fitted)
6	2	2	Perforated strip (pre-fitted)
7	2	4	Insulation strip (pre-fitted)
8	2	2	EMC cover plate, rugged, with top cover locking
9	1	1	EMC rear panel
10	1	1	EMC gasketing material, fixing material kit, user manual



6 U

06112055

Order Information

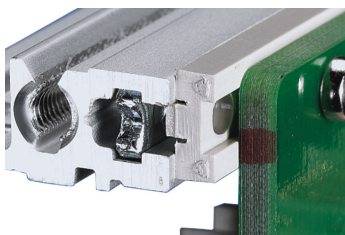
Height U	Width HP	Depth D mm	Depth D1 mm	Part no.
3	84	295	175	24567-149
6	84	295	175	24567-449

Accessories

Guide rails, accessories, 160 mm deep PBT, UL 94 V-0, red, groove width 2 mm, PU 10 pieces	24560-351
Torx panhead screw 2.5 × 9.3, zinc-plated, PU 100 pieces; torque max. 0.2 Nm	24560-141
ESD clip for guide rails PU 50 pieces	24560-255
Guide rail accessories for heavy PCBs, extra strong Al extrusion, groove width 2 mm, 160 mm deep, 1 piece (SPQ 10)	34562-881
Torx pan head screw 2.5 × 7.3, zinc flake coating, black, 100 pieces; torque max. 0.2 Nm	24560-157
Adaptor to accommodate conduction cooled assemblies (CCA) for VPX applications, 160 mm deep, PU 1 pair; includes fixing material kit	24566-004
Adaptor to accommodate conduction cooled assemblies (CCA) for CompactPCI applications, 160 mm deep, PU 1 pair; includes fixing material kit	24566-005
19" dual fixing materials kit suitable for a subrack with double fixing holes (bolts, washers and nuts), PU 1 kit	24566-109

06112054

D = overall depth, D1 = insertion depth,
D2 = board depth = D1 - 15 mm



Rear horizontal rail for backplane mounting with insulation strip

Note

- Test reports online
- For further accessories see from page 6.19

Subracks - *europac* **PRO** rugged ServicePLUS



configuration

Simple. Fast. To the ideal product.

Components can be varied and combined freely

- Configuration tables from page 6.96
- Online configuration: www.schroff.co.uk/configuration



assembly

Assembled by professionals. Double benefit!

Fitting of all mechanical, electrical and electronic components by our specialists

- Professional and reliable from quantity 1
- Ready for despatch within 5 working days



modification

Small changes. Large impact.

Custom drillings, cut-outs and special colours for off-the-shelf products

- Custom modifications from quantity 1
- Ready for despatch within 10 working days



solution

Simple. Fast. From one source.

Integration and custom developments

- Special sizes (depth and width)
- Individual heat dissipation concepts
- Ready for dispatch within 10 working days



express

When fast has to be faster.

Delivery time to customer's request

- Express logistics



academy

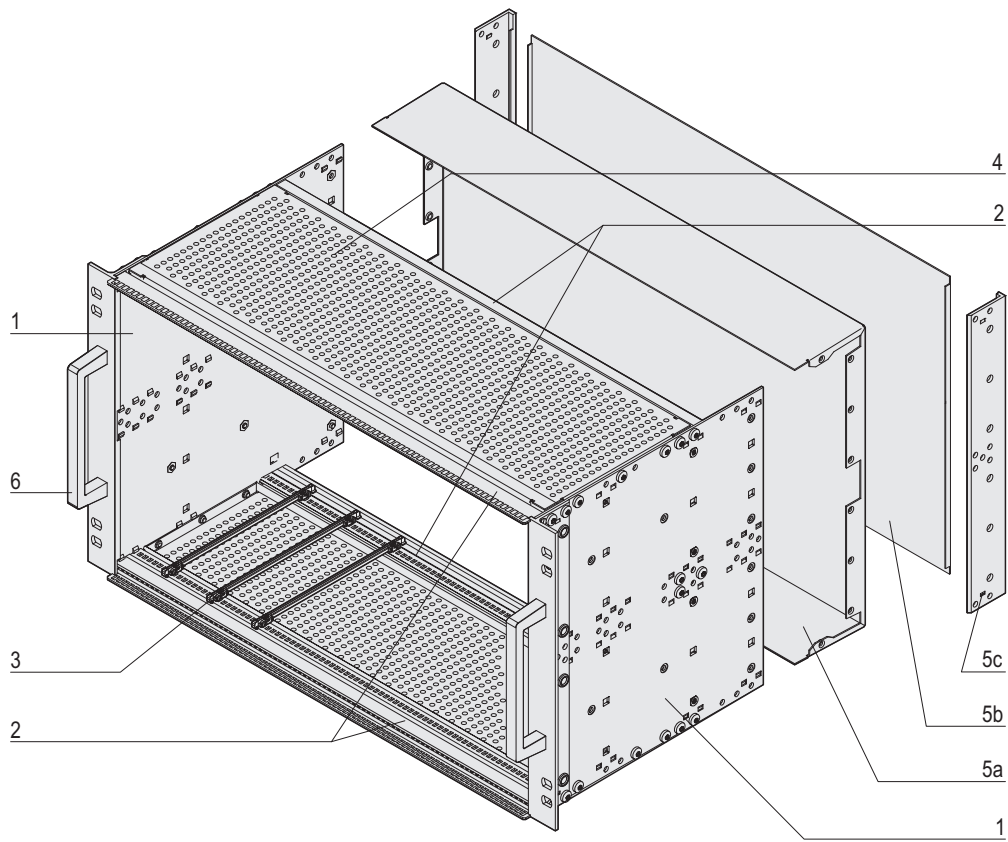
Knowledge. Sharing. Partnerships.

Knowledge transfer and partnership

- Seminars, CAD drawings, test reports, user reports

Subracks - *europac PRO* rugged ServicePLUS

Overview of individual components for shielded or unshielded subracks



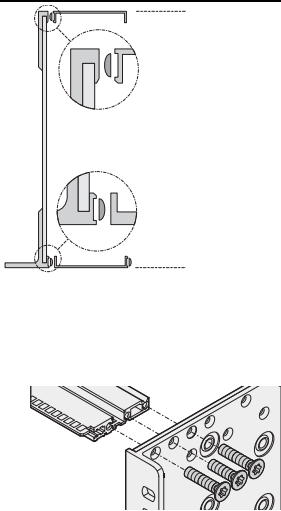
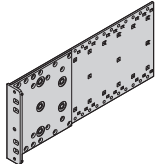
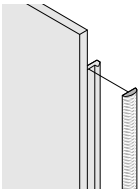
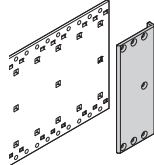
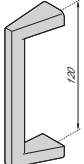
06108066

Item	Description	Description	page
Item 1	Side panels	Establish the height and depth of the subrack; Al, 3 mm, with universal hole positions for mounting of accessories	6.97
Item 2	Horizontal rails	Establish the width of the subrack; Al extrusion, with defined hole positions for guide rails, grooves for threaded inserts, M4 thread at front, functional rail shapes, basically differing with regard to their mechanical loading capacity: rugged loading up to 15 kg	6.98
Item 3	Guide rails	Guide rails act as interface between subracks and boards, for different board formats, are available in plastic or metal, optionally codable and optionally can be fitted with ESD clip to allow electrostatic discharge	6.105
Item 4	Cover plates	Provide mechanical protection and/or EMC shielding and are perforated	6.108
Item 5	Rear/front	Rear hood (5a) or front panel (5b) with corner profile (5c) as support for EMC shielding gaskets used in conjunction with shielded front panels; Note: rear hood and corner profile cannot be fitted simultaneously	6.49
Item 6	Handles	Handles can be mounted on the 19" brackets	6.97
-	EMC shielding (without illustration)	Extensive component range for specific shielding of subrack according to your application	6.110
-	Internal mounting (without illustration)	Universal assemblies, e.g. for horizontal and vertical mounting and for mounting plates	6.109 6.60

Subracks - *europac* **PRO** rugged ServicePLUS

Side panel type R, EMC sealing, corner profile, front handle

Order Information

		 06112059	 04602054	 06112058	 06112057
Height U	Depth mm	Side panel type R for textile gasket Side panel, Al 3 mm, tox-cold welded with 19" Al bracket, 3.5 mm with handle hole, clear passivated, front anodised; please order front handles separately	EMC textile gasket Textile gasket, core: foam, sleeve: textile cladding with CuNi coating, UL 94 V-0, temperature range -40 ... 70 °C	Corner profile, rugged Al extrusion, 3 mm, finish clear passivated; with lateral grooves for EMC stainless steel gasket; rear hood cannot be used simultaneously	Front handle Die-cast Al profile, powder-coated, RAL 9006; load-carrying capacity 30 kg, fixing material kit
		PU 1 pair	PU 10 pieces	PU 1 pair	PU 1 kit
3	175	24568-145	21101-853	24566-199	24566-010
3	235	24568-147			
3	275	24568-143			
3	277.75	24568-144			
3	295	24568-149			
3	355	24568-151			
6	175	24568-445	21101-855	24566-499	24566-010
6	235	24568-447			
6	275	24568-443			
6	277.75	24568-444			
6	295	24568-449			
6	355	24568-451			

Fixing material kits see page 6.103

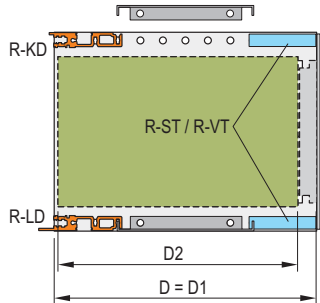
Side panel, type R

- For high mechanical demands up to 25 g (vibration resistance, shock and vibration requirements to e.g. IEC 61587-DL 3)
- 19" bracket is fixed firmly to side panel (tox-cold welded)
- Height 3 U and 6 U
- Depths 175, 235, 275, 277.75, 295 and 355 mm
- EMC shielding concept for front/rear with EMC textile gasket
- Other dimensions on request

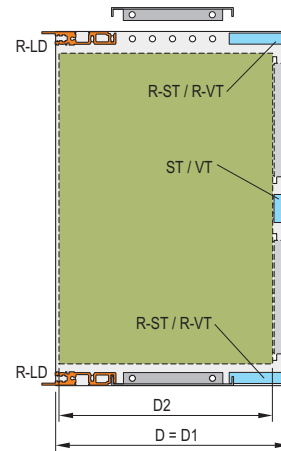
Subracks - *europac* **PRO** rugged ServicePLUS

Mounting position of horizontal rail/central rails

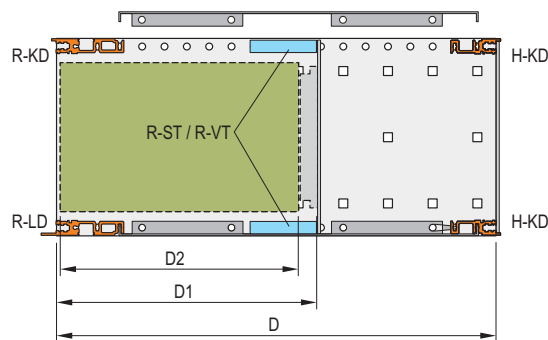
3 U (board depth 160, 220, 280 mm)



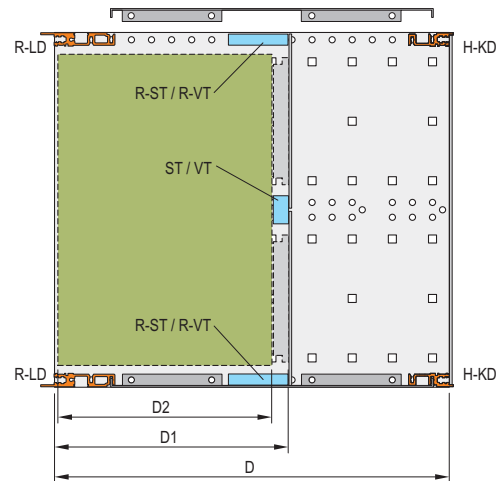
6 U (board depth 160, 220, 280 mm)



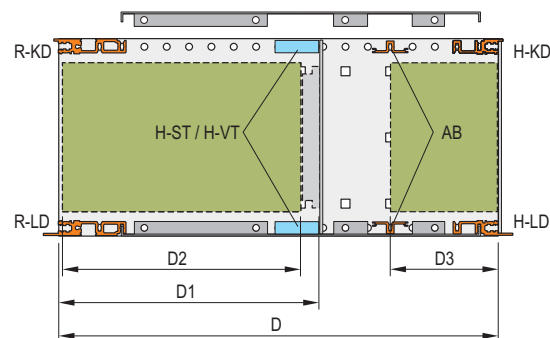
3 U (board depth 160, 220, 280 mm)



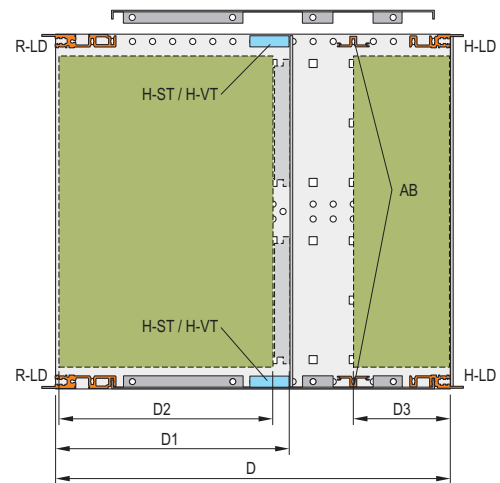
6 U (board depth 160, 220, 280 mm)



3 U (for CompactPCI/VME64x applications)



6 U (for CompactPCI/VME64x applications)



Horizontal rails

R-ST



06112070

R-VT



06112071

H-ST



06112072

H-VT



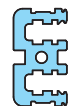
06112073

ST



06112074

VT

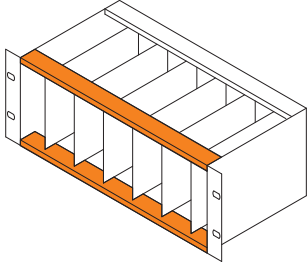
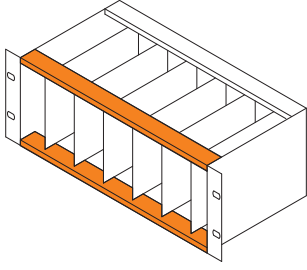
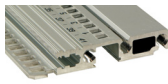



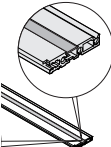


06112075

Subracks - *europac* **PRO** rugged ServicePLUS

Front horizontal rails

Order Information

		With long lip for insertion/ extraction of CompactPCI and VME64x boards	With long lip for insertion/ extraction of CompactPCI and VME64x boards	With short lip	With short lip
		<p>"rugged" Type R-LD long lip</p> 	<p>"heavy" Type H-LD long lip</p> 	<p>"rugged" Type R-KD short lip</p> 	<p>"heavy" Type H-KD short lip</p> 
<p>With HP markings from 28 HP, Al extrusion, anodised finish, conductive contact surface</p>		<p>Al extrusion, anodised finish, conductive contact surface, with HP markings</p>	<p>Al extrusion, anodised finish, conductive contact surface, with HP markings</p>	<p>Al extrusion, anodised finish, conductive contact surface, with HP markings</p>	<p>Al extrusion, anodised finish, conductive contact surface, with HP markings</p>
Usable length HP	Length mm	1 piece (SPQ 10) ¹⁾	1 piece (SPQ 10) ¹⁾	1 piece (SPQ 10) ¹⁾	1 piece (SPQ 10) ¹⁾
20	106.68	34566-320	34560-320	34566-220	34560-220
28	147.32	34566-328	34560-328	34566-228	34560-228
40	208.28	34566-340	34560-340	34566-240	34560-240
42	218.44	34566-342	34560-342	34566-242	34560-242
63	325.12	34566-363	34560-363	34566-263	34560-263
84	431.80	34566-384	34560-384	34566-284	34560-284
-	1000	34566-301	34560-301	34566-201	34560-201
<p>Cover strips to cover the horizontal rail perforations Al, untreated, 0.8 mm, length 431.5 mm, 1 piece (SPQ 10)</p> 		34566-184	-	34566-184	-
Threaded inserts see page		6.104	6.104	6.104	6.104
Fixing material kits see page		6.103	6.103	6.103	6.103

1) SPQ (standard pack quantity): Part number includes 1 piece, but delivery is exclusively made in standard pack quantity (SPQ);
please order at least the SPQ quantity or a multiple
"heavy" load > 7.5 kg; "rugged" load > 15 kg;

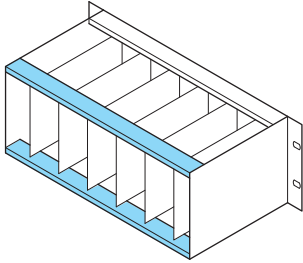

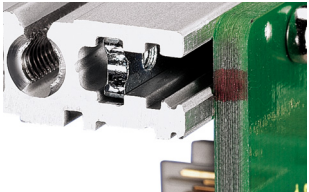






Note

- 1000 mm version without M4 thread to front,
without printing and without notch for 19"-bracket
- EMC gasket see page 6.56
- For further horizontal rails see page 6.29

Subracks - *europac* **PRO** rugged ServicePLUS

Rear horizontal rails

Order Information

 <p>06105074</p> <p>With HP markings from 28 HP, Al extrusion, anodised finish, conductive contact surface</p>	<p>For indirect backplane fixing with insulation strip</p>  <p>04400001</p>		<p>For direct backplane fixing</p>  <p>04400002</p>		<p>For direct fixing of connectors in accordance with EN 60603-2 (DIN 41612)</p>  <p>04400003</p>	
	<p>"rugged" Type R-ST Standard</p>  <p>06112005</p> <p>Al extrusion, anodised finish, conductive contact surface, with HP markings</p>	<p>"heavy" Type H-ST standard</p>  <p>06197011</p> <p>Al extrusion, anodised finish, conductive contact surface, with HP markings</p>	<p>"rugged" Type R-VT recessed installation</p>  <p>06112006</p> <p>Al extrusion, anodised finish, conductive contact surface, with HP markings</p>	<p>"heavy" Type H-VT recessed installation</p>  <p>06197013</p> <p>Al extrusion, anodised finish, conductive contact surface, with HP markings</p>	<p>"heavy" Type H-MZ with Z-rail</p>  <p>06197015</p> <p>Al extrusion, anodised finish, conductive contact surface, with HP markings</p>	
<p>Usable length HP</p>	<p>Length mm</p>	<p>1 piece (SPQ 10)¹⁾</p>	<p>1 piece (SPQ 10)¹⁾</p>	<p>1 piece (SPQ 10)¹⁾</p>	<p>1 piece (SPQ 10)¹⁾</p>	<p>1 piece (SPQ 10)¹⁾</p>
20	106.68	34566-520	34560-520	34566-720	34560-720	34560-920
28	147.32	34566-528	34560-528	34566-728	34560-728	34560-928
40	208.28	34566-540	34560-540	34566-740	34560-740	34560-940
42	218.44	34566-542	34560-542	34566-742	34560-742	34560-942
63	325.12	34566-563	34560-563	34566-763	34560-763	34560-963
84	431.80	34566-584	34560-584	34566-784	34560-784	34560-984
-	1000	34566-501	34560-501	34566-701	34560-701	-
Insulation strips see page		6.104	6.104	-	-	-
Threaded inserts see page		6.104	6.104	6.104	6.104	6.104
Fixing material kits see page		6.103	6.103	6.103	6.103	6.103

¹⁾ SPQ (standard pack quantity): Part number includes 1 piece, but delivery is exclusively made in standard pack quantity (SPQ); please order at least the SPQ quantity or a multiple
 "heavy" load > 7.5 kg; "rugged" load > 15 kg;

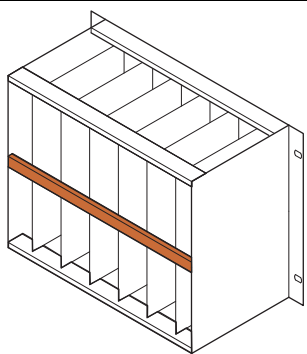
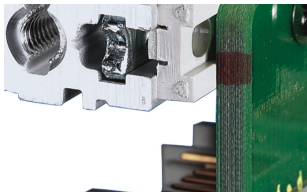

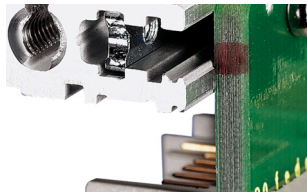


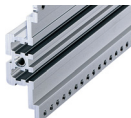
Note

- 1000 mm version without M4 thread to front, without printing and without notch for 19"-bracket
- EMC gasket see page 6.56
- For further horizontal rails see page 6.29

Subracks - *europac* **PRO** rugged ServicePLUS

Rear horizontal rails, centre, for 6 U

Order Information

 <p>06108090</p>	<p>For indirect backplane fixing with insulation strip</p>  <p>04400001</p> <p>Type ST</p>  <p>06197016</p> <p>Al extrusion, finish anodised, conductive contact surface; without markings</p> <p>1 piece (SPQ 10)¹⁾</p>	<p>For direct backplane fixing</p>  <p>04400002</p> <p>Type VT</p>  <p>06197017</p> <p>Al extrusion, finish anodised, conductive contact surface; without markings</p> <p>1 piece (SPQ 10)¹⁾</p>	<p>For direct fixing of connectors in accordance with EN 60603-2 (DIN 41612)</p>  <p>04400003</p> <p>Type MZ</p>  <p>06197018</p> <p>Al extrusion, finish anodised, conductive contact surface; without markings</p> <p>1 piece (SPQ 10)¹⁾</p>																																																						
	<table border="1"> <thead> <tr> <th>Usable length HP</th> <th>Length mm</th> <th></th> <th></th> <th></th> </tr> </thead> <tbody> <tr> <td>20</td> <td>106.68</td> <td>34561-020</td> <td>34561-120</td> <td>34561-220</td> </tr> <tr> <td>28</td> <td>147.32</td> <td>34561-028</td> <td>34561-128</td> <td>34561-228</td> </tr> <tr> <td>40</td> <td>208.28</td> <td>34561-040</td> <td>34561-140</td> <td>34561-240</td> </tr> <tr> <td>42</td> <td>218.44</td> <td>34561-042</td> <td>34561-142</td> <td>34561-242</td> </tr> <tr> <td>63</td> <td>325.12</td> <td>34561-063</td> <td>34561-163</td> <td>34561-263</td> </tr> <tr> <td>84</td> <td>431.80</td> <td>34561-084</td> <td>34561-184</td> <td>34561-284</td> </tr> <tr> <td>-</td> <td>1000</td> <td>34561-001</td> <td>34561-101</td> <td>34561-201</td> </tr> <tr> <td>Insulation strips see page</td> <td></td> <td>6.104</td> <td>-</td> <td>-</td> </tr> <tr> <td>Threaded inserts see page</td> <td></td> <td>6.104</td> <td>6.104</td> <td>6.104</td> </tr> <tr> <td>Fixing material kits see page</td> <td></td> <td>6.103</td> <td>6.103</td> <td>6.103</td> </tr> </tbody> </table>	Usable length HP	Length mm				20	106.68	34561-020	34561-120	34561-220	28	147.32	34561-028	34561-128	34561-228	40	208.28	34561-040	34561-140	34561-240	42	218.44	34561-042	34561-142	34561-242	63	325.12	34561-063	34561-163	34561-263	84	431.80	34561-084	34561-184	34561-284	-	1000	34561-001	34561-101	34561-201	Insulation strips see page		6.104	-	-	Threaded inserts see page		6.104	6.104	6.104	Fixing material kits see page		6.103	6.103	6.103	
Usable length HP	Length mm																																																								
20	106.68	34561-020	34561-120	34561-220																																																					
28	147.32	34561-028	34561-128	34561-228																																																					
40	208.28	34561-040	34561-140	34561-240																																																					
42	218.44	34561-042	34561-142	34561-242																																																					
63	325.12	34561-063	34561-163	34561-263																																																					
84	431.80	34561-084	34561-184	34561-284																																																					
-	1000	34561-001	34561-101	34561-201																																																					
Insulation strips see page		6.104	-	-																																																					
Threaded inserts see page		6.104	6.104	6.104																																																					
Fixing material kits see page		6.103	6.103	6.103																																																					

1) SPQ (standard pack quantity): Part number includes 1 piece, but delivery is exclusively made in standard pack quantity (SPQ); please order at least the SPQ quantity or a multiple
 "heavy" load > 7.5 kg; "rugged" load > 15 kg;

Note

- All horizontal rails without printed markings
- 1000 mm version without M4 thread to front

Subracks - *europac PRO* rugged ServicePLUS

Horizontal rails (type AB) for rear I/O applications

Order Information

06108069

For CompactPCI in rear I/O area

06108009

Type AB

06197019

Al extrusion, finish anodised, conductive contact surface;
horizontal rail type AB (AB = support) is required to fix
the guide rails for the 80 mm rear I/O boards;
without markings

1 piece (SPQ 10)¹⁾

Usable length HP	Length mm	
20	106.68	34561-520
28	147.32	34561-528
40	208.28	34561-540
42	218.44	34561-542
63	325.12	34561-563
84	431.80	34561-584
-	1000	34561-501
Fixing material kits see page		6.103

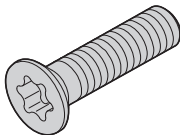
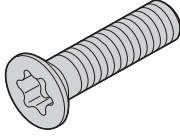
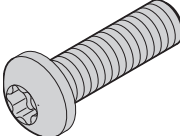
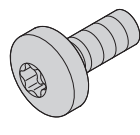
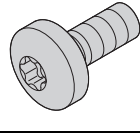
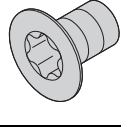
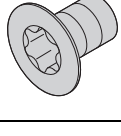
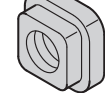
¹⁾ SPQ (standard pack quantity): Part number includes 1 piece, but delivery is exclusively made in standard pack quantity (SPQ); please order at least the SPQ quantity or a multiple
"heavy" load > 7.5 kg; "rugged" load > 15 kg;

Note

- All horizontal rails without printed markings
- 1000 mm version without M4 thread in end

Subracks - *europac* **PRO** rugged ServicePLUS

Screws overview

	Description	Material	Dimension	Qty/PU	Part no.
 06712051	Countersunk screw, with thread locking compound Application: Rugged side panel to horizontal rail; for area of tox-cold welded brackets and corner profiles except when guide rail is fitted to slot 1	Stainless steel	M4 x 18	100	24566-100
 06712051	Countersunk screw, with thread locking compound Application: Rugged side panel to horizontal rail; for area of tox-cold welded brackets and corner profiles if guide rail is fitted to slot 1	Stainless steel	M4 x 14	100	24566-101
 aza45940	Panhead screw, with thread locking compound Application: Rugged side panel to horizontal rail; not for area of tox-cold welded brackets and corner profiles except when guide rail is fitted to slot 1	Stainless steel	M4 x 14	100	24566-102
 06712053	Panhead screw, with thread locking compound Application: Rugged side panel to horizontal rail; not for area of tox-cold welded brackets and corner profiles if guide rail is fitted to slot 1	Stainless steel	M4 x 10	100	24566-103
 06712053	Panhead screw, with thread locking compound Application: Rugged side panel to cover plate, not for area of tox-cold welded brackets and corner profiles	Stainless steel	M4 x 8	100	24566-104
 06708053	Torx countersunk screw, with thread locking compound Application: : Rugged side panel to cover plate, for area of tox-cold welded brackets and corner profiles	Stainless steel	M4 x 10	100	24566-106
 06708053	Torx countersunk screw, with thread locking compound Application: Rugged side panel to corner profile; in EMC-shielded subracks and to increase robustness	Stainless steel	M4 x 7	100	24566-105
 AZA45921	Square nut Application: Rugged side panel to corner profile; in EMC-shielded subracks and to increase robustness	Zinc-plated steel	M4	100	24560-140

Note

- Stainless steel screws; with organic surface layer (silver)

Subracks - *europac* PRO rugged

Threaded inserts, perforated strips, insulation strips

Order Information

Usable length HP	Threaded insert		Perforated strip		Insulation strip		
	Length mm	1 piece (SPQ 10) ¹⁾	1 piece (SPQ 10) ¹⁾	Length mm	1 piece (SPQ 10) ¹⁾	Length mm	PU 10 pieces
20	106.18	34561-320	-	106.48	30845-189	101.50	24560-820
28	146.82	34561-328	-	147.12	30845-197	144.20	24560-828
40	207.78	34561-340	-	208.08	30845-209	205.12	24560-840
42	217.94	34561-342	-	218.24	30845-211	210.40	24560-842
63	324.62	34561-363	-	324.92	30845-232	316.88	24560-863
84	431.30	34561-384	34561-484	431.60	30845-253	428.64	24560-884
196	1000.26	34565-196	-	1000.26	34565-396	-	-

Accessories

Grub screw M2.5 x 8, PU 100 pieces	21100-276	-	-	-	-	-
Grub screw M2.5 x 9, PU 100 pieces	-	-	-	21101-359	-	-
Grub screw M3 x 8, PU 100 pieces	-	21100-646	-	-	-	-

1) SPQ (standard pack quantity): Part number includes 1 piece, but delivery is exclusively made in standard pack quantity (SPQ); please order at least the SPQ quantity or a multiple

Part no. includes one packing unit (PU); delivery is exclusively made in PU

19" dual fixing materials kit

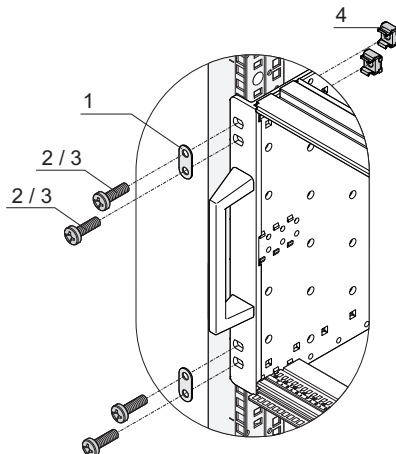
- For fixing a subrack with dual fixing holes to 19" mounting brackets (e.g. rugged and railroad subracks)

Delivery comprises

Item	Qty	Description
1	4	Double washer, stainless steel
2	8	M6 x 16 (Torx 30 drive)
3	8	M6 x 16 (Pozidrive)
4	8	Cage nut KM6
1	4	User manual

Order Information

Description	Part no.
19" dual fixing materials kit	24566-109




06113052

Subracks - *europac* PRO rugged

Adaptor to accommodate conduction cooled assemblies (CCA)

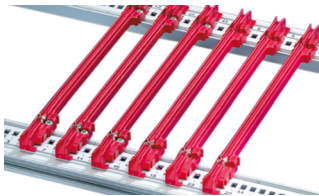
Order Information

Adaptor to accommodate conduction cooled assemblies (CCA) in subracks		
		
Al die-cast, silver, can be screw-fixed, 0.8" pitch; suitable for heavy and rugged horizontal rails, incl. fixing material kit		
Board length	VPX	CompactPCI
mm	PU 1 pair	PU 1 pair
160	24566-004	24566-005

2) Part no. includes one packing unit (PU); delivery is exclusively made in PU

Guide rails for plug-in units and frame type plug-in units, one-piece, groove width 2 mm and 2.5 mm

Order Information

Assembly			For plug-in units and frame type plug-in units "Standard"	
Plastic guide rail - can be clipped into Al extruded horizontal rails - can be clipped into 1.5 mm thick plates				
Storage temperature from -40 °C ... 130 °C				
Board length	Groove width	Colour	up to 220 mm length, PBT, UL 94 V-0; from 280 mm length, multi-piece, end piece PBT, UL 94 V-0, central section Al extrusion PU 10 pieces²⁾	PBT, UL 94 V-0 1 piece (SPQ 50)¹⁾
mm	mm	mm		
70	2	red	-	34579-230
70	2	grey	-	34579-231
160	2	red	24560-351	64560-001
220	2	red	24560-353	64560-002
280	2	red	24560-379	-
340	2	red	24560-380	-
160	2.5	red	-	64560-096
220	2.5	red	-	64560-098

Accessories

Retention screw, PU 100 pieces; Torque max. 0.2 Nm		24560-141	24560-141
ESD clip, PU 50 pieces		24560-255	24560-255

1) SPQ (standard pack quantity): Part number includes 1 piece, but delivery is exclusively made in standard pack quantity (SPQ); please order at least the SPQ quantity or a multiple

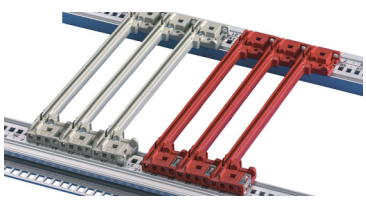
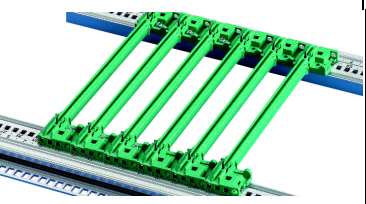
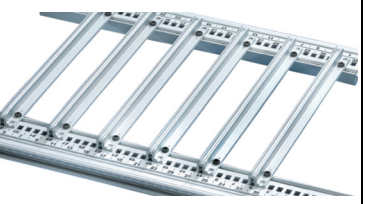
2) Part no. includes one packing unit (PU); delivery is exclusively made in PU

Description of accessories see from page 6.107

Subracks - *europac* **PRO** rugged ServicePLUS

Guide rails for heavy assemblies, CompactPCI, VME64x

Order Information

Assembly - can be clipped into Al extruded horizontal rails - can be clipped into 1.5 mm thick plates Storage temperature from -40 °C ... 130 °C			For CompactPCI, VME64x with coding In accordance with IEEE 1101.10 and IEC 60297-3-103  06106001 One-piece for groove width 2 mm, PBT, UL 94 V-0; multi-piece for groove width 2.5 mm, end piece PBT, UL 94 V-0, middle section Al extrusion	Offset 0.1" for power supply units in accordance with IEEE 1101.10 and IEC 60297-3-103  06106002 PBT, UL 94 V-0, for installation of power supplies in CompactPCI systems or plug-in units with SMD placement	For heavy modules, Al extrusion, silver, robust version  06102005 Al extrusion; is screwed to horizontal rail "heavy" with retention screws
Board length mm	Groove width mm	Colour mm	PU 10 pieces ²⁾	PU 10 pieces ²⁾	1 piece (SPQ 10) ¹⁾
70	2	red	24560-355	-	-
70	2	grey	24560-360	-	-
160	2	red	24560-356	-	-
160	2	grey	24560-358	-	34562-881
160	2	green	-	24560-359	-
220	2	grey	-	-	34562-882
220	2	green	-	-	34562-883
160	2.5	grey	-	-	34564-881
220	2.5	red	24561-330	-	-
220	2.5	grey	24561-340	-	34564-882
280	2.5	red	24561-331	-	-
280	2.5	grey	24561-341	-	34564-883

Accessories

ESD clips, PU 50 pieces	24560-255	-	-
ESD clips, for alignment pin, PU 50 pieces	24560-256	24560-256	-
Retention screw, PU 100 pcs.; torque max. 0.2 Nm	24560-141	24560-141	24560-157
Coding peg, PU 100 pieces	20817-501	20817-501	-

1) SPQ (standard pack quantity): Order number includes 1 piece, but delivery is exclusively made in standard pack quantity (SPQ); please order at least the SPQ quantity or a multiple thereof

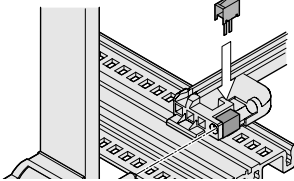
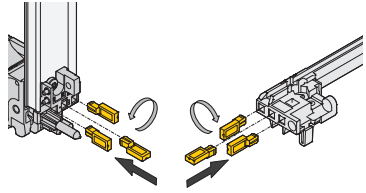
2) Order number includes one packaging unit (PU); delivery is exclusively made in PU

Description of accessories see from page 6.107

Subracks - europac PRO rugged ServicePLUS

Guide rail accessories

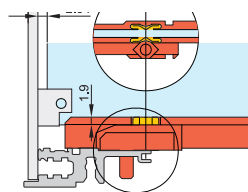
Order Information

	<p>ESD clips, CompactPCI/VME 64 alignment pin for guide rails</p>  <p>06103052</p> <p>Spring steel, tin-plated, ESD clip, for alignment pin in accordance with IEEE; can be plugged into the guide rails with coding and into the keying/coding block; provides conductive contact between the guide pin of the inserter/ extractor handle (IEL or IET handle) and the horizontal rail</p> <p>PU 50 pieces²⁾</p>	<p>Coding for plug-in components</p> <p>Keying/coding for CompactPCI, VME64x handles to IEEE 1011.10 and IEC 60297-3-103</p>  <p>04612052</p> <p>Keying/coding peg, PBTP, UL 94 V-0, RAL 7035: The keying/coding pegs prevent plug-in units to be mounted in wrong slots. They are inserted in the chambers of the codable card guides as well as in the insertion/extraction handles IEL or IET (4 possible positions), resulting in 64 codings per card guide; when coding the upper and lower card guide, 4096 codings will result;</p> <p>PU 100 pieces²⁾</p>
<p>Assembly At the top/ at the bottom</p>	<p>24560-256</p>	<p>20817-501</p>

2) Part no. includes one packing unit (PU); delivery is exclusively made in PU

Guide rail accessories

Order Information

	<p>ESD clip for guide rails</p>  <p>04503050</p> <p>Spring steel, tin-plated, ensures conductive contact between board and horizontal rail, on both the solder side and the component side</p> <p>Colour silver</p> <p>PU 50 pieces</p>
<p>Assembly above/below</p>	<p>24560-255</p>

Subracks - *europac PRO* rugged ServicePLUS

Cover plates for bolting to rugged side panel

Order Information

			<p>Cover plate for bolting to side panel</p> <p>Perforated Al plate, 1.2 mm, hole diameter 4.0 mm, passivated, perforation ratio 58 %, incl. retention screws;</p> <p>4 stainless steel EMC contact strips per subrack are required for shielding, please order separately</p> <p>06112054</p>		<p>Stainless steel EMC gasket, between cover plate and horizontal rail</p> <p>Stainless steel EMC gasket, clips into the horizontal rail and forms the contact with the cover plate; suitable for all horizontal rails</p> <p>06106052</p>	
Width HP	Depth D mm	Application	PU 1 pair	PU 10 pieces	PU 100 pieces	
84	175	160 mm board depth (D2)	24568-004	24560-245	24560-246	
84	235	220 mm board depth (D2)	24568-008			
84	295	280 mm board depth (D2)	24568-012			
84	275	160 mm board depth (D2) CompactPCI, 80 mm rear I/O	24568-032			
84	277.75	160 mm board depth (D2) CompactPCI, 80 mm rear I/O	24568-036			
84	295	160 mm board depth (D2), approx. 120 mm clearance behind backplane	24568-016			
84	355	220 mm board depth (D2), approx. 120 mm clearance behind backplane	24568-020			

Accessories

Cover plate latch, additional securing for rugged cover plate, PU 4 pieces	24566-007	-	-
Assembly tool, to fit EMC gasket, stainless steel, for horizontal rails, 1 piece	-	24560-271	24560-271

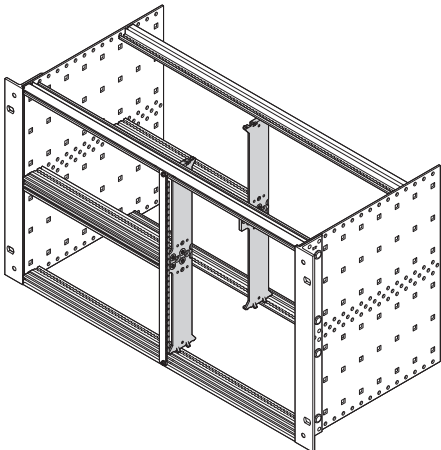

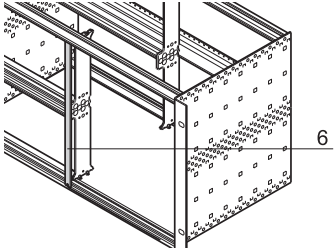
Note

- Cover plates without perforation available on request
- Mounting position of horizontal rails, see page 6.98

Subracks - *europac* **PRO** rugged ServicePLUS

Combined mounting (6 U and 2 x 3 U one above the other)

Order Information

 <p style="text-align: right;">06112076</p> <p>Height U 6</p>	<p style="text-align: center;">Rugged struts for combined mounting</p>  <p style="text-align: right;">06112077</p> <p style="text-align: center;">6 U, die-cast zinc; fixing material kit</p> <p style="text-align: center;">PU 2 pieces 24566-400</p>	<p style="text-align: center;">Front panel for textile EMC gasket, 6 U, 2 HP Item 6</p>  <p style="text-align: right;">bpa46550</p> <p style="text-align: center;">Al, 2.5 mm, U-profile with notch, 6 U, 2 HP</p> <p style="text-align: center;">1 piece (SPQ 5)¹⁾ 30849-140</p>
--	---	--

Accessories

Pozidrive/slotted collar screw M2.5 x 12.3, St, nickel-plated, PU 100 pieces	-	21101-101
Pozidrive/slotted collar screw M2.5, black, zinc-plated, PU 100 pieces	-	21101-102
Washer 2.7 x 5 x 1, PA 6, PU 100 pieces	-	21101-121
Textile gasket, core: foam, sleeve: textile cladding with CuNi coating, UL 94 V-0, PU 10 pieces	-	21101-855

Note

- Rugged horizontal rails in various lengths, see page 6.99

Subracks - *europac PRO* rugged ServicePLUS

EMC gaskets between front/rear panel and horizontal rail

Order Information

		Stainless steel EMC gasket between front panel/rear panel and horizontal rail	
		stainless steel; for front and rear horizontal rails (type VT)	
		06102053	
Width HP	Depth mm	PU 10 pieces	PU 100 pieces
28	131.8	24560-229	-
42	202.9	24560-231	-
63	304.5	24560-233	-
84	416.6	24560-235	24560-236

EMC gaskets between front panel and 19" bracket/corner profile

Order Information

		Textile EMC gasket between front panel/rear panel and 19" bracket/corner profile	
		textile gasket, core: foam, sleeve: textile cladding with CuNi coating, UL 94 V-0C	
		06102056	
		06108054	
Height U	Depth mm	PU 10 pieces	PU 100 pieces
3	97.5	21101-853	21101-854
6	232.5	21101-855	21101-856

Subracks - *europacPRO* rugged ServicePLUS

EMC gasket between horizontal rail and cover plate

Order Information

06102052

Stainless steel EMC gasket, between cover plate and horizontal rail

06104052

stainless steel EMC gasket, clips into the horizontal rail and forms the contact with the cover plate; suitable for all horizontal rails

	Width HP	Depth mm	PU 10 pieces	PU 100 pieces
	42	202.9	24560-241	-
	84	416.6	24560-245	24560-246
Assembly tool, to fit EMC gasket, stainless steel, for horizontal rails, 1 piece			24560-271	24560-271

EMC gasket between backplane and side panel

Order Information

06108078

Stainless steel EMC gasket between backplane and side panel (depth-offset installation)

bpa45916

2 x support profile, Al extrusion, 2 x stainless steel EMC gasket; for vertical EMC shielding between depth-offset shielded backplane and side panel: dimensions for 84 HP
 A = 425.8 mm, B < 429.9 mm, C = 429.8 mm, D = 431.8 mm

	Height U	Depth mm	PU 1 kit
	3	97.5	24561-199
	6	187.5	24561-499
Torx countersunk screw M4 x 7, St, zinc-plated, PU 100 pieces			24566-105
Square nut M4, St, zinc-plated, PU 100 piece			24560-140

With appropriate design, the backplane can be used as shielded rear wall of the rack; in this case a rear horizontal rail (L-type VT or H-VT) must be used for deeper installation to ensure the horizontal contact.

For vertical contact the support profile can be fixed in the standard way to the europacPRO side panel (depth grid 30 mm

Appendix – Order notes

Packaging units

A packaging unit (PU) - e.g. carton, bag - contains the stated quantity. If you order the quantity 1, you will automatically receive the quantity defined as PU.

Example: EMC textile gasket
See page 5.22
Part number 21101-853

Quantity (per part number): 10 pieces

Order quantity: Delivery quantity:

1	10 pieces
2	20 pieces
3	30 pieces

Price list

Our price list is available by e-mail from your customer consultant. Please find all contact details at www.schroff.biz/contact.

Always up-to-date

Please visit our website www.schroff.biz where we continuously inform about news and technical changes.

Quick links

Catalogue request: www.schroff.biz/catalogues

Product configurators: www.schroff.biz/conf

Contact details: www.schroff.biz/contact

Product search: www.schroff.biz/oneclick

Front Panel Express: www.frontpanelexpress.eu

VARISTAR: www.varistar.co.uk

Railway technology: www.schroff.co.uk/railway

IT Infrastructure: www.schroff.co.uk/datacom

Standard pack quantity (SPQ)

Please take into consideration that deliveries may be carried out in the stated SPQs (SPQ, e.g. 5 pieces, 10 pieces, 50 pieces, etc.). Differing order quantities (e.g. 2 pieces) may be changed to the next possible delivery quantity = Standard Pack Quantity (in this case 10 pieces).

Example: Front horizontal rail
See page 5.31
Part number 34560-228

Quantity (per part number): 1 piece
Standard pack quantity (SPQ): 10 pieces

Order quantity: Delivery quantity:

≤ 10	10 pieces
> 10 ≤ 20	20 pieces
> 20 ≤ 30	30 pieces

Delivery times

Part numbers in bold face type are ready for despatch within 2 working days; part numbers in normal type are ready for despatch within 10 working days.

Business relations

Schroff is exclusively operating in Business to Business (B2B). Private individuals can buy Schroff products via our sales representatives (see www.schroff.biz/contact).

Responsible for contents and print

Schroff GmbH, Marketing Communication,
D-75334 Straubenhardt, Germany

The data in this catalogue have been thoroughly edited and checked - in assistance with an accredited Quality Management System in accordance with EN ISO 9001:2008.

Faults and spelling mistakes, but mainly changes due to improvements and further developments of our products are subject to change. There is no possibility to claim indemnity/compensation.

Cabinets	Overview.....	1.0	LHX 20/40 Air/water heat exchangers.....	1.224	1
	Varistar Cabinet platform.....	1.2	LHX 3 Air/water heat exchangers.....	1.236	
	Varistar Electronics.....	1.10	Novastar.....	1.240	
	Varistar EMC.....	1.54	Eurorack.....	1.270	
	Varistar Seismic.....	1.84	Outdoor.....	1.316	
	Varistar MIL.....	1.120	Etsirack.....	1.346	
	Varistar Data/network systems.....	1.124	19" lab racks.....	1.354	
	Varistar Containment.....	1.202	PROLINE.....	1.362	
Wall mounted case	Overview.....	2.0			2
	Epcase.....	2.36			
	LAN wall-mounted distributors.....	2.46			
Cabinet and wall-mounted case accessories	Overview.....	3.0	Monitors, keyboards, monitoring.....	3.44	3
	Mechanics.....	3.2	Socket strips.....	3.50	
	Telescopic slides.....	3.24	Power control socket strips.....	3.72	
	Electrical.....	3.29			
Climate control	Overview.....	4.0	Accessories.....	4.58	4
	Cooling concepts/service.....	4.2			
	19" fan trays.....	4.4			
	Air filtered fans.....	4.20			
Desktop enclosures	Overview.....	5.0	Comptec.....	5.100	5
	RatiopacPRO.....	5.6	Accessories.....	5.108	
	PropacPRO.....	5.44	Interscale.....	5.200	
	CompacPRO.....	5.76	Minipac.....	5.230	
Subracks/ 19" chassis	Overview.....	6.0	EuropacPRO industrial applications.....	6.86	6
	EuropacPRO.....	6.2	EuropacPRO Rugged.....	6.92	
	EuropacPRO for railroad applications.....	6.70	MultipacPRO.....	6.112	
			Inpac.....	6.128	
Front panels, Plug-in-units, Frame type plug-in-units	Overview.....	7.0	PCB accessories.....	7.102	7
	Front panels.....	7.2			
	Plug-in units.....	7.16			
	Frame type plug-in units.....	7.64			
Systems	Overview.....	8.0	AdvancedMC modules.....	8.56	8
	AdvancedTCA.....	8.2	CompactPCI, Serial, PlusIO, PSB.....	8.68	
	AdvancedMC carriers.....	8.26	VME, VME64x, VXS, VPX.....	8.88	
	MicroTCA.....	8.36	Accessories.....	8.106	
Power supply systems	Overview.....	9.0	19" accessories.....	9.18	9
	19" AC/DC switched-mode PSUs.....	9.2	PSUs for MicroTCA.....	9.20	
	19" AC/DC linear regulators.....	9.12	PSUs for VMEbus.....	9.22	
	19" AC/DC convertors.....	9.15	PSUs for CompactPCI, VME64x.....	9.24	
Backplanes	Overview.....	10.0	VME64x, VMEbus.....	10.15	10
	CompactPCI, Serial, PlusIO.....	10.4	Power.....	10.18	
	PXI.....	10.11	Universal.....	10.19	
	VXS.....	10.14	Test adaptors.....	10.20	
Connectors, Front panel component systems	Overview.....	11.0			11
	Connectors.....	11.2			
	Front panel component system.....	11.12			
Appendix	Standards abbreviations.....	12.0			12
	Notes on ordering.....	12.10			
	Order number index.....	12.11			
	Product index.....	12.62			