

Search By Catalog Number

[Home](#) > [Terminal Blocks](#) > [Military - Military Class](#) > 38TB Military Terminal Blocks

38TB - Military Class Terminal Blocks



38TB06F

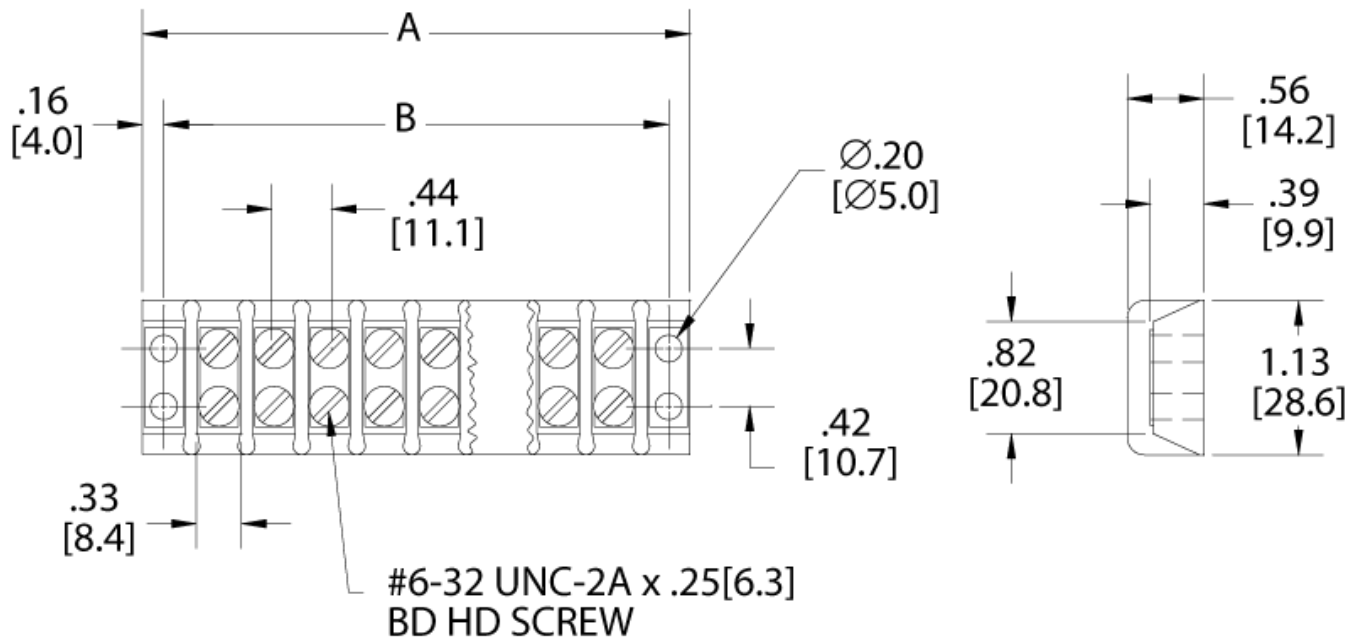
Material

- Plastic: grade F temperature rating 155°C per MIL-M-14
- Screws: Brass per QQ-W-321, nickel plated per QQ-N-290
- Terminal Plates: Brass per QQ-B-613, nickel plated per QQ-N-290

Electrical Rating

- Rated voltage (maximum): 600 volts
- Current rating: 20 amps
- D.W.V.: 3400 volts RMS

[Product Datasheet](#)



Military Class - 38TB-F Series - A-A-59125/2 - MIL-T-55164/2

Catalog #	# of Poles	Dimensions	
		A	B
38TB02F	2	1.579-1.672	1.296-1.343
38TB03F	3	2.016-2.109	1.734-1.781
38TB04F	4	2.454-2.547	2.172-2.219
38TB05F	5	2.891-2.984	2.609-2.656
38TB06F	6	3.329-3.422	3.046-3.093
38TB07F	7	3.766-3.859	3.484-3.531
38TB08F	8	4.204-4.297	3.937-3.984
38TB09F	9	4.641-4.734	4.375-4.422
38TB10F	10	5.079-5.172	4.812-4.859
38TB11F	11	5.532-5.625	5.250-5.297
38TB12F	12	5.969-6.078	5.687-5.734
38TB13F	13	6.407-6.516	6.110-6.188
38TB14F	14	6.844-6.953	6.547-6.625
38TB15F	15	7.282-7.391	6.985-7.063
38TB16F	16	7.719-7.828	7.422-7.500
38TB17F	17	8.157-8.5266	7.860-7.938
38TB18F	18	8.594-8.703	8.297-8.375
38TB19F	19	9.079-9.156	8.750-8.828
38TB20F	20	9.517-9.594	9.188-9.266
38TB21F	21	9.954-10.031	9.625-9.703
38TB22F	22	10.392-10.469	10.063-10.141

38TB23F	23	10.829-10.906	10.500-10.578
---------	----	---------------	---------------

CONTACT

Marathon Special Products
427 Van Camp Road
P.O. Box 468
Bowling Green, Ohio 43402

tel: 419-352-8441
fax: 419-352-0875
email: marketing@marathonsp.com

CUSTOMER SERVICE HOURS

Mon-Fri 8am-5pm EST

LINKS

[About Us](#)

[Contact Us](#)

[Terms & Conditions](#)

[Locate a Distributor](#)

ABOUT

Marathon Special Products is an industry leader for supplying power blocks, terminal blocks, and fuse holders in North America. We've achieved this by providing one of the broadest line offerings with various sizes, terminal styles, electrical ratings and features.

