



| 3TC SERIES

15–35 Amp, Single–Phase, Miniature Ambient Compensated

Introduction

Klixon® single–phase TC devices are the smallest, lightest, high performance aircraft circuit breakers available today. They represent the state-of-the-art protection of today’s aerospace power systems. Their light weight and small size make them especially well suited for aircraft, avionics and electronic systems.



The Klixon® trademark has set the standard for aerospace circuit breakers. For a small, light weight configuration, the TC series offers the endurance and reliability required by exacting military specifications, and are available in standard current ratings from 15 through 35 amperes. The 3TC is available in 15 to 35 amps.

Features

- Miniature size
- Light weight
- Trip–free design
- Options include: longer push button, high vibration, random vibration, metric mounting thread, metric terminal thread, dust boot (part #14500-1 fits 15/32 bushing, part #14500-5 fits 7/16 bushing), terminal hardware
- AS58091 qualified
- Current rating: 15 to 35 amps
- Coordinated ratings
- High vibration resistance (option)
- High interrupting capacity
- Typical use: Where ambient temperature exceeds the 160°F (71°C) maximum of non–ambient compensated thermal circuit breakers



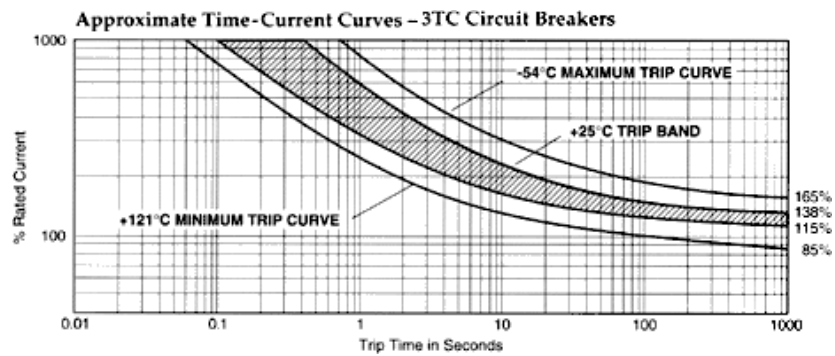
PERFORMANCE CHARACTERISTICS

Vibrations	10G minimum, 50–500 Hz (other vibration levels available)
Mechanical Shock	50G
Acceleration	10G
Weight	36 gram maximum (3TC14)
Interrupt Current	15–35 amps: 6,000 amps at 28 VDC 15–35: 2,000 amps at 120 VAC, 400 Hz 25 amps: 1,800 amps at 120 VAC, 400 Hz
Endurance	2,500 cycles: 120 VAC, 400 Hz inductive 5,000 cycles: 120 VAC, 400 Hz resistive 2,500 cycles: 30 VDC inductive 5,000 cycles: 30 VDC resistive 10,000 cycles: Mechanical, no load

MECHANICAL SPECIFICATIONS

Output Termination					
Temp.	Minimum Ultimate Trip	Maximum Ultimate Trip	Trip Time (in seconds)		
			200%	500%	1000%
25°C	115%	138%	4–20	0.40–1.70	0.10–0.40
-54°C	115%	165%	6–35	0.55–3.00	0.15–0.70
121°C	85%	145%	2–15	0.25–1.00	0.06–0.25

TRIP CURVE



VOLTAGE DROP

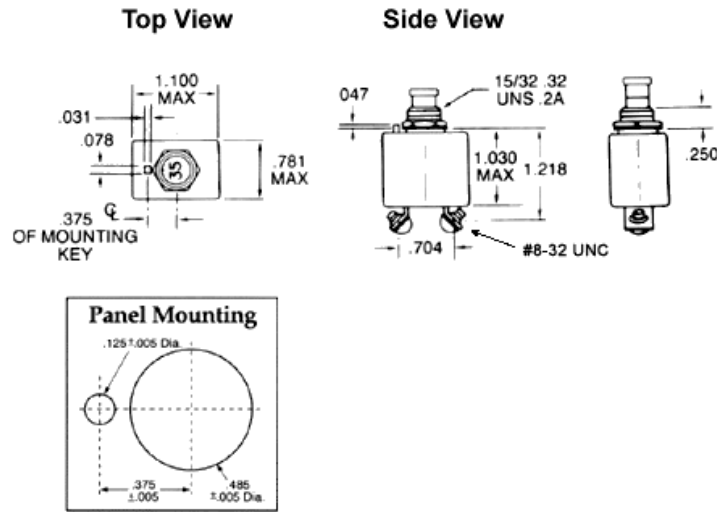
Amp Rating	Max. Voltage Drop*
15	0.25
20	0.25
25	0.25
30	0.25
35	0.25

*Maximum voltage drop at nominal rated current.



DIMENSIONS

Dimensions in mm [Inch]



ORDERING OPTIONS

Example : 3TC2-15

Family

3TC2
3TC14
3TC27

3TC2 - 15

Amp Rating

15 = 15 amp
20 = 20 amp
25 = 25 amp
30 = 30 amp
35 = 35 amp

Sensata Technologies, Inc. ("Sensata") data sheets are solely intended to assist designers ("Buyers") who are developing systems that incorporate Sensata products (also referred to herein as "components"). Buyer understands and agrees that Buyer remains responsible for using its independent analysis, evaluation and judgment in designing Buyer's systems and products. Sensata data sheets have been created using standard laboratory conditions and engineering practices. Sensata has not conducted any testing other than that specifically described in the published documentation for a particular data sheet. Sensata may make corrections, enhancements, improvements and other changes to its data sheets or components without notice.

Buyers are authorized to use Sensata data sheets with the Sensata component(s) identified in each particular data sheet. HOWEVER, NO OTHER LICENSE, EXPRESS OR IMPLIED, BY ESTOPPEL OR OTHERWISE TO ANY OTHER SENSATA INTELLECTUAL PROPERTY RIGHT, AND NO LICENSE TO ANY THIRD PARTY TECHNOLOGY OR INTELLECTUAL PROPERTY RIGHT, IS GRANTED HEREIN. SENSATA DATA SHEETS ARE PROVIDED "AS IS". SENSATA MAKES NO WARRANTIES OR REPRESENTATIONS WITH REGARD TO THE DATA SHEETS OR USE OF THE DATA SHEETS, EXPRESS, IMPLIED OR STATUTORY, INCLUDING ACCURACY OR COMPLETENESS. SENSATA DISCLAIMS ANY WARRANTY OF TITLE AND ANY IMPLIED WARRANTIES OF MERCHANTABILITY, FITNESS FOR A PARTICULAR PURPOSE, QUIET ENJOYMENT, QUIET POSSESSION, AND NON-INFRINGEMENT OF ANY THIRD PARTY INTELLECTUAL PROPERTY RIGHTS WITH REGARD TO SENSATA DATA SHEETS OR USE THEREOF.

All products are sold subject to Sensata's terms and conditions of sale supplied at www.sensata.com SENSATA ASSUMES NO LIABILITY FOR APPLICATIONS ASSISTANCE OR THE DESIGN OF BUYERS' PRODUCTS. BUYER ACKNOWLEDGES AND AGREES THAT IT IS SOLELY RESPONSIBLE FOR COMPLIANCE WITH ALL LEGAL, REGULATORY AND SAFETY-RELATED REQUIREMENTS CONCERNING ITS PRODUCTS, AND ANY USE OF SENSATA COMPONENTS IN ITS APPLICATIONS, NOTWITHSTANDING ANY APPLICATIONS-RELATED INFORMATION OR SUPPORT THAT MAY BE PROVIDED BY SENSATA.

Mailing Address: Sensata Technologies, Inc., 529 Pleasant Street, Attleboro, MA 02703, USA.

CONTACT US

Americas

+1 (508)-236-3287
klixon@sensata.com

AUTHORIZED DISTRIBUTORS

Flame Enterprises
Bob Correa, Director of Product Management
+1 (240) 236-9802
bcorrea@flamecorp.com
info@flamecorp.com | Web
Tel: 1-800-854-2255 or 1-818-700-2905
Fax: 1-818-407-5080

Peerless Electronics
Steve Gunther, National Sales Manager

+1 (516) 594-3509
sgunther@peerlesselectronics.com
nysales@peerlesselectronics.com | Web
Tel: 1-800-285-2121
Fax: 1-800-222-8096

Europe, Middle East & Africa

Flame Enterprises
Bob Correa, Director of Product Management
+1 (240) 236-9802
bcorrea@flamecorp.com
info@flamecorp.com | Web
Tel: 1-800-854-2255 or 1-818-700-2905
Fax: 1-818-407-5080