

4

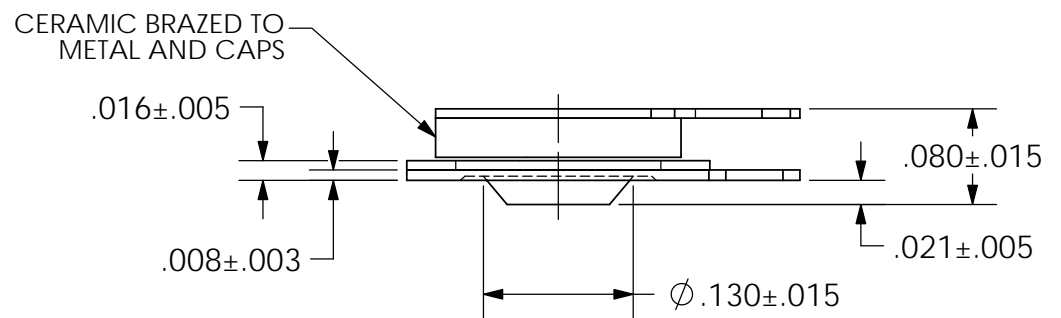
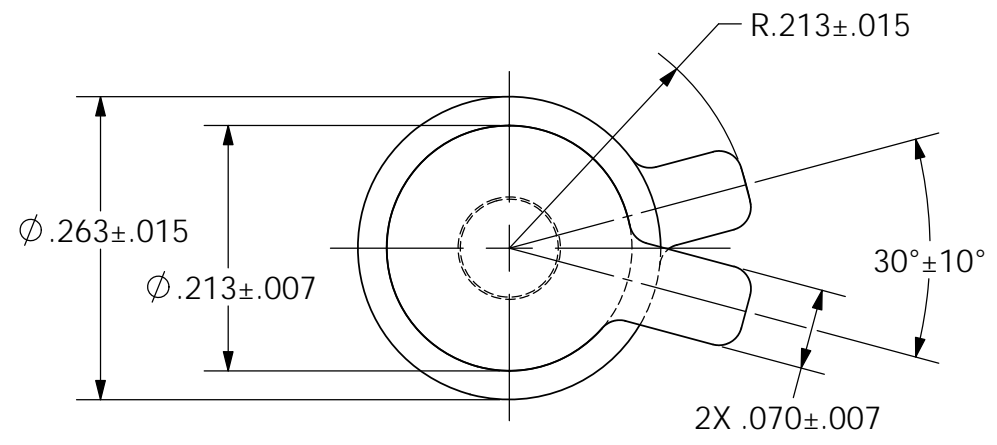
3

2

1

| ZONE | REV. | REVISION DESCRIPTION                                   | ECN NO.    | DATE        |
|------|------|--|------------|-------------|
|      | F    | RE-MOVED BOTH WIRE LEADS AND ASSOCIATED DIMENSIONS: DP | ECO-341877 | 09-DEC-2019 |

Property of  
Sensata Technologies

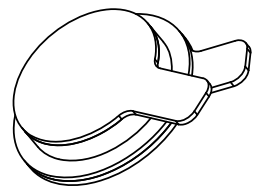


PART NO.: 4BTL2-\*-\*\*  
4BTF2-\*-\*\*


"L" DESIGNATES OPEN ON TEMPERATURE RISE.  
"F" DESIGNATES CLOSE ON TEMPERATURE RISE.

\* WHEN CUSTOMERS TEMPERATURE CHARACTERISTICS ARE ESTABLISHED A DASH NO. WILL BE ASSIGNED, THEREBY COMPLETING THE PART NO.

\*\* IF WIRE LEADS ARE REQUIRED A SECOND DASH NO. WILL BE ASSIGNED TO THE COMPLETED PART NO.



SCALE 4:1

|   |          |  |                         |
|---|----------|--|-------------------------|
| FOR REFERENCE ONLY, CHECK LATEST REVISION BEFORE USE.<br>PARTS MADE TO THIS PRINT MUST CONFORM TO E9898 REV. E. |          |  529 PLEASANT STREET<br>P.O. BOX 2964<br>ATTLEBORO, MA 02703  |                         |
| DRAWN<br>J.D.MAYALL<br>DATE 04-JAN-1964   | ENGINEER | SENSATA TECHNOLOGIES PROPRIETARY AND CONFIDENTIAL. NEITHER THIS PRINT NOR THE INFORMATION CONTAINED HEREON IS TO BE USED AGAINST THE INTERESTS OF SENSATA TECHNOLOGIES OR AGAINST THE INTERESTS OF ANY OF ITS AFFILIATED COMPANIES OR WHOLLY OWNED SUBSIDIARIES. |                         |
| DATE  | APPROVED | INTERPRET DIMENSIONING AND TOLERANCING PER ASME Y14.5-2009. UNLESS OTHERWISE SPECIFIED DIMENSIONS ARE IN INCHES.<br>TOLERANCES<br>DECIMALS                      ANGLES   |                         |
| DATE  | APPROVED | TITLE<br>4BT-2 THERMOSTAT<br>S.P.S.T. AUTO RESET SEALED<br>ENVELOPE DRAWING  |                         |
| DATE  | APPROVED | SIZE<br>B  | DWG NO.<br>4BT-2        |
|   |          | DO NOT SCALE DRAWING   | THIRD ANGLE PROJECTION  |
|   |          | SCALE 6:1  | SOLIDWORKS SHEET 1 OF 1 |
|   |          | REV.<br>F  |                         |

4

3

2

1

D

D

C

C

B

B

A

A