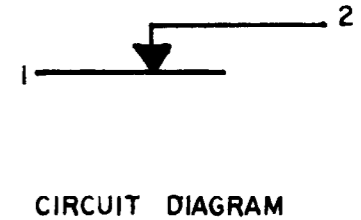


MICRO SWITCH
 FREEPORT ILLINOIS U S A
 A DIVISION OF HONEYWELL
 FED. MFG. CODE 91929

SWITCH-ENCLOSED

CATALOG LISTING
602EN532



602 EN532

PAGE 1 OF 1

M

DRAWING NUMBER

ISSUE 10

REVISIONS

A	PR 7995	
B	CO47573	
C	CO49037	
D	CO49806	
E	CO57370	
F	CO756128	
G	CO94274	
H	204911	

RASTER
 FO-32851-A

REPLACES

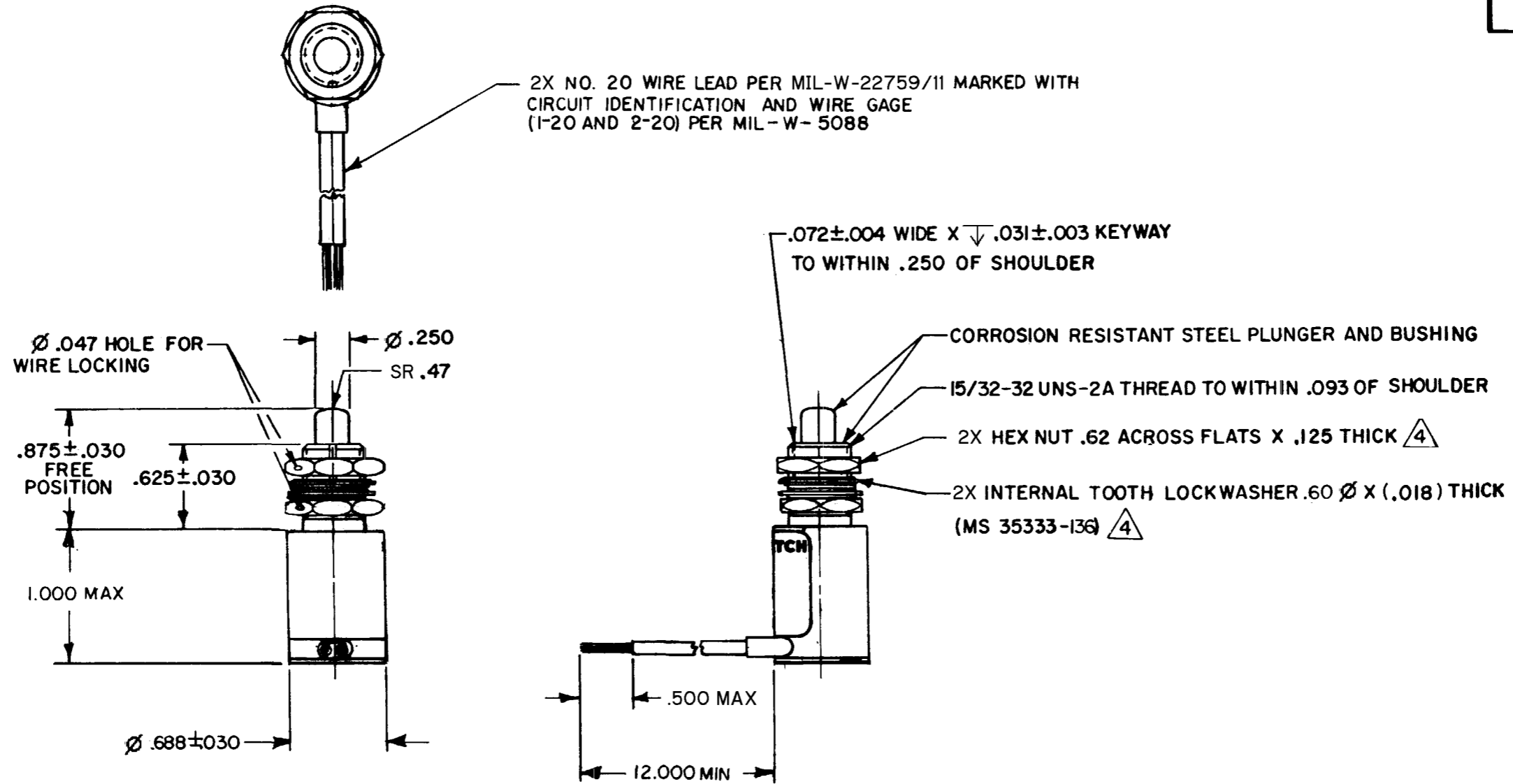
RELEASE NO. PR-7995

CHECK

CHECK

CHECK

13 JUL 79



- NOTES
- 1 - CORROSION RESISTANT STEEL ENCLOSURE
 - 2 - SWITCH SEALED PER MIL-PRF-8805 SYMBOL 4
 - 3 - CIRCUIT DIAGRAM, DATE CODE, FED. MFG. CODE AND CATALOG LISTING ARE SHOWN ON NAMEPLATE
 - (4) - HARDWARE MAY BE PACKAGED UNASSEMBLED PER MIL-PRF-8805

THIS DRAWING COVERS A PROPRIETARY ITEM AND IS THE PROPERTY OF MICRO SWITCH, A DIVISION OF HONEYWELL. THIS DRAWING IS NOT TO BE COPIED OR USED WITHOUT THE APPROVAL OF MICRO SWITCH.

THIRD ANGLE PROJECTION

SCALE FULL

DO NOT SCALE PRINT

CHARACTERISTICS	
OPERATING FORCE	3-6 LB
FULL OVERTRAVEL FORCE	17 LB MAX
RELEASE FORCE	2 LB MIN
PRETRAVEL	.040 MAX
DIFFERENTIAL TRAVEL	.020 MAX
OVERTRAVEL	.125 MIN

ELECTRICAL DATA	
CONTACT ARRANGEMENT S P N C	
28 VDC	
LOAD	SEA LEVEL 50,000 FT.
RES	7 7
IND	4 4
MOTOR	4
LAMP	

TOLERANCES			
APPLY TO DESIGN UNITS. CONVERSIONS ARE ONLY FOR REFERENCE. UNLESS NOTED, TOLERANCES ARE:			
DIM.	TOL.	DIM.	TOL.
mm	mm/in	in	mm/in
NO PLACES	X	1/64	
ONE PLACE	X, X	0.4/018	X, X
TWO PLACES	X, XX	0.15/008	X, XX
THREE PLACES	X, XXX		X, XXX
ANGLES			
DESIGN UNITS		SI METRIC <input type="checkbox"/> US CUSTOMARY <input checked="" type="checkbox"/>	
RAW MATERIAL-COMMERCIAL STANDARD MICRO SWITCH STANDARDS APPLY			
DIMENSIONS ARE TO BE MET BEFORE PROTECTIVE COATINGS ARE APPLIED			
WEIGHT 2.5 OZ. MAX.			

ANSI Y14.5M-1982 APPLIES