


[Home](#) > [Terminal Blocks](#) > [Barrier - Double Row](#) > 605 GP Series - Double Row Terminal Blocks

605 GP Series - Double Row Terminal Blocks



605 GP 03 SLB

Specifications

- A Kulka® Brand
- 90 amps
- 600 Volts AC/DC, Class B/C
- Base, phenolic, 150°C (UL RTI)
- JJ (GDI-30F) material available
- Screws, steel, 1/4-28 phil-slot
- Terminals, plated brass
- Open back design (Insulator strip required for voltage rating - [Reference](#))
- 1-6 poles at 1 1/8" centers
- Accepts lugs w/max width of .67"
- Bare wire range #10-#14 AWG

Standards

- UL recognized file no. XCFR2.E47811
- CSA certified file no. LR19766
- CE Compliant (IEC 60947-7-1)
- RoHS compliant

[Product Datasheet](#)

Double Row Terminal Blocks - 604 GP Series

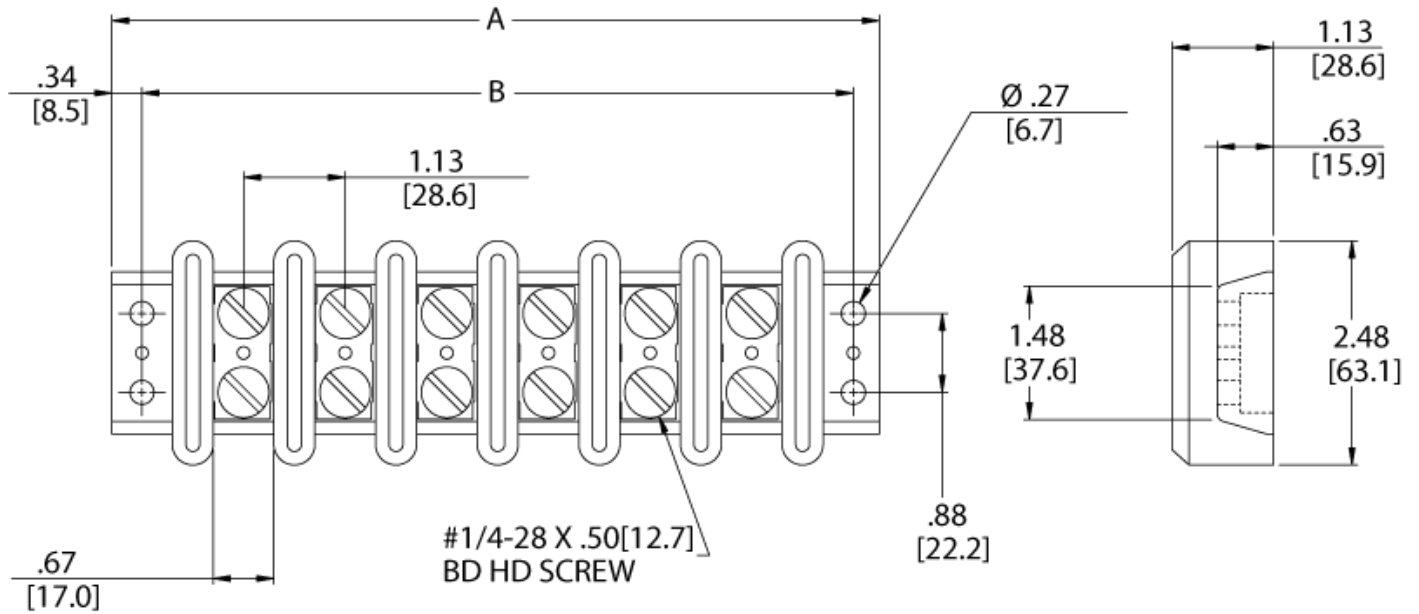
Catalog #	# of Poles	Dimensions
-----------	------------	------------

		A	B
605 GP 01 SLB	1	2.88	2.25
605 GP 02 SLB	2	4.00	3.38
605 GP 03 SLB	3	5.13	4.50
605 GP 04 SLB	4	6.25	5.63
605 GP 05 SLB	5	7.38	6.75
605 GP 06 SLB	6	8.50	7.88

mm = dim X 25.4

Hardware Options
(Hardware options may affect ratings - Consult Customer Service)

Catalog #	Product Description	Reference Sheet
J 605	Line-to-Line Jumper	Reference
2502	Stud 1/4-28 Brass (.750H) - nuts included	Reference
PSB	Phil-Slot Brass Screw	Consult Customer Service



CONTACT

Marathon Special Products
427 Van Camp Road
P.O. Box 468
Bowling Green, Ohio 43402

tel: 419-352-8441
fax: 419-352-0875
email: marketing@marathonsp.com

CUSTOMER SERVICE HOURS

Mon-Fri 8am-5pm EST

LINKS

[About Us](#)

[Contact Us](#)

[Terms & Conditions](#)

[Locate a Distributor](#)

ABOUT

Marathon Special Products is an industry leader for supplying power blocks, terminal blocks, and fuse holders in North America. We've achieved this by providing one of the broadest line offerings with various sizes, terminal styles, electrical ratings and features.

