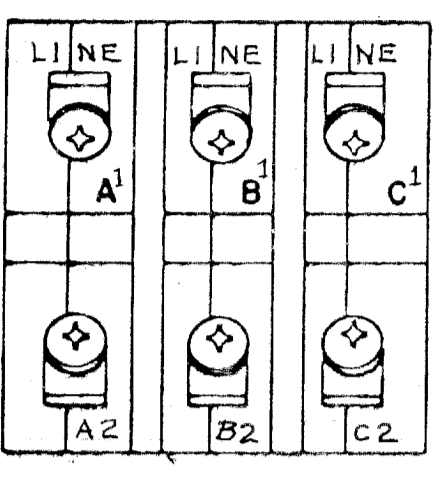
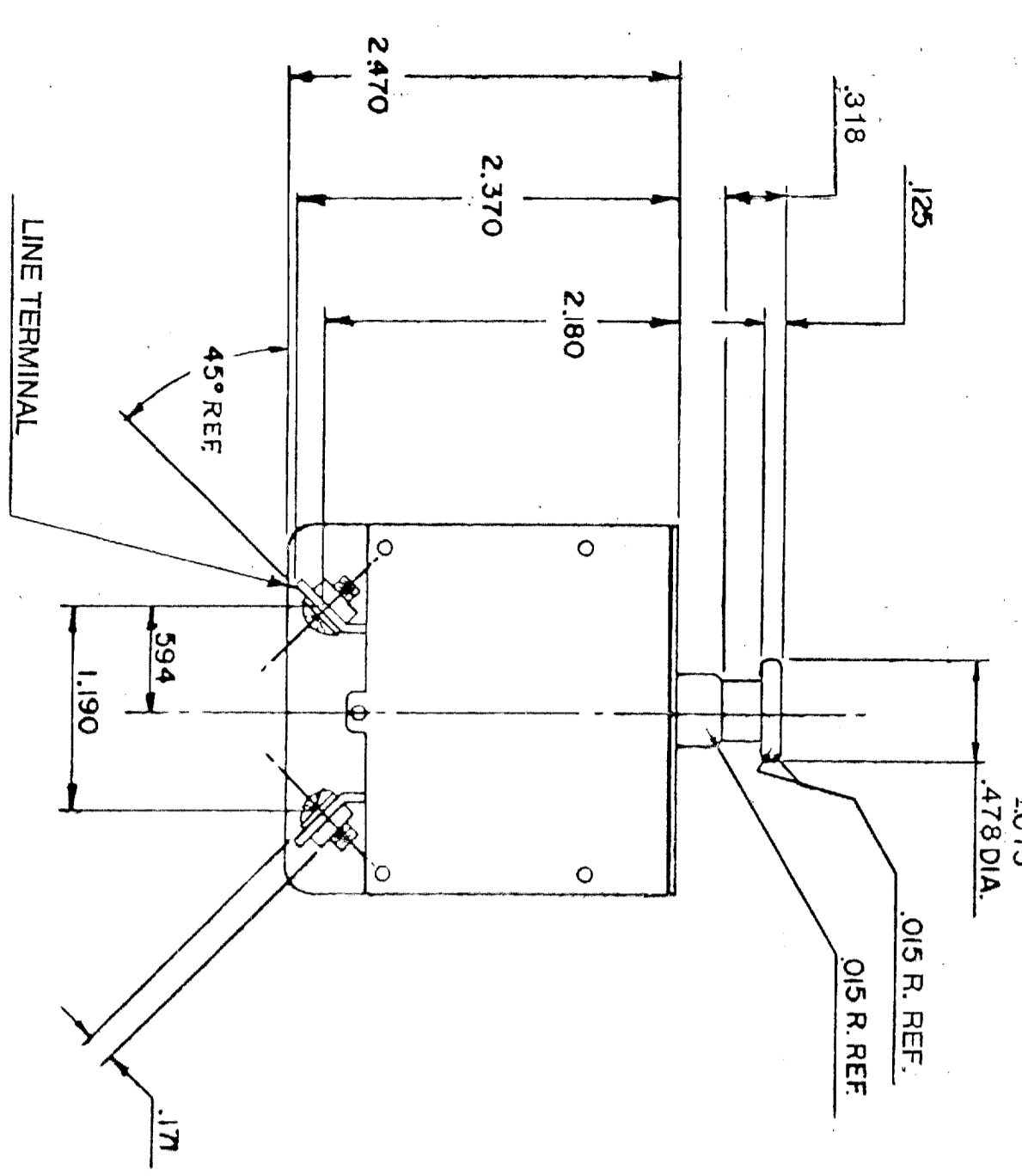
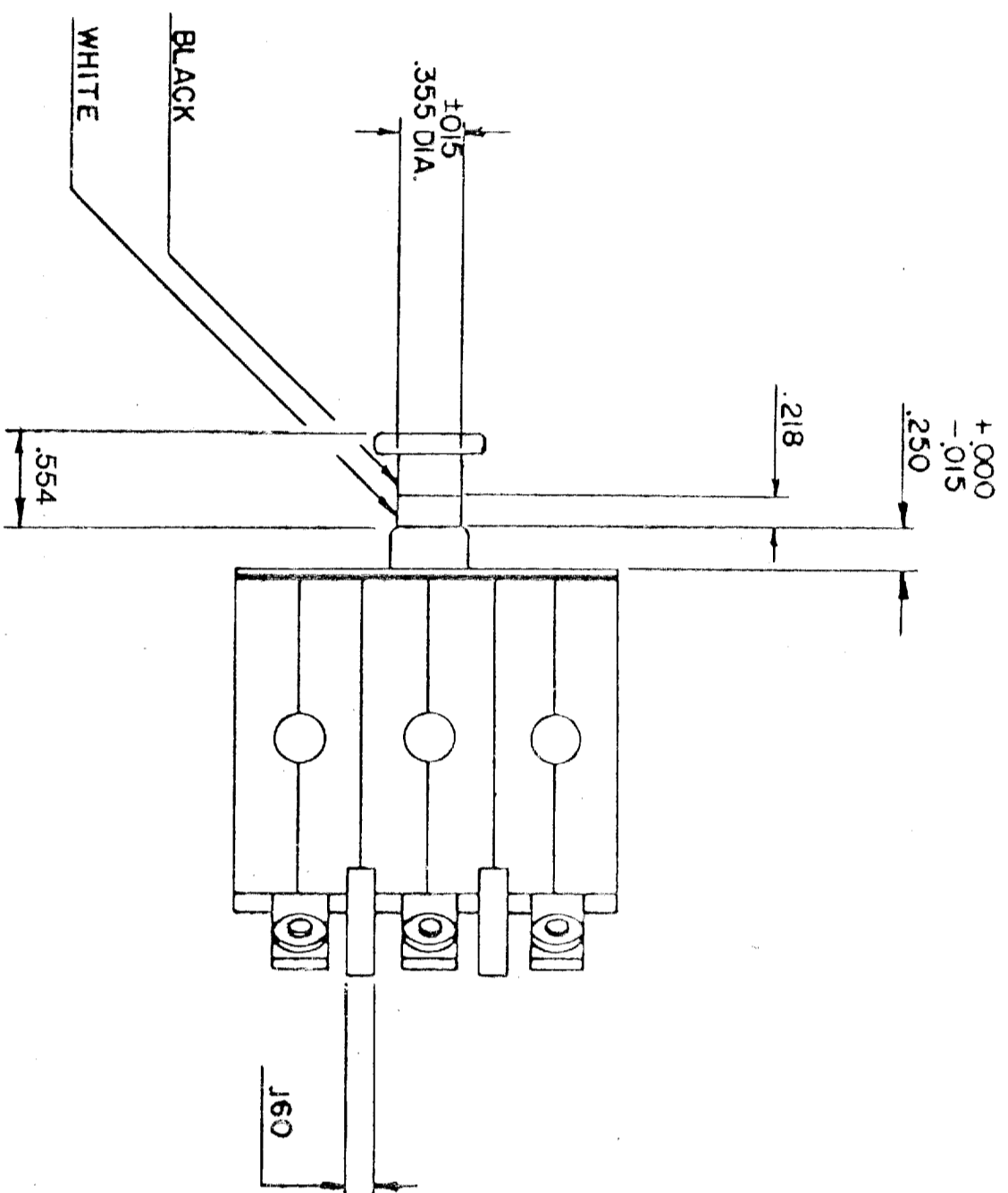
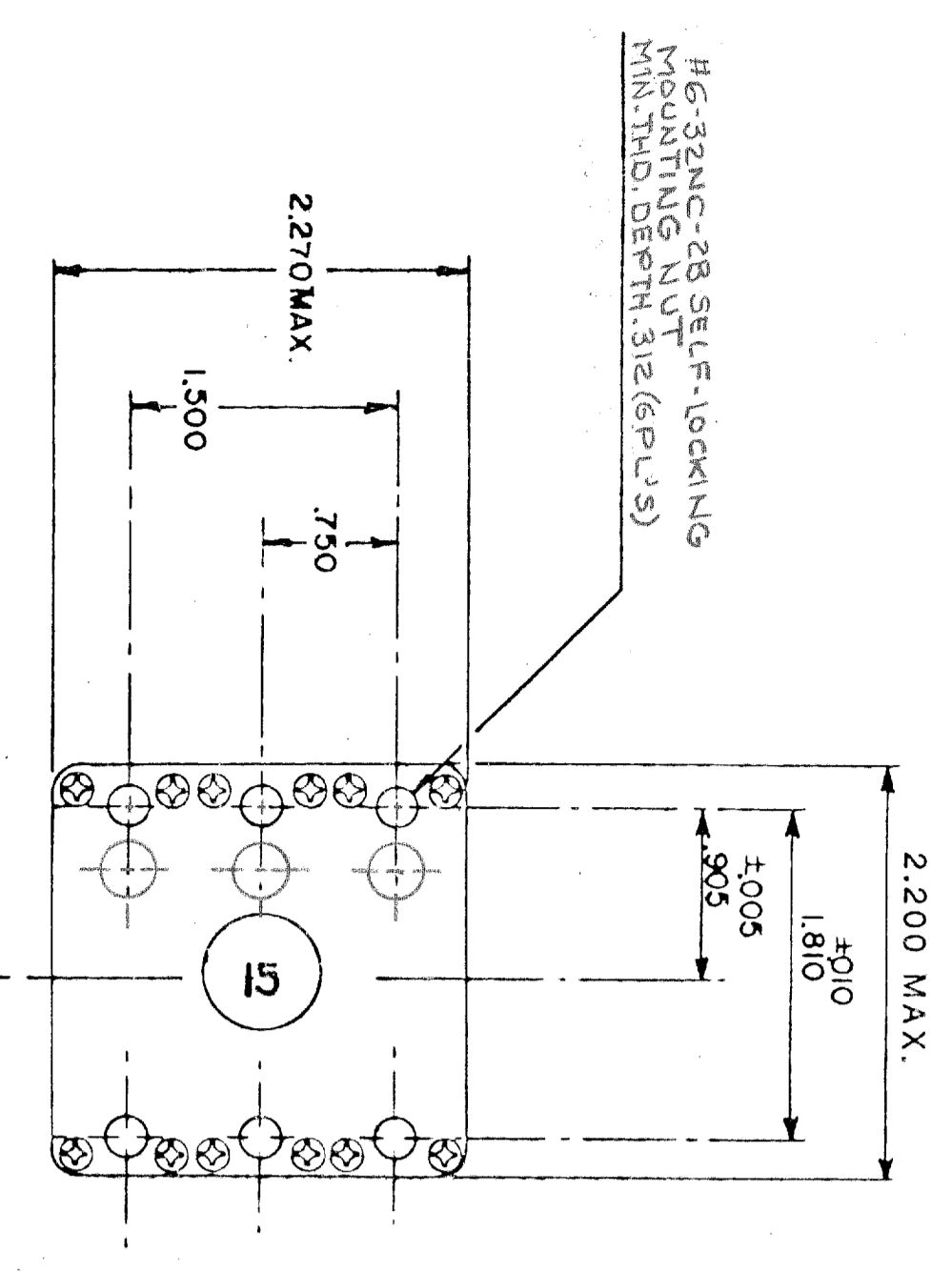
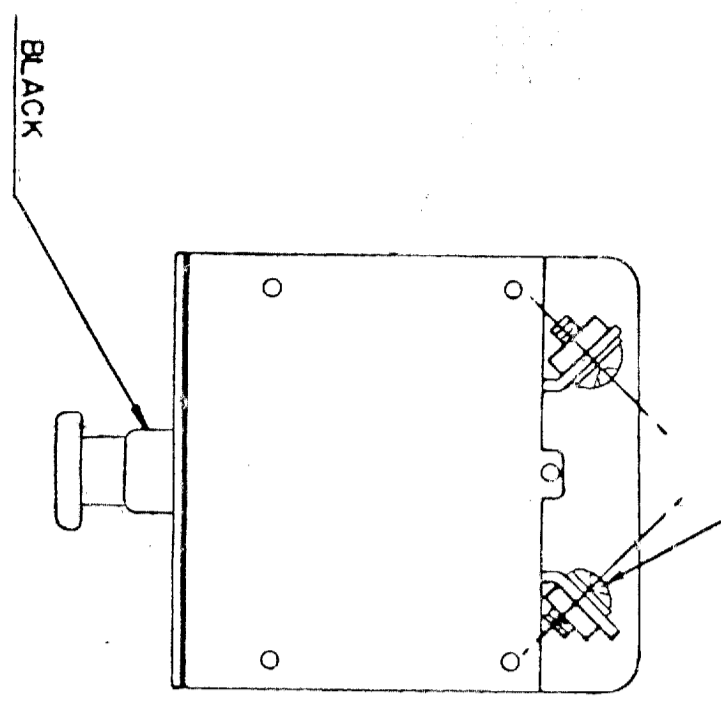


#8-32 NC-2A X 5/16 LONG ROUND PHILLIPS HEAD SCREW
AND CAPTIVE SPLIT LOCKWASHER .046 THICK



PART NO. 6752-330-15 SHCWN

PERFORMANCE CHARACTERISTICS

CALIBRATION (ALL RATINGS):

SINGLE PHASE LOAD AND BALANCED THREE PHASE LOAD:			
AMBIENT TEMP (SECONDS)	200% TIME (SECONDS)	400% TIME (SECONDS)	1000% TIME (SECONDS)
77°F	10 - 70	2.3 - 10	.33 - 1.4

UNBALANCED LOAD

ULTIMATE TRIP:			
LOAD IN 1 PHASE	LOAD IN OTHER 2 PHASES	MUST TRIP IN 1 HOUR	
77°F	145%	100%	

BALANCED LOAD

TEMP	HOLD	TRIP
-65°F	105%	170%
77°F	105%	140%
160°F	90%	140%

ENDURANCE:

5000 CYCLES MECHANICAL
5000 CYCLES RESISTIVE LOAD, 120 VAC, 400 CYCLES
5000 CYCLES INDUCTIVE LOAD, 120 VAC, 400 CYCLES

RUPTURE:

2500 AMPS ADJUSTED CIRCUIT, 120 VAC SINGLE PHASE, 400 CYCLES
1500 AMPS ADJUSTED CIRCUIT, 120 VAC THREE PHASE, 400 CYCLES

OPERATING FORCES:

PULLOUT 6 - 14 LBS
RESET 14 - 23 LBS

ACCELERATION: 10G FOR 1 MINUTE

SHOCK, CORROSION AND HUMIDITY PER MIL-C-5809.

ALTITUDE: 60,000 FEET MAXIMUM

WEIGHT: .65 LBS MAXIMUM

RATING MAX VOLTAGE DROP (VOLTS)

2 1/2	0.6
5	0.4
7 1/2	0.3
10	0.25
15	0.25
20	0.25
25	0.25
30	0.25
35	0.25
40	0.25
45	0.25
50	0.25
55	0.25
60	0.25
65	0.25
70	0.25
75	0.25
80	0.25
85	0.25
90	0.25
95	0.25
100	0.25

THIS DEVICE IS A REPLACEMENT FOR THE 6760-1 AND 6760-4.

ZONE	TR	DATE	DESCRIPTION	PROJ #	DATE	APPROVED
A	1st ISSUE	5-20-91	CE 6752-330	6755	5-20-91	D.M.
B	2nd ISSUE	5-20-91	GR 1107642	6755	5-20-91	D.M.
C	3rd ISSUE	5-20-91	ADDED 30 AMP DEVICE WITH 0.25 VOLTAGE DROP	6755	5-20-91	D.M.
D	4th ISSUE	5-20-91	SEE DATA SHEET FOR RATING	6755	5-20-91	D.M.
E	5th ISSUE	5-20-91	ADDED 60 AMP RATING	6755	5-20-91	D.M.

UNLESS OTHERWISE SPECIFIED DIMENSIONS ARE IN INCHES		BY: <i>R.L. MULHEEN</i>	DATE: 5/20/91	TEXAS INSTRUMENTS		DATE: 5/20/91		APPROVED: <i>D.M.</i>	
TOLERANCE ON FRACTIONS DECIMALS ANGLES ±.030		CH:	ENG: <i>DAN MORIN</i>	TITLE: 6752-330 TYPE THREE PHASE PUSH-PULL CIRCUIT BREAKER ENVELOPE DRAWING		SIZE: D		CODE IDENT NO.: 82647	
MATERIAL:		APPROVED: <i>D.M.</i>		SCALE:		SHEET:		6752-330	