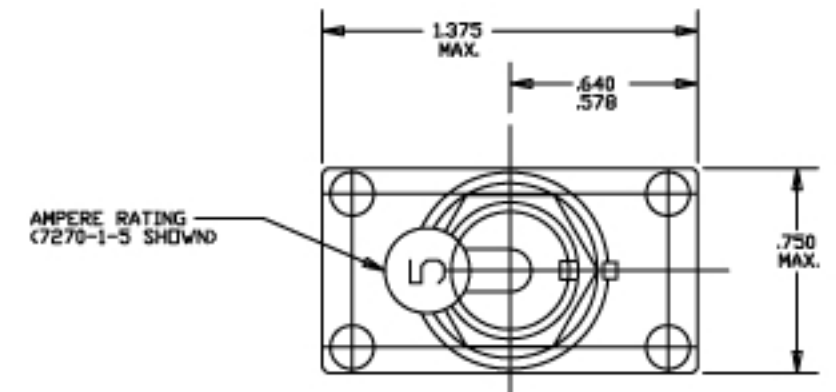
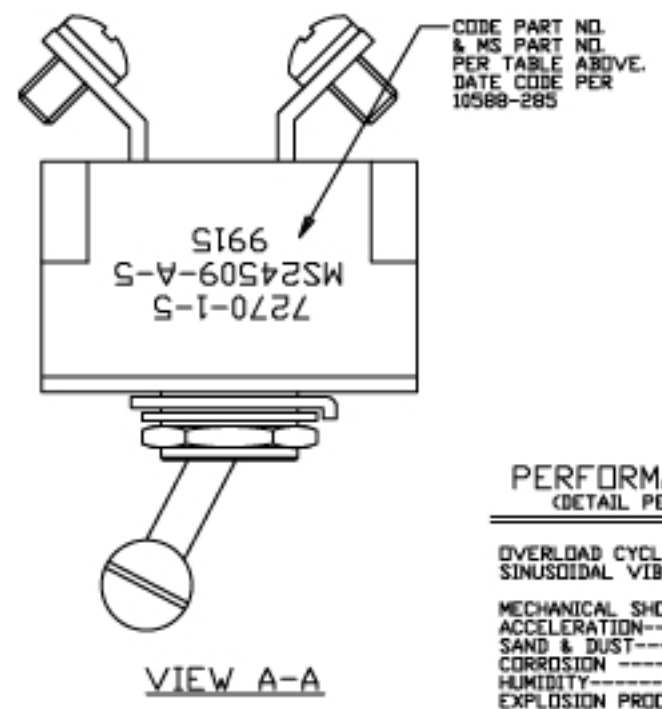
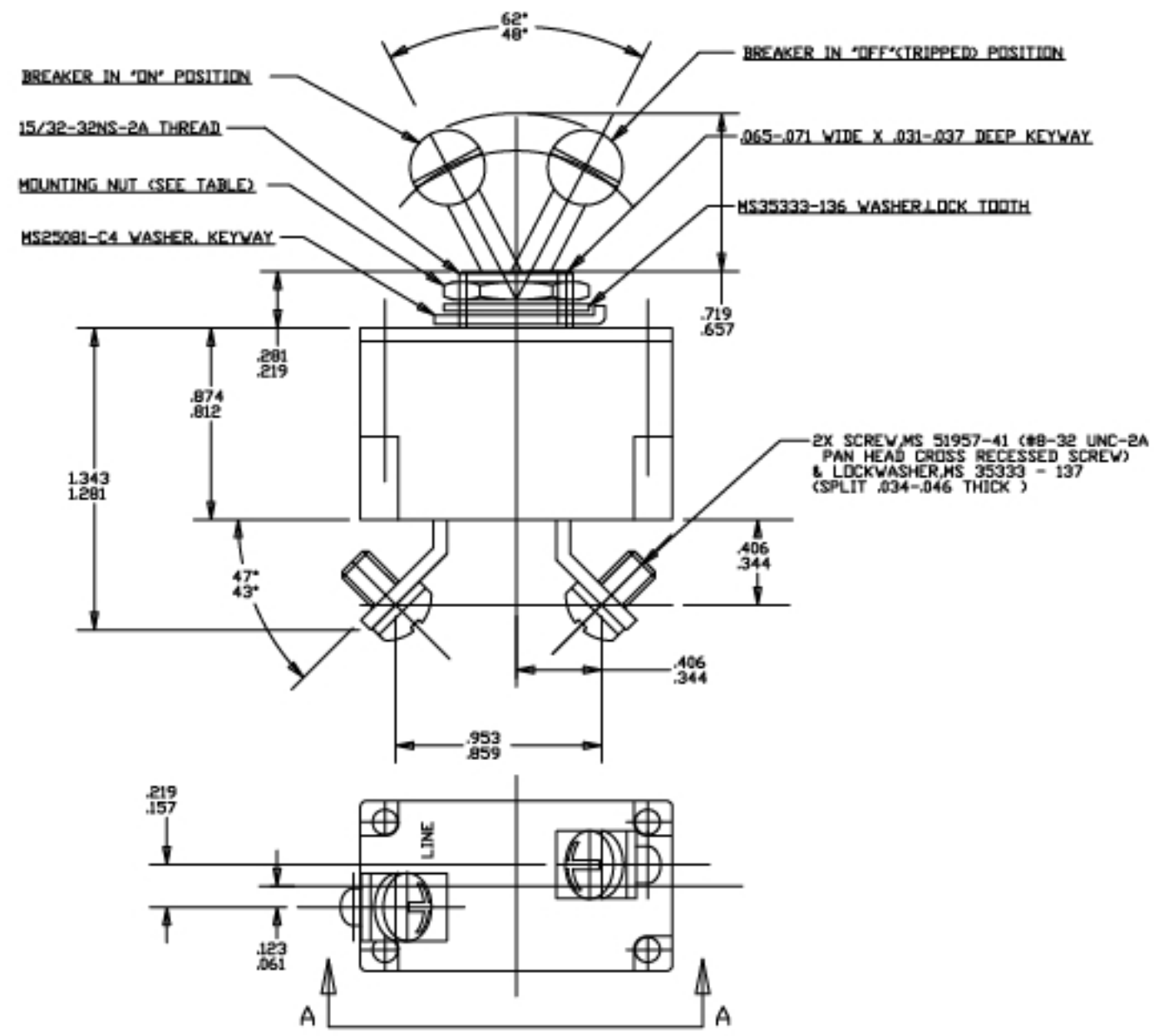


Property of
Sensata Technologies

ZONE	REV.	REVISION DESCRIPTION	ECN NO.	DATE
D1	T	IN TABLE PN MS24509-A-7-1/2 WAS MS24509-A-7 1/2; PD	ECN0042066	19-MAY-2008



MAXIMUM VOLTAGE DROP	% RATED CURRENT				MOUNTING NUT	PART NO.	AMP. RATING	CUSTOMER PART NO.
	200	400	600					
0.75	40-120	3-26	1-12		TIN PLATED BRASS	7270-1-3	3	
0.65	40-100	3-22	1-10		MS25082-C21	7270-1-5	5	MS24509-A-5
0.50	10-70	75-7.0	25-2.5		MS25082-C21	7270-1-7 1/2	7 1/2	MS24509-A-7-1/2
					MS25082-C21	7270-1-10	10	MS24509-A-10
					MS25082-C21	7270-1-15	15	MS24509-A-15
					TIN PLATED BRASS	7270-1-20	20	
					TIN PLATED BRASS	7270-1-25	25	
					TIN PLATED BRASS	7270-1-30	30	
					TIN PLATED BRASS	7270-1-35	35	
					TIN PLATED BRASS	7270-1-38	38	



PERFORMANCE CHARACTERISTICS
(DETAIL PERFORMANCE PER MIL-C-5809)

- OVERLOAD CYCLING-----100 CYCLES AT 200% RATING
 - SINUSOIDAL VIBRATION-----10 G'S 50-500 HZ
 - MECHANICAL SHOCK-----30 G'S AT 11.0 MILLISECOND DURATION
 - ACCELERATION-----10 G'S MINIMUM
 - SAND & DUST-----12 HOURS
 - CORROSION-----SALT SPRAY 48 HOURS
 - HUMIDITY-----10 DAYS
 - EXPLOSION PROOF-----WHILE INTERRUPTING RUPTURE CURRENTS
- MAXIMUM OPERATING ALTITUDE: 70,000 FT.
WEIGHT: 39.0 GRAMS MAX.
MAXIMUM OPERATING FORCES: PULL OUT-----6 LBS. MAX. RESET-----6 LBS. MAX.
- CURRENT INTERRUPTION CAPACITY: 4,000 A @ 30 VDC. 3,500 A @ 120 VAC, 400HZ.
- ENDURANCE: 120 VAC-----400 HZ INDUCTIVE -----5000 CYCLES
120 VAC-----400 HZ RESISTIVE -----5000 CYCLES
30 VDC-----INDUCTIVE -----200 CYCLES
30 VDC-----RESISTIVE -----5000 CYCLES
NO LOAD-----MECHANICAL -----10000 CYCLES
- CALIBRATION
- | AMBIENT TEMP. | HOLD | TRIP |
|---------------|-------------|-------------|
| +25°C | 115% RATING | 145% RATING |
| -40°C | 138% RATING | 175% RATING |
| +71°C | 80% RATING | 125% RATING |

NOTES:
1. EPOXY SURFACES ARE NON-DIMENSIONED. ENVELOPE DRAWING DIMENSIONS DO NOT APPLY TO THESE PROJECTED EPOXY SURFACES.

FOR REFERENCE ONLY, CHECK LATEST REVISION BEFORE USE. PARTS MADE TO THIS PRINT MUST CONFORM TO E9898 REV. E.		529 PLEASANT STREET P.O. BOX 2984 ATTLEBORO, MA 02703	
DRAWN D. LARSEN DATE 03-MAY-1995	SENSATA TECHNOLOGIES PROPRIETARY AND CONFIDENTIAL. NEITHER THIS PRINT NOR THE INFORMATION CONTAINED HEREIN IS TO BE USED AGAINST THE INTERESTS OF SENSATA TECHNOLOGIES OR AGAINST THE INTERESTS OF ANY OF ITS AFFILIATED COMPANIES OR INDIVIDUALLY OWNED SUBSIDIARIES.		TITLE 7270-1 TYPE TRIP FREE SWITCH TYPE CIRCUIT BREAKER ENVELOPE DRAWING
ENGINEER M. J. LAVADO DATE 03-MAY-1995	UNLESS OTHERWISE SPECIFIED DIMENSIONS ARE IN INCHES TOLERANCES DECIMALS ANGLES		
APPROVED H. HIRSBRUNNER DATE 16-MAY-1989	DO NOT SCALE DRAWING		SIZE DWG NO. C 7270-1
APPROVED PETER G. BERG DATE 03-MAY-1995	THIRD ANGLE PROJECTION		REV. T
SCALE 2:1		AUTOCAD SHEET 1 OF 1	
DEVICE:		PROJECT: 1	