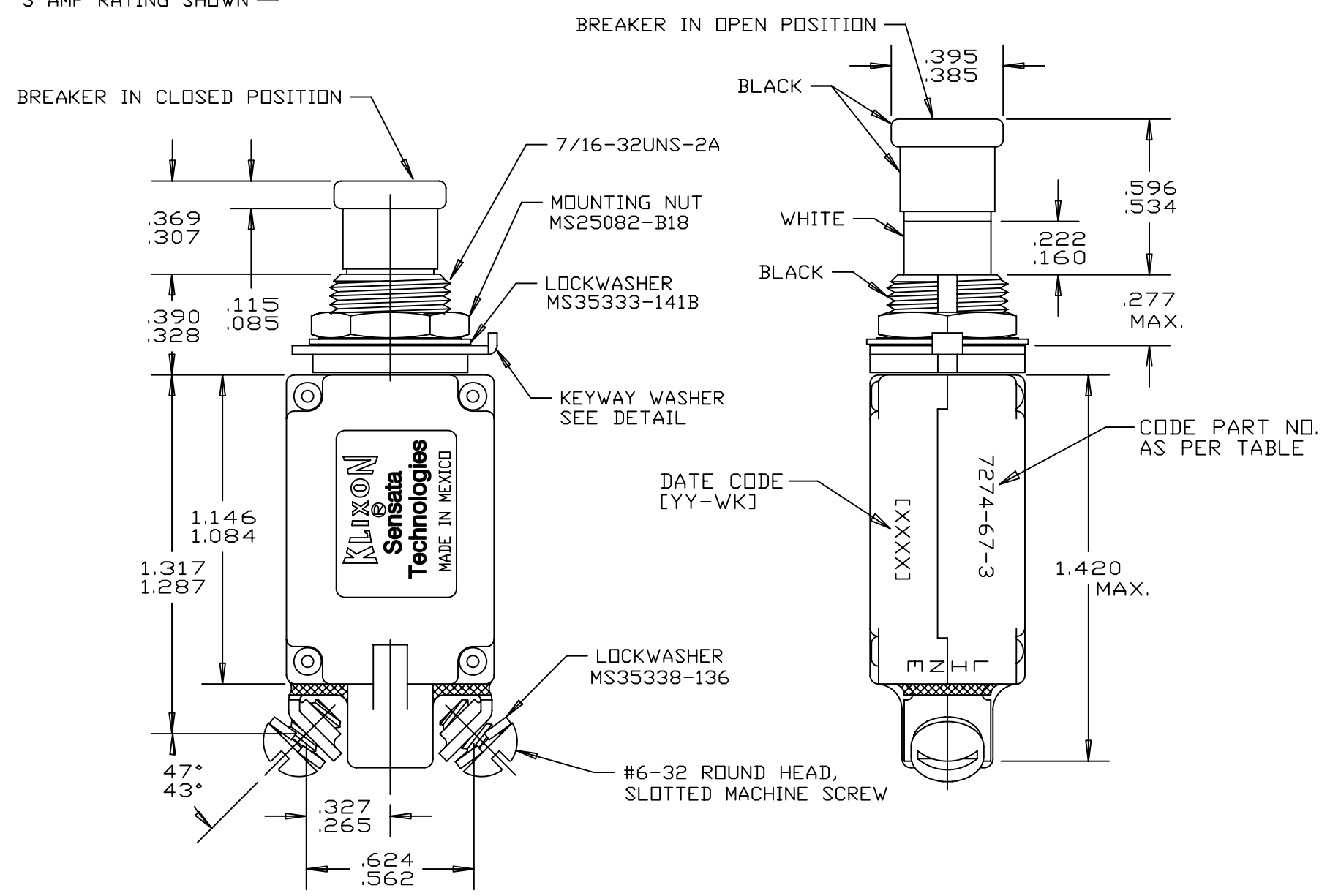
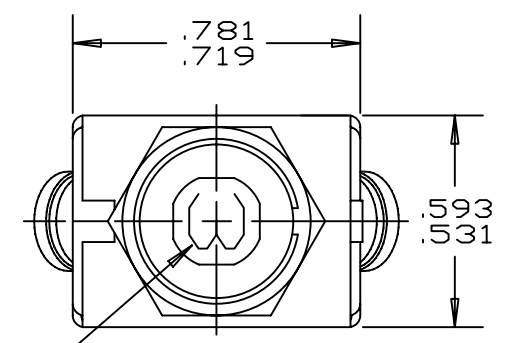
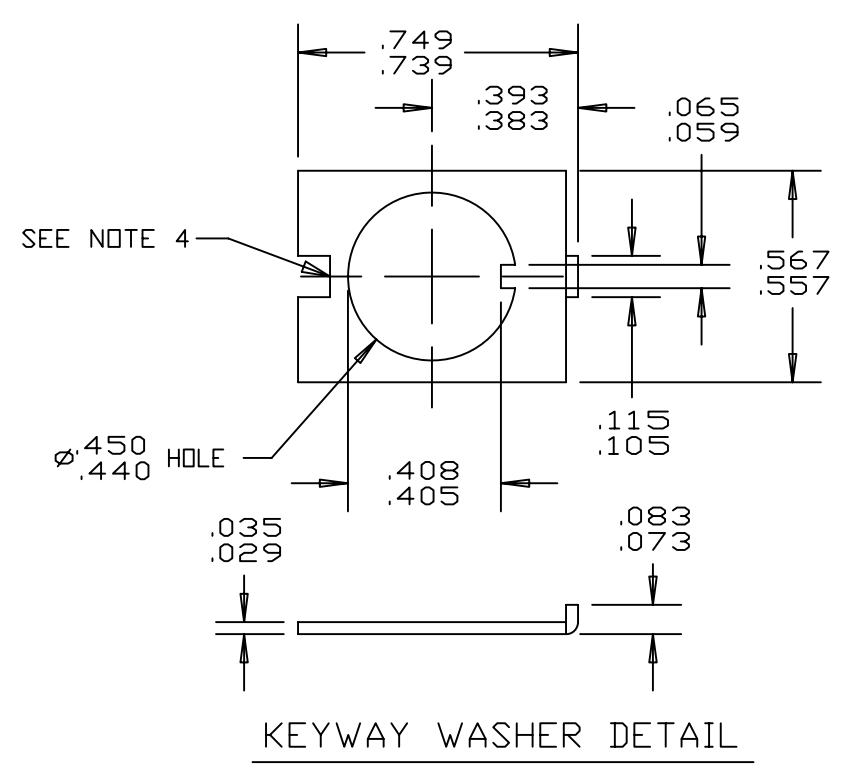


Property of
Sensata Technologies

ZONE	REV.	REVISION DESCRIPTION	ECN NO.	DATE
	G	MOD LOGO BOX; PD	ECN0036320	28-JUN-2007



PERFORMANCE CHARACTERISTICS

(DETAIL PERFORMANCE PER MIL-C-5809)

- OVERLOAD CYCLING ----- 100 CYCLES AT 200% RATING
- SINUSOIDAL VIBRATION ----- 10 G'S 50-500 HZ
- MECHANICAL SHOCK ----- 30 G'S AT 11.0 MILLISECOND DURATION
- ACCELERATION ----- 10 G'S MINIMUM
- SAND AND DUST ----- 12 HOURS
- CORROSION ----- SALT SPRAY 48 HOURS
- HUMIDITY ----- 10 DAYS
- EXPLOSION PROOF ----- WHILE INTERRUPTING RUPTURE CURRENTS
- MOUNTING NUT TORQUE ----- 40 LB.-IN. MAX.

MAXIMUM OPERATING ALTITUDE: 80,000 FT. (24,384 M)

WEIGHT: 28.0 GRAMS MAX.

MAXIMUM OPERATING FORCES:
 PULL OUT ----- 5 LBS. MAX. (22.2 N)
 RESET ----- 5 LBS. MAX. (22.2 N)

ENDURANCE:

120 VAC -----	400 HZ INDUCTIVE -----	2500 CYCLES
120 VAC -----	400 HZ RESISTIVE -----	5000 CYCLES
30 VDC -----	INDUCTIVE -----	2500 CYCLES
30 VDC -----	RESISTIVE -----	5000 CYCLES
NO LOAD -----	MECHANICAL -----	5000 CYCLES

CALIBRATION:

AMBIENT TEMP.	HOLD	TRIP	200%	500%	1000%
+25°C (+77°F)	115% RATING	150% RATING	2-20 SEC.	.16-1.2 SEC.	.046-0.8 SEC.
-55°C (-67°F)	135% RATING	180% RATING	-----	-----	-----
+71°C (+160°F)	90% RATING	130% RATING	-----	-----	-----

PART NO.	AMP RATING	MAXIMUM VOLTAGE DROP	CURRENT INTERRUPTING CAPACITY	
			120 VAC, 400 HZ	28 VDC
7274-67-1/2	1/2	2.00	UNLIMITED	UNLIMITED
7274-67-3/4	3/4	1.45	UNLIMITED	UNLIMITED
7274-67-1	1	1.10	UNLIMITED	UNLIMITED
7274-67-1 1/2	1 1/2	0.75	UNLIMITED	UNLIMITED
7274-67-2	2	0.75	800 AMPS	UNLIMITED
7274-67-2 1/2	2 1/2	0.70	800 AMPS	UNLIMITED
7274-67-3	3	0.55	800 AMPS	UNLIMITED
7274-67-4	4	0.45	800 AMPS	UNLIMITED
7274-67-5	5	0.35	800 AMPS	UNLIMITED
7274-67-7 1/2	7 1/2	0.30	500 AMPS	2000 AMPS
7274-67-10	10	0.28	500 AMPS	2000 AMPS
7274-67-15	15	0.25	500 AMPS	2000 AMPS
7274-67-20	20	0.25	500 AMPS	800 AMPS

NOTES:

- ALL MOUNTING HARDWARE HAS A DULL BLACK FINISH.
- CIRCUIT BREAKERS ARE SUITABLE FOR MOUNTING IN A 1/8" THICK PANEL OR LESS.
- EPOXY SURFACES ARE NON-DIMENSIONED, ENVELOPE DIMENSIONS DO NOT APPLY TO THESE PROJECTED EPOXY SURFACES.
- NON FUNCTIONAL NOTCH ON THE BACK OF THE KEYWAY WASHER IS OPTIONAL.

FOR REFERENCE ONLY, CHECK LATEST REVISION BEFORE USE. PARTS MADE TO THIS PRINT MUST CONFORM TO E9898 REV. E		529 PLEASANT STREET P.O. BOX 2964 ATTLEBORO, MA 02703	
DRAWN TOM DAIL DATE 23-AUG-1991	ENGINEER K.B. GASSER DATE 13-AUG-1992		
APPROVED D.R. PETRIE DATE 21-DEC-1994	DATE	TITLE 7274-67 STYLE CIRCUIT BREAKER PUSH-PULL, TRIP FREE ENVELOPE DRAWING	
DO NOT SCALE DRAWING	THIRD ANGLE PROJECTION	SIZE C	DWG NO. 7274-67
SCALE 1:1	AUTOCAD	REV. G	SHEET 1 OF 1