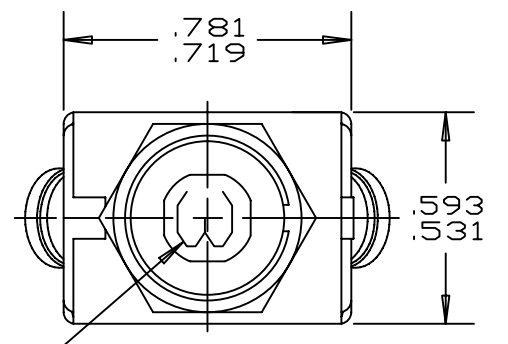
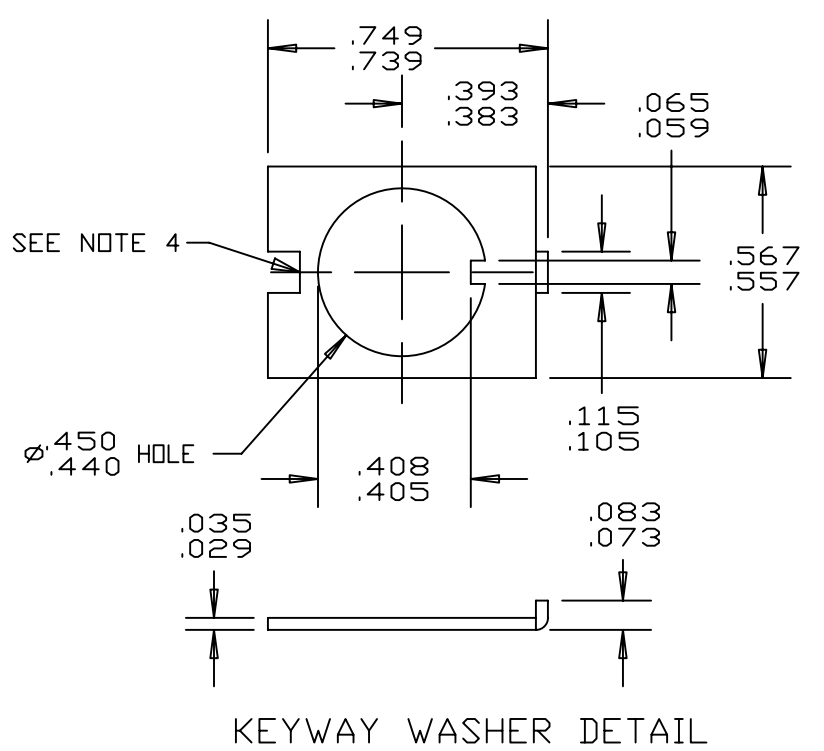
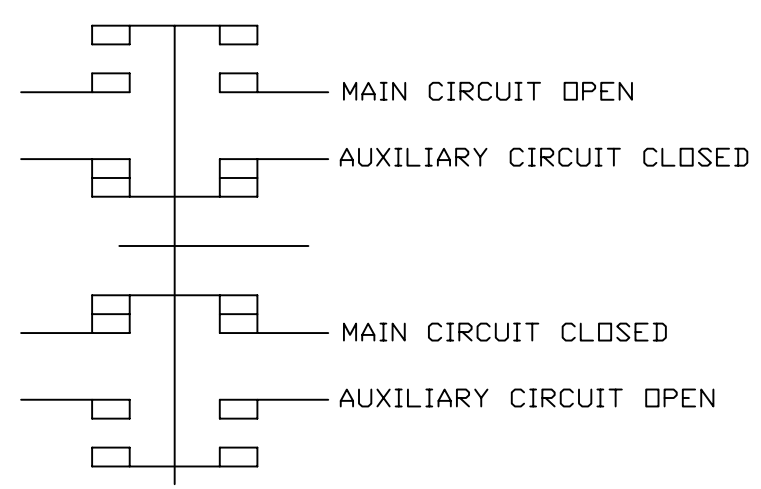
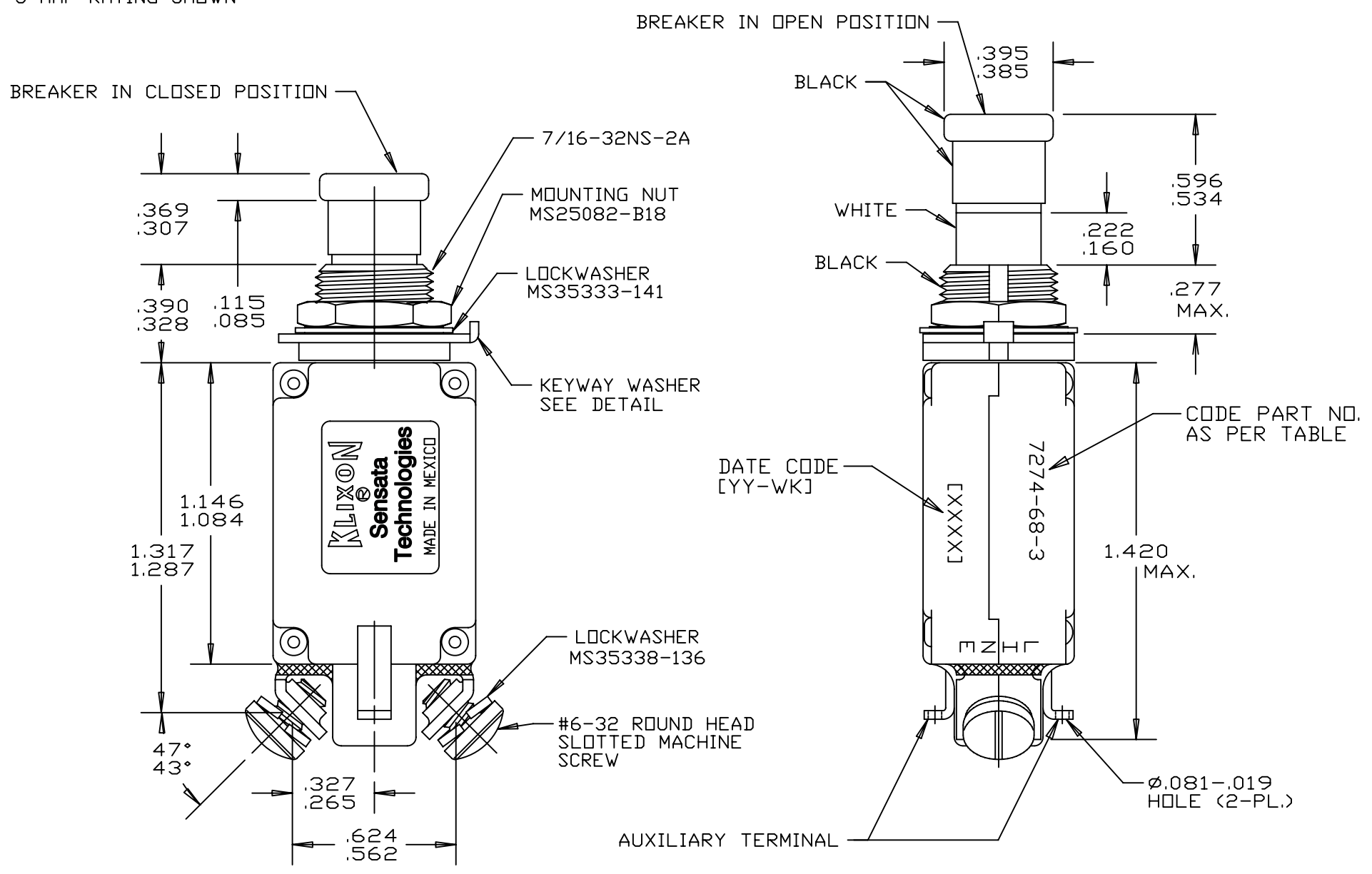


Property of
Sensata Technologies

ZONE	REV.	REVISION DESCRIPTION	ECN NO.	DATE
	J	MOD LOGO BOX; PD	ECN0036320	28-JUN-2007



3 AMP RATING SHOWN



PERFORMANCE CHARACTERISTICS (DETAIL PERFORMANCE PER MIL-C-5809)

- OVERLOAD CYCLING ----- 100 CYCLES AT 200% RATING
- SINUSOIDAL VIBRATION ----- 10 G'S 50-500 HZ
- MECHANICAL SHOCK ----- 30 G'S AT 11.0 MILLISECOND DURATION
- ACCELERATION ----- 10 G'S MINIMUM
- SAND AND DUST ----- 12 HOURS
- CORROSION ----- SALT SPRAY 48 HOURS
- HUMIDITY ----- 10 DAYS
- EXPLOSION PROOF ----- WHILE INTERRUPTING RUPTURE CURRENTS
- MOUNTING NUT TORQUE ----- 40 LB.-IN. MAX.

MAXIMUM OPERATING ALTITUDE: 80,000 FT. (24,384 M)

WEIGHT: 28.0 GRAMS MAX.

MAXIMUM OPERATING FORCES:
 PULL OUT ----- 5 LBS. MAX. (222 N)
 RESET ----- 5 LBS. MAX. (222 N)

ENDURANCE:
 120 VAC ----- 400 HZ INDUCTIVE ----- 2500 CYCLES
 120 VAC ----- 400 HZ RESISTIVE ----- 5000 CYCLES
 30 VDC ----- INDUCTIVE ----- 2500 CYCLES
 30 VDC ----- RESISTIVE ----- 5000 CYCLES
 NO LOAD ----- MECHANICAL ----- 5000 CYCLES

AUXILIARY CIRCUIT ENDURANCE:
 5 - 120 VAC ----- INDUCTIVE 2 AMP 5000 CYCLES
 RESISTIVE 3 AMP 5000 CYCLES
 5 - 30 VAC ----- INDUCTIVE 3 AMP 5000 CYCLES
 RESISTIVE 5 AMP 5000 CYCLES

CALIBRATION:

AMBIENT TEMP.	HOLD	TRIP	200%	500%	1000%
+25°C (+77°F)	115% RATING	150% RATING	2-20 SEC.	.16-1.2 SEC.	.046-0.8 SEC.
-55°C (-67°F)	135% RATING	180% RATING			
+71°C (+160°F)	90% RATING	130% RATING			

PART NO.	AMP RATING	MAXIMUM VOLTAGE DROP	CURRENT INTERRUPTING CAPACITY	
			120 VAC, 400 HZ	28 VDC
7274-68-1/2	1/2	2.00	UNLIMITED	UNLIMITED
7274-68-3/4	3/4	1.45	UNLIMITED	UNLIMITED
7274-68-1	1	1.10	UNLIMITED	UNLIMITED
7274-68-1 1/2	1 1/2	0.75	UNLIMITED	UNLIMITED
7274-68-2	2	0.75	800 AMPS	UNLIMITED
7274-68-2 1/2	2 1/2	0.70	800 AMPS	UNLIMITED
7274-68-3	3	0.55	800 AMPS	UNLIMITED
7274-68-4	4	0.45	800 AMPS	UNLIMITED
7274-68-5	5	0.35	800 AMPS	UNLIMITED
7274-68-7 1/2	7 1/2	0.30	500 AMPS	2000 AMPS
7274-68-10	10	0.28	500 AMPS	2000 AMPS
7274-68-15	15	0.25	500 AMPS	2000 AMPS
7274-68-20	20	0.25	500 AMPS	800 AMPS

NOTES:

- ALL MOUNTING HARDWARE HAS A DULL BLACK FINISH.
- CIRCUIT BREAKERS ARE SUITABLE FOR MOUNTING IN A 1/8" THICK PANEL OR LESS.
- EPOXY SURFACES ARE NON-DIMENSIONED, ENVELOPE DIMENSIONS DO NOT APPLY TO THESE PROJECTED EPOXY SURFACES.
- NON FUNCTIONAL NOTCH ON THE BACK OF THE KEYWAY WASHER IS OPTIONAL.

FOR REFERENCE ONLY, CHECK LATEST REVISION BEFORE USE. PARTS MADE TO THIS PRINT MUST CONFORM TO E9898 REV. E		529 PLEASANT STREET P.O. BOX 2964 ATTLEBORO, MA 02703	
DRAWN CHAS. FLEURANT DATE 26-JUL-1991	ENGINEER K.B. GASSER DATE 13-AUG-1992 APPROVED		
<small>SENSATA TECHNOLOGIES PROPRIETARY AND CONFIDENTIAL. NEITHER THIS PRINT NOR THE INFORMATION CONTAINED HEREON IS TO BE USED AGAINST THE INTERESTS OF SENSATA TECHNOLOGIES OR AGAINST THE INTERESTS OF ANY OF ITS AFFILIATED COMPANIES OR WHOLLY OWNED SUBSIDIARIES.</small>		TITLE 7274-68 STYLE CIRCUIT BREAKER PUSH-PULL, TRIP FREE ENVELOPE DRAWING	
DATE APPROVED	DATE	SIZE C	REV. J
DO NOT SCALE DRAWING		THIRD ANGLE PROJECTION	
DATE		SCALE 1:1	AUTOCAD SHEET 1 OF 1
DEVICE:		PROJECT:3457 1	