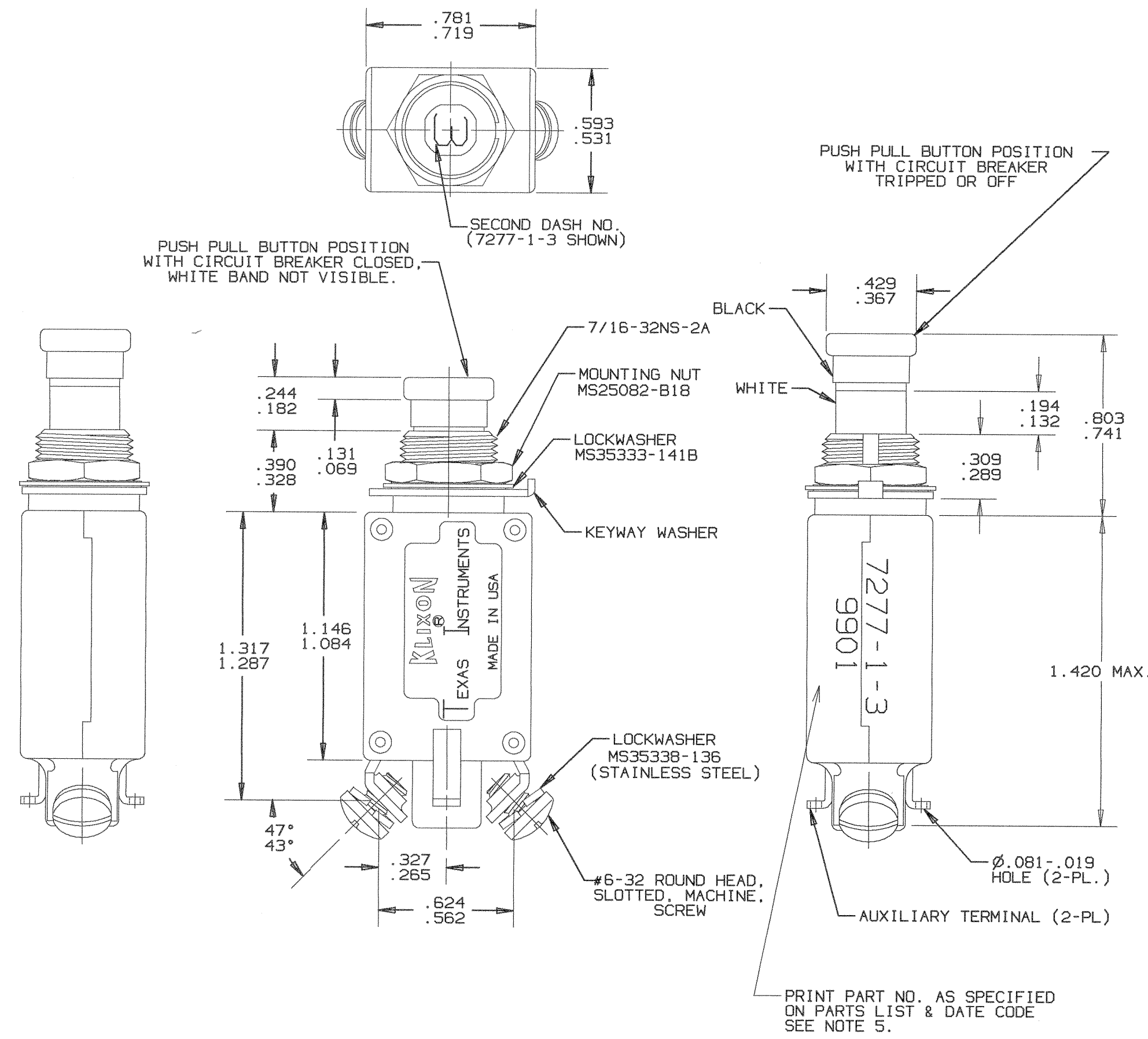


REVISIONS					
ZONE	LTR	DESCRIPTION	PROJ. 343B	DATE	APPROVED
	L	MOVED CODING TO THE KEYWAY SIDE	CRM49476 JRB	6-28-00	M.J.L.



PERFORMANCE CHARACTERISTICS (DETAIL PERFORMANCE PER MIL-C-5809)

OVERLOAD CYCLING ----- 100 CYCLES AT 200% RATING  
 VIBRATION ----- 10 G'S 50-500 HZ  
 MECHANICAL SHOCK ----- 35 G'S AT 11.5 MILLISECOND DURATION  
 ACCELERATION ----- 10 G'S MINIMUM  
 SAND AND DUST ----- 12 HOURS  
 CORROSION ----- SALT SPRAY 50 HOURS  
 HUMIDITY ----- 10 DAYS  
 EXPLOSION PROOF ----- WHILE INTERRUPTING RUPTURE CURRENTS

ENDURANCE: 120 VAC ----- 400 HZ INDUCTIVE ----- 2500 CYCLES  
 RESISTIVE ----- 5000 CYCLES  
 30 VDC ----- INDUCTIVE ----- 2500 CYCLES  
 RESISTIVE ----- 5000 CYCLES  
 MECHANICAL ----- 5000 CYCLES

AUXILIARY CIRCUIT ENDURANCE  
 5 - 120 VAC INDUCTIVE 2 AMP 5000 CYCLES  
 RESISTIVE 3 AMP 5000 CYCLES  
 5 - 30 VDC INDUCTIVE 3 AMP 5000 CYCLES  
 RESISTIVE 5 AMP 5000 CYCLES

CALIBRATION: 1/2 AMP THRU 10 AMP

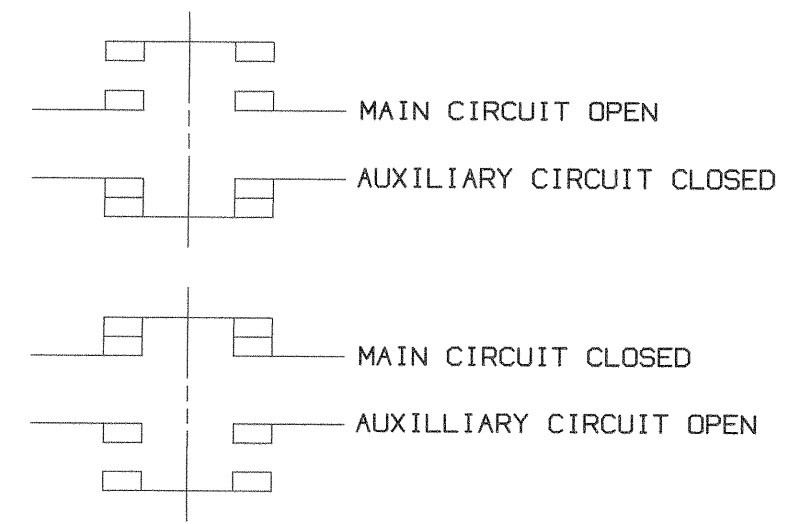
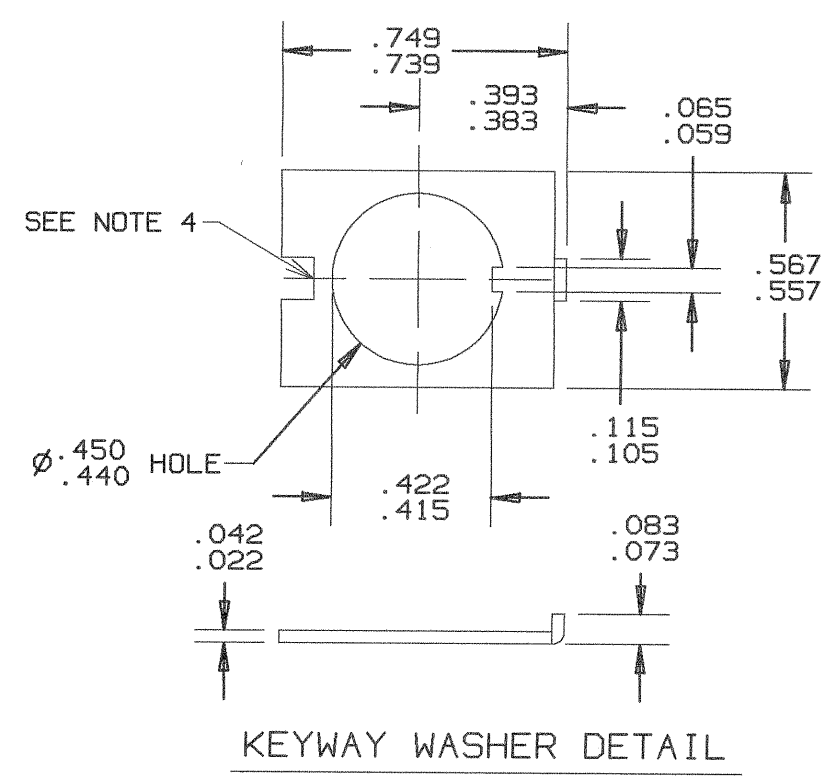
AMBIENT TEMP.	MIN.ULT.TRIP	MAX.ULT.TRIP	200%	500%	1000%
+25°C	110% RATING	150% RATING	2-35 SEC.	.15-1.75 SEC.	.028-.8 SEC.

PART NO.	AMP RATING	MAXIMUM VOLTAGE DROP	CURRENT INTERRUPTING CAPACITY	
			120 VAC, 400 HZ	28 VDC
7277-1-1/2	1/2	2.00	UNLIMITED	UNLIMITED
7277-1-3/4	3/4	1.45	UNLIMITED	UNLIMITED
7277-1-1	1	1.10	UNLIMITED	UNLIMITED
7277-1-1 1/2	1 1/2	0.75	UNLIMITED	UNLIMITED
7277-1-2	2	0.70	800 AMPS	UNLIMITED
7277-1-2 1/2	2 1/2	0.50	800 AMPS	UNLIMITED
7277-1-3	3	0.33	800 AMPS	UNLIMITED
7277-1-4	4	0.30	800 AMPS	UNLIMITED
7277-1-5	5	0.25	800 AMPS	UNLIMITED
7277-1-7 1/2	7 1/2	0.20	500 AMPS	2000 AMPS
7277-1-10	10	0.15	500 AMPS	2000 AMPS
7277-1-15	15	0.15	500 AMPS	2000 AMPS
7277-1-20	20	0.15	500 AMPS	2000 AMPS

NOTES:

1. ALL MOUNTING HARDWARE HAS A DULL BLACK FINISH.
2. WEIGHT ACTUAL: 25 GRAMS
3. EPOXY SURFACES ARE NON-DIMENSIONED. ENVELOPE DRAWING DIMENSIONS DO NOT APPLY TO THESE PROJECTED EPOXY SURFACES.
4. NON FUNCTIONAL NOTCH ON THE BACK OF THE KEYWAY WASHER IS OPTIONAL.
5. DATE CODE SPEC: 10588-285

SUPERSEDES DWG. 7277-1 REV."K", DATED 5-19-99



UNLESS OTHERWISE SPECIFIED DIMENSIONS ARE IN INCHES		DRAWN CHAS. FLEURANT	DATE 10-30-91	RS	Q3	P18
TOLERANCE ON FRACTIONS DECIMALS ANGLES		ENGINEER K.B. GASSER	3-9-92	TEXAS INSTRUMENTS ATTLEBORO, MASSACHUSETTS 02703		
MATERIAL		APPROVED		KLIXON CONTROL PRODUCTS DIVISION		
		APPROVED		TITLE 7277-1 TYPE PUSH-PULL TRIP FREE CIRCUIT BREAKER WITH AUX. CIRCUIT ENVELOPE DRAWING		
		SIGNATURES ON FILE. REFER TO ELECTRONIC CHANGE NOTICE.		SIZE C	CODE IDENT NO. 82647	7277-1
						SHEET 1 OF 1