

HONEYWELL PART NUMBER
77030

REV	DOCUMENT	CHANGED BY	CHECK
E	0068753	VKK 02SEP10	CMH

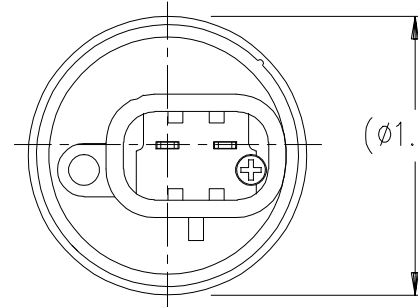
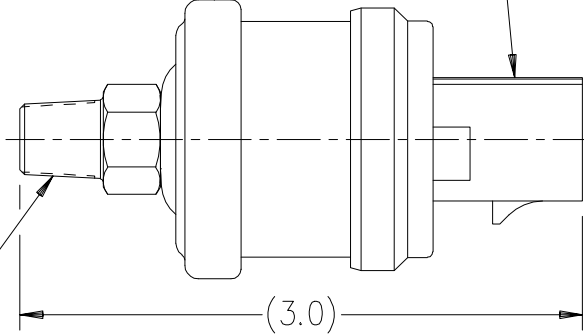
HONEYWELL PART NUMBER, PRESSURE
SETTING AND DATE CODE

MATES WITH PACKARD CONNECTOR
#15300027

1/8-27 NPT

(3.0)

(ø1.47)



CUSTOMER: _____

APPROVED BY: _____

DATE: _____

CUSTOMER
PART NO.: _____

NOTES:

1. SINGLE CIRCUIT NORMALLY OPEN PRESSURE SWITCH.
2. CLOSING ADJUSTMENT RANGE 4 - 6 PSI.
3. SWITCH IS FURNISHED WITH STEEL BASE ASSY. (.500 HEX) AS A STANDARD UNLESS BRASS BASE ASSY. (.437 HEX) IS SPECIFIED AS AN OPTION BY CUSTOMER ADDING SUFFIX "B" TO THE HONEYWELL PART NUMBER ON THE PURCHASE ORDER, e.g. XXXXXB.
4. DIMENSIONS ARE FOR REFERENCE ONLY UNLESS OTHERWISE SPECIFIED.

CUSTOMER PRINT

DESIGN UNITS: INCH			
TOLERANCES UNLESS NOTED:			
NO PLACES	X	±	-
ONE PLACE	.X	±	.020
TWO PLACE	.XX	±	.010
THREE PLACE	.XXX	±	.005
FOUR PLACE	.XXXX	±	.0005
ANGLES	X	±	0°30'

DRAWN	D MCGEE	24OCT01
CHECK	-	-

THIS DRAWING COVERS A PROPRIETARY ITEM AND IS THE PROPERTY OF HONEYWELL. THIS DRAWING IS NOT TO BE COPIED OR USED WITHOUT THE PERMISSION OF HONEYWELL.

INTERPRET PER ASME Y14.5M-1994 OTHER HONEYWELL ENGINEERING STANDARDS MAY APPLY

AUTOCAD 2D

Honeywell

TITLE: PRESSURE SWITCH N.O. METRI-PACK CONNECTOR 5000 SERIES SWITCH

SIZE	TYPE	CAGE CODE	DRAWING NAME	REV
A	I	-	77030	E

SCALE	NONE	SHEET	1 OF 1
-------	------	-------	--------

THIRD ANGLE PROJECTION

