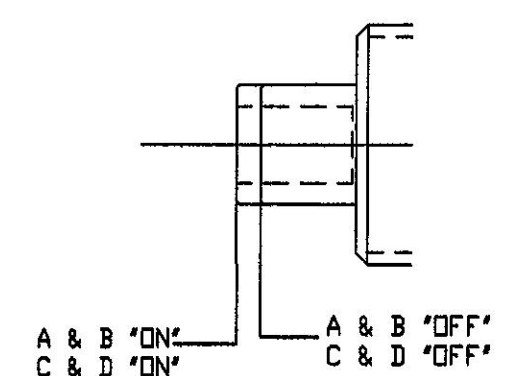
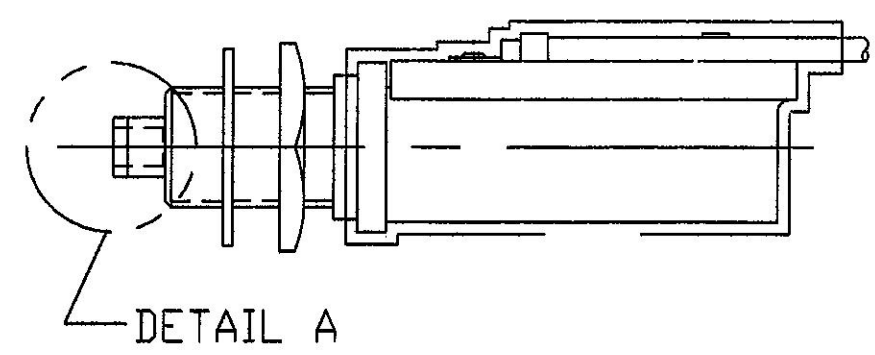
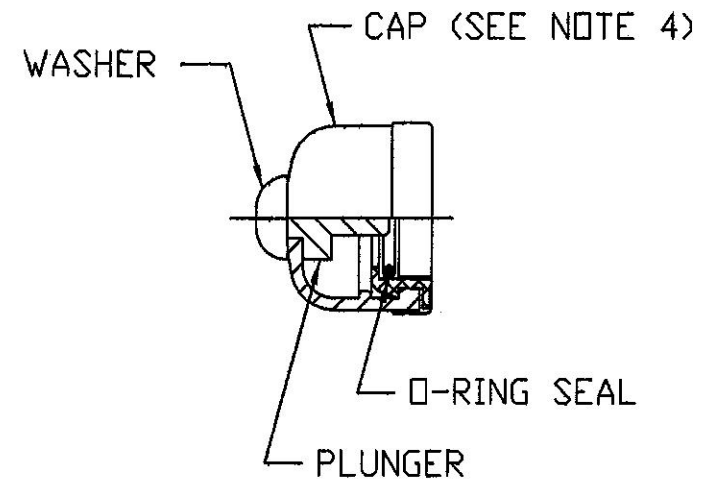
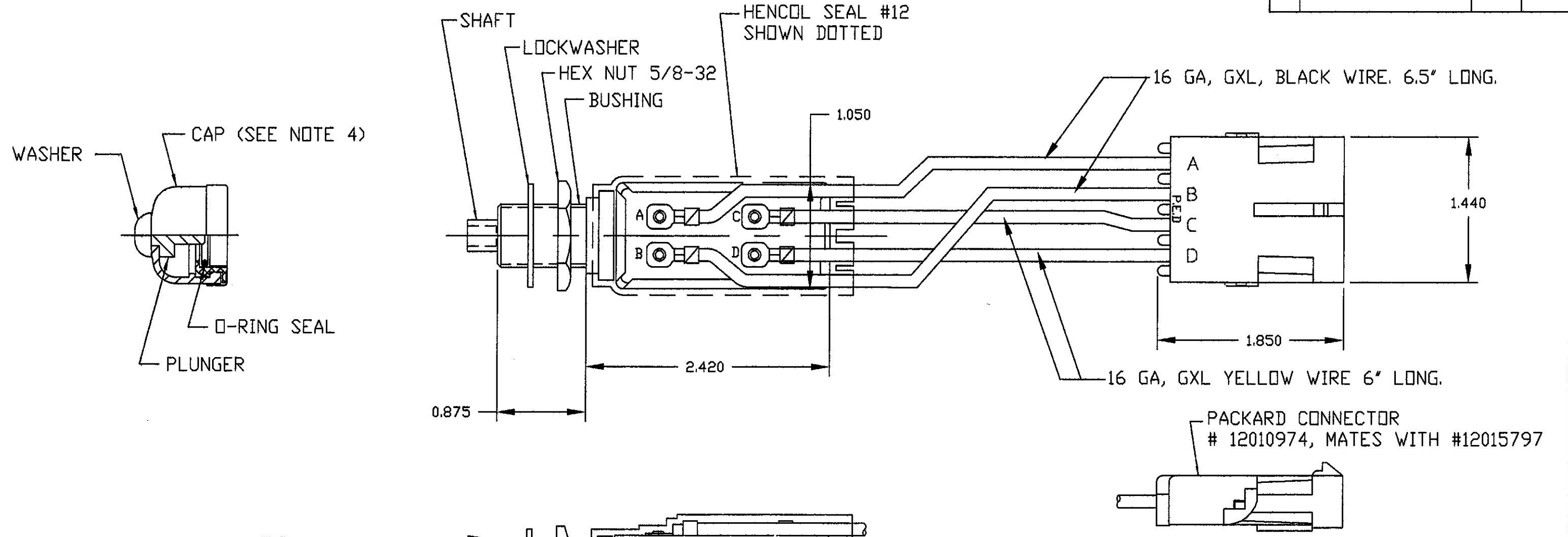


Revision Control Record			
Rev.	Description of Change	ECN No.	Date
A	NEW PRODUCT RELEASE	06293	09/08/06



- NOTES:
1. NORMALLY ON, MOMENTARY OFF, DPST SWITCH
 2. ALL STEEL PARTS PLATED.
 3. SILVER CONTACT SURFACES
 4. CAP SHIPPED ASSEMBLED TO BUSHING.
 5. FIBER GASKET IN FRONT END OF BUSHING.
 6. ALL DIMENSIONS ARE REFERENCE

DETAIL A

<p>Tolerances. Unless otherwise specifically noted, the following are default tolerances:</p> <ul style="list-style-type: none"> • 2-place Decimal Dimensions $\pm .02$" • 3-place Decimal Dimensions $\pm .005$" • Angular Dimensions ± 1.5 Deg. • Metric: Refer to equivalent English Dimension Tolerance <p>>>> NOTE: All tolerances are Non-Cumulative. <<<</p>		<p>PROPRIETARY INFORMATION. This Engineering Drawing, and the information contained herein, is proprietary to Cole Hersee Company and may not be disclosed, re-produced, or in any other way transferred or communicated to any other party without the express written consent of an authorized representative of Cole Hersee Company.</p>		<p>Special Characteristics:</p> <ul style="list-style-type: none"> ⊠ Critical Characteristic, relating to Safety and/or Regulatory Compliance X Significant Characteristics relating to Process Control (SPC) Ⓚ Control Dimension relating to Form - Fit - Function as defined by Cole Hersee Company and/or the Customer <p>(Note that the identification of any Characteristics as being "Special" does not alter the requirement that ALL specified dimensions & tolerances must be met.)</p>		<p>Cole Hersee Co. 20 Old Colony Ave., South Boston, MA, 02127 Phn: 617-258-2100 Web: www.colehersee.com</p>	
<p>Dimensional Units. All dimensions are expressed in inches except those shown in brackets (xxx) are expressed in millimeters</p> <p>*RFE* or an Asterisk (*) = Non-Tolerance Reference Dimension, shown for clarification purposes only.</p>		<p>DESIGN CONTROL. It is the responsibility of the individual using/ referencing this drawing to assure that the noted design revision level agrees with the revision level of the Controlled Document (Master Drawing). This is a NON-CONTROLLED DOCUMENT unless otherwise specifically noted.</p>		<p>DO NOT SCALE - Dimensional variation may occur during printing/ reproduction.</p>		<p>Description: SWITCH, MOM. N.C, DP</p>	
<p>Used On or Ref:</p>	<p>Scale: 1:1</p>	<p>Drawn By: G.A</p>	<p>Date Drawn: 08/28/06</p>	<p>Responsible Engineer: GAUGURTE</p>	<p>Pg. 1 of 1</p>	<p>Drawing/ Part No.: 90073-07</p>	<p>Current Rev.: A</p>