



### Certifications & Ratings

- AREMA compliant

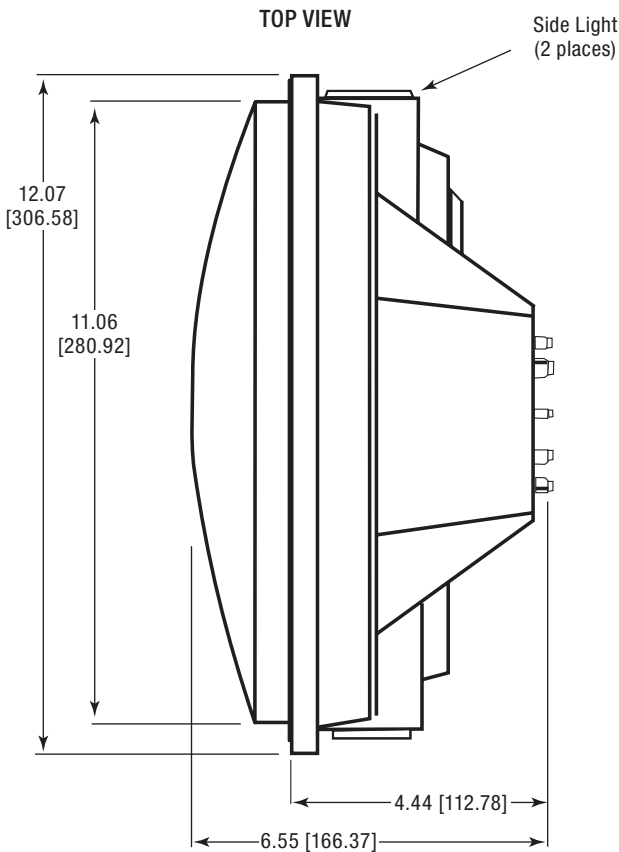
### Application

Dialight's 433 Series LED signal lights were designed specifically for Rail crossing applications. Their low power operation and low in-rush current ensure longer battery life and less wear on relay contacts. Faster on/off response times and monochromatic color make these LED modules more conspicuous than their incandescent counterparts. Designed with safety in mind, Dialight's unique side-light configuration uses light from the front aspect of the module to concurrently illuminate the sides.

All of Dialight's rail crossing lights operate on both AC and DC voltages, and can be easily installed without the use of special tools.

### Dimensions

inches [mm]



### Features & Benefits

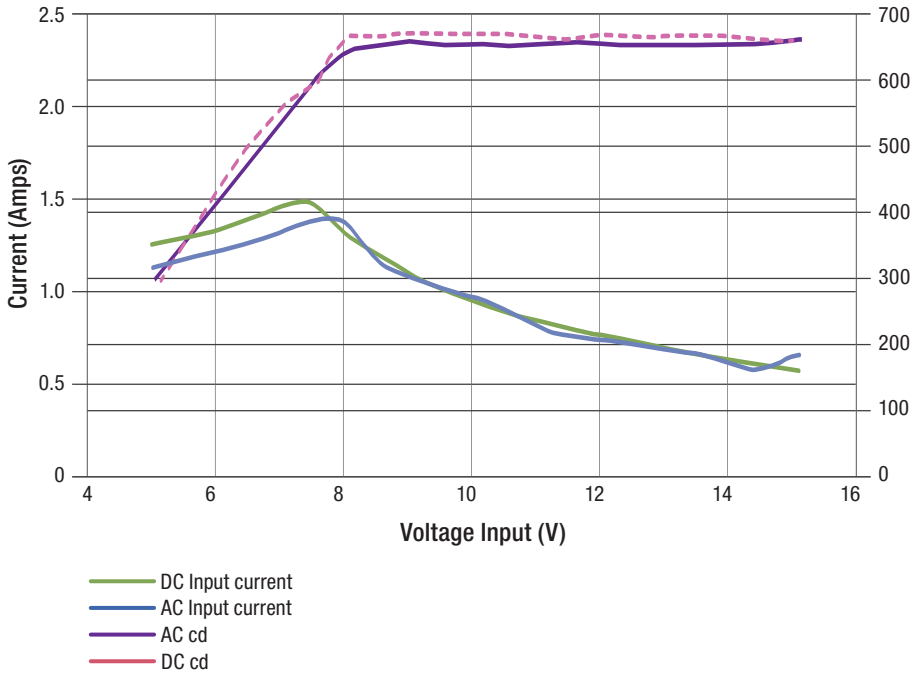
- 5 year full performance warranty
- AC/DC operation from 8 to 16 volts full output (operation down to 5 volts)
- Side light indicators reflect main beam signal for extra safety
- Designed to retrofit existing lamp housings with no beam alignment necessary
- 24" wire with ring terminations easily attach to AREMA posts
- Red tinted, UV-stabilized, hard coated lens for extended life
- Better visibility and faster response time than incandescent
- Flicker resistant
- Reduced power consumption
- Foam gasket seals light face to signal housing
- FCC compliant for EMI

### Operating Conditions

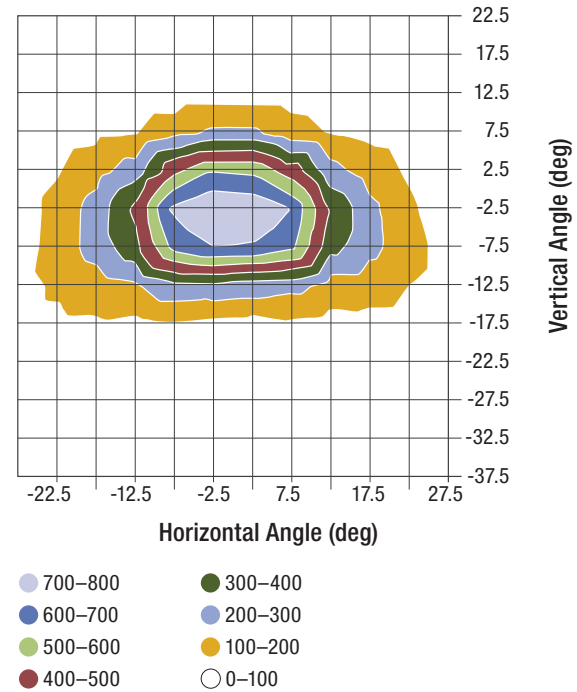
<b>Operating Temperature:</b>	-40 °C to +70 °C
<b>Operating Voltage:</b>	8 to 16 V AC/DC
<b>Operating Current @ 10V:</b>	1 Amp DC / 1 Amp RMS (AC)
<b>Power Factor :</b>	> 98%
<b>Chromaticity:</b>	$y \geq 0.330$ and $y \leq 0.998-x$
<b>In-Rush Current:</b>	< 8 A @ 12 VDC, 0 ohms



### 6 LED 12" Crossing Light: V vs I and V vs Light Intensity Curves



### Isotropic Light Intensity (cd)



### Ordering Information 433 Series

Dialight P/N	Description
433-1R11-R111-1R00	With Sidelight, Red, 12" diameter, 8-14 Volts AC/DC, 24" leads, Ring lug, flat gasket (front), AREMA compliant