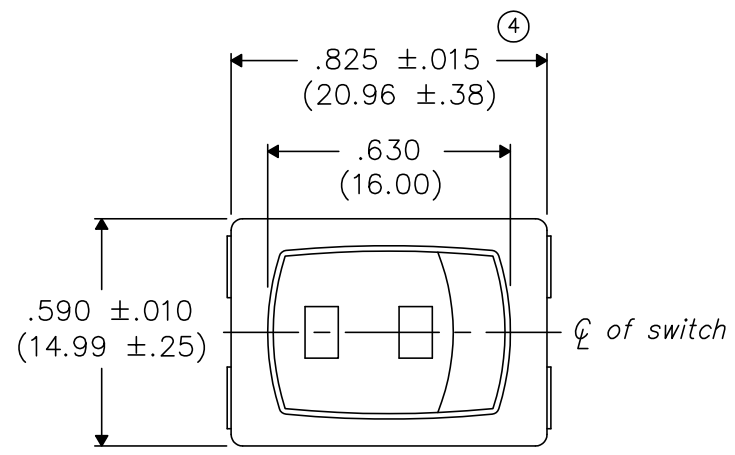
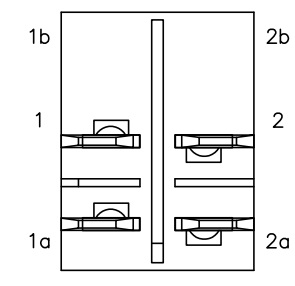
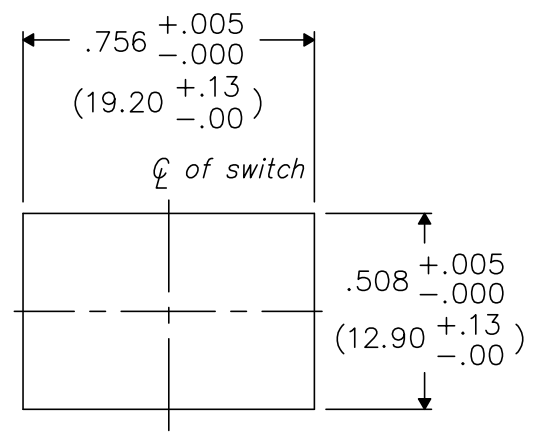


DIMENSIONS IN INCHES (MILLIMETERS)
DO NOT SCALE DRAWING

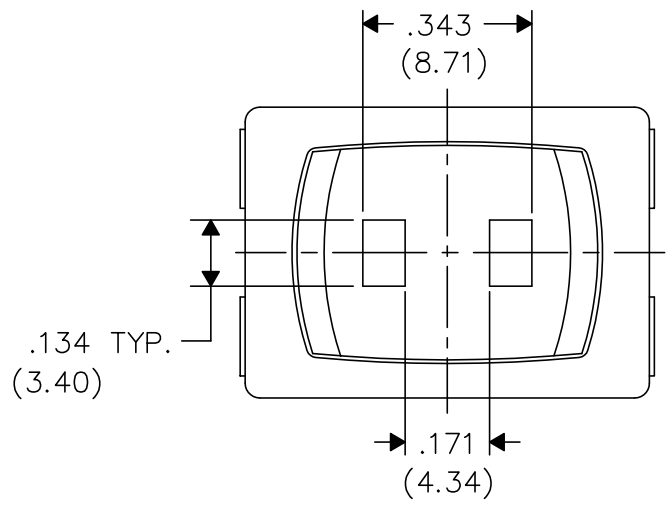
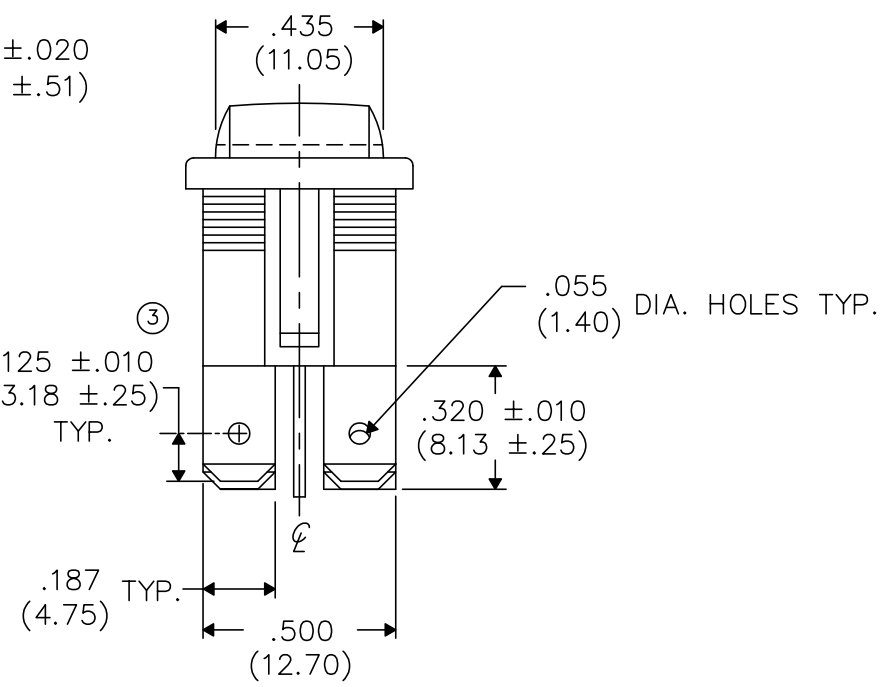
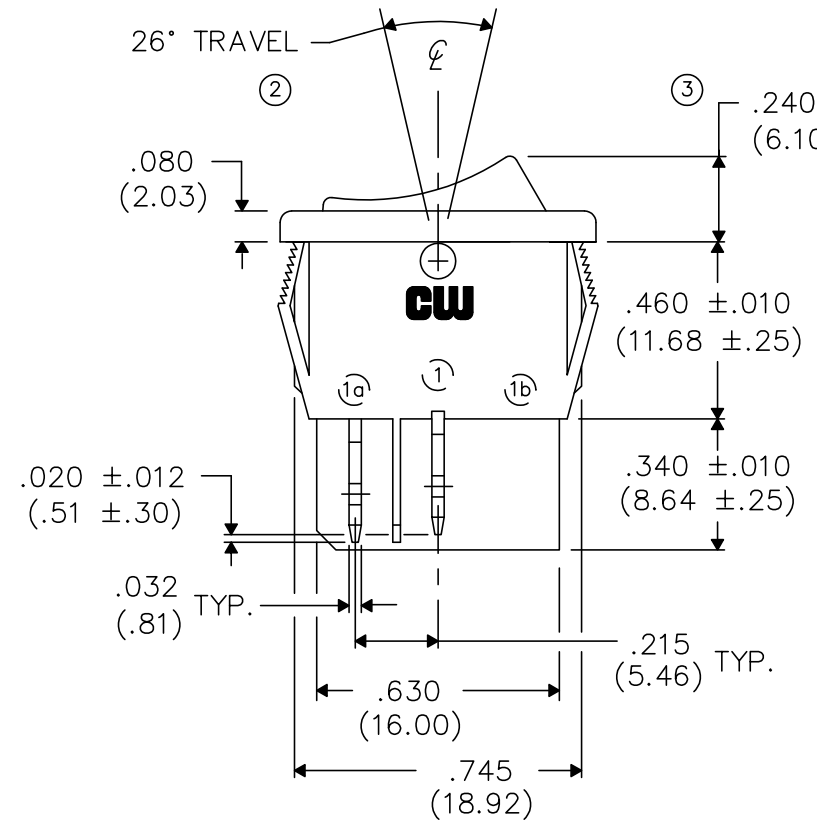
Dwg. No.
GRSV-4021-0005



PANEL PIERCING



BOTTOM VIEW



BUTTON ROTATED FOR HOLE DIMENSIONS

	1	2	3	4	5	6	7	8	9	10
--	---	---	---	---	---	---	---	---	---	----

REVISIONS	
0	RELEASED. DGW 8-15-2003 Aug. 20, 2003
1	ADDED TOP VIEW DETAIL WITH .134 TYP., .343 & .171. DGW 9-02-2003 BWF 9-02-2003
2	26° TRAVEL WAS 36°. DGW 9-03-2003 BWF 9-03-2003
3	REDRAWN. .240±.020 WAS .230±.020. ADDED .125±.010 TYP. TO TERMINAL IN SIDE VIEW. DGW 9-04-2003 BWF SEP. 05, 2003
4	.825±.015 WAS .825±.010 IN TOP VIEW. DGW 9-16-2003 BWF SEP. 16, 2003

PDF File Made	
Made for:	CW IND.
Drawn by:	DGW 8-15-2003
Checked by:	GG 9-5-3
Approval:	BF 9-5-3

CW INDUSTRIES
Southampton, Pa. 18966

TOLERANCES UNLESS OTHERWISE SPECIFIED

2 Place Decimal ±.010	METRIC
3 Place Decimal ±.005	1 Place Dec. ±.25mm
Angles ±1°	2 Place Dec. ±.13mm

Title: **ROCKER SWIDGET ASSEMBLY FOR TOPPER (POP IN), W/BARR.S D.P./ S.T.**

Division: **SWITCH**

Dwg. No. **GRSV-4021-0005**