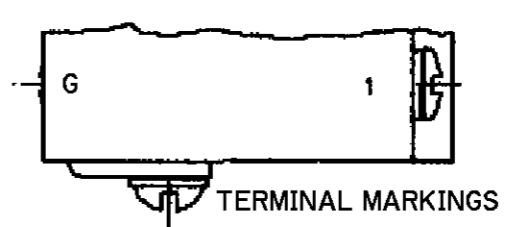
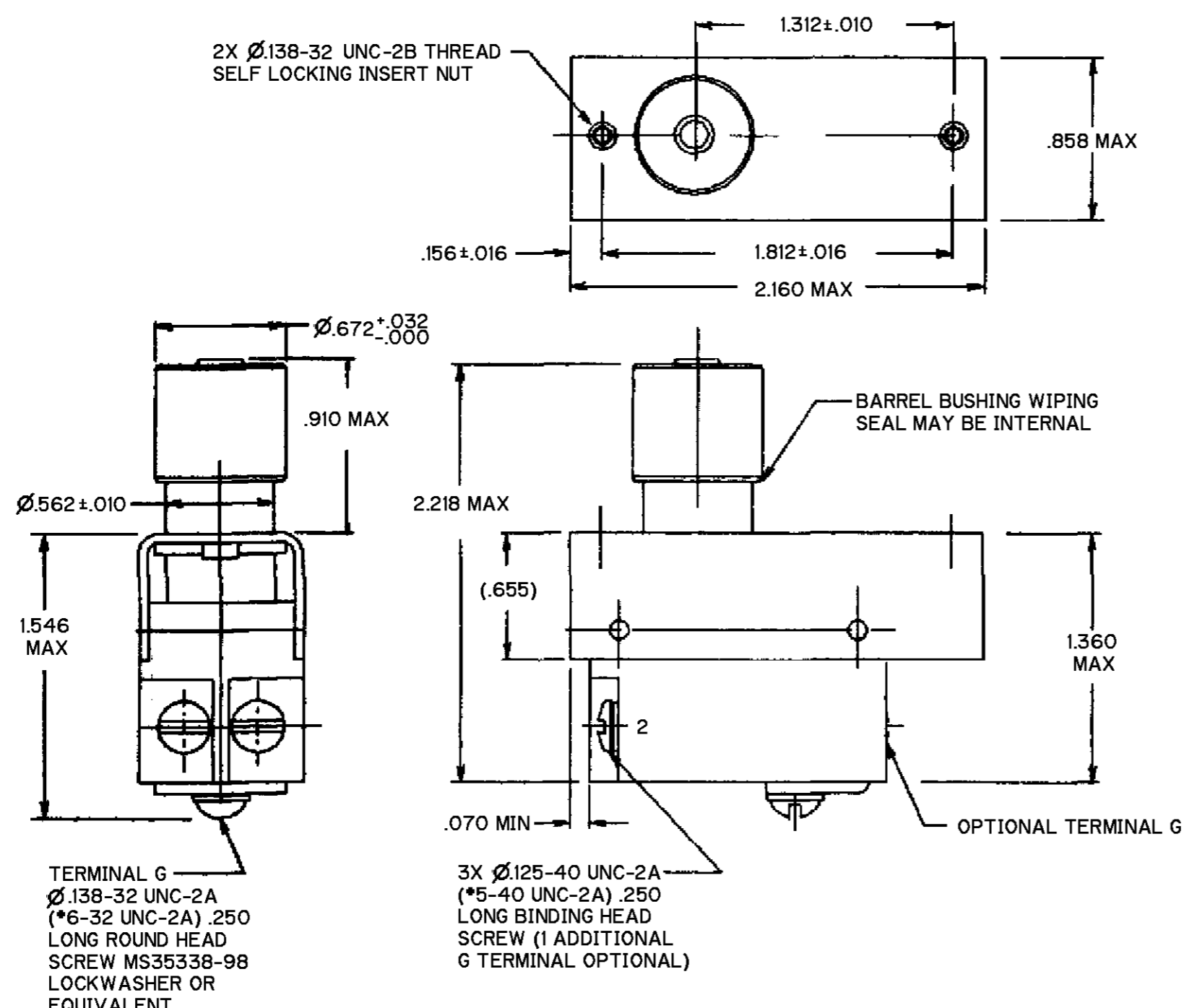


CATALOG LISTING
JS-557
PAGE 1 OF 1
REPLACES PR-24110
ISSUE 3
REVISIONS
A 0000318
C SL 30 MAY 03
B ECO 0002767
RS 06 JAN 04
CHECK SAV 7 OCT 99
DRAWN RASTER JJA 7 OCT 99



- NOTES
- 1 - SWITCH SEALED PER MIL-PRF-8805, SYMBOL 3
 - 2 - TERMINAL HARDWARE PACKET FURNISHED UNASSEMBLED:
15PA308-JS INCLUDES BUSS BRACKET AND TERMINAL SCREWS
 - 3 - MICRO SWITCH, MANUFACTURER'S CAGE CODE, CATALOG LISTING,
MILITARY PART NUMBER AND DATE CODE IDENTIFIED ON SIDE OF SWITCH
 - 4 - OPERATING TEMPERATURE RANGE: -40°C TO +85°C

THIS DRAWING COVERS A PROPRIETARY ITEM AND IS THE PROPERTY OF MICRO SWITCH, A DIVISION OF HONEYWELL. THIS DRAWING IS NOT TO BE COPIED OR USED WITHOUT THE APPROVAL OF MICRO SWITCH

THIRD ANGLE PROJECTION

CHARACTERISTICS	
ACTUATING FORCE	7 - 11 LBS
FULL OVERTRAVEL FORCE	20 LBS MAX
RELEASE FORCE	.5 LB MIN
PRETRAVEL	.090 MIN
DIFFERENTIAL TRAVEL	.050 MIN
OVERTRAVEL	.050 MIN
TOTAL TRAVEL	.165 MIN

ELECTRICAL DATA		
CONTACT ARRANGEMENT D P S T - N O		
28 VDC		
	RATED LOAD	OVERLOAD
INDUCTIVE	.75	1.75

SCALE NONE	
DO NOT SCALE PRINT	
UNLESS OTHERWISE SPECIFIED TOLERANCES ARE	
ONE PLACE	(.0) ±.030
TWO PLACE	(.00) ±.015
THREE PLACE	(.000) ±.005
ANGLES	±
WEIGHT	.25 LB MAX

