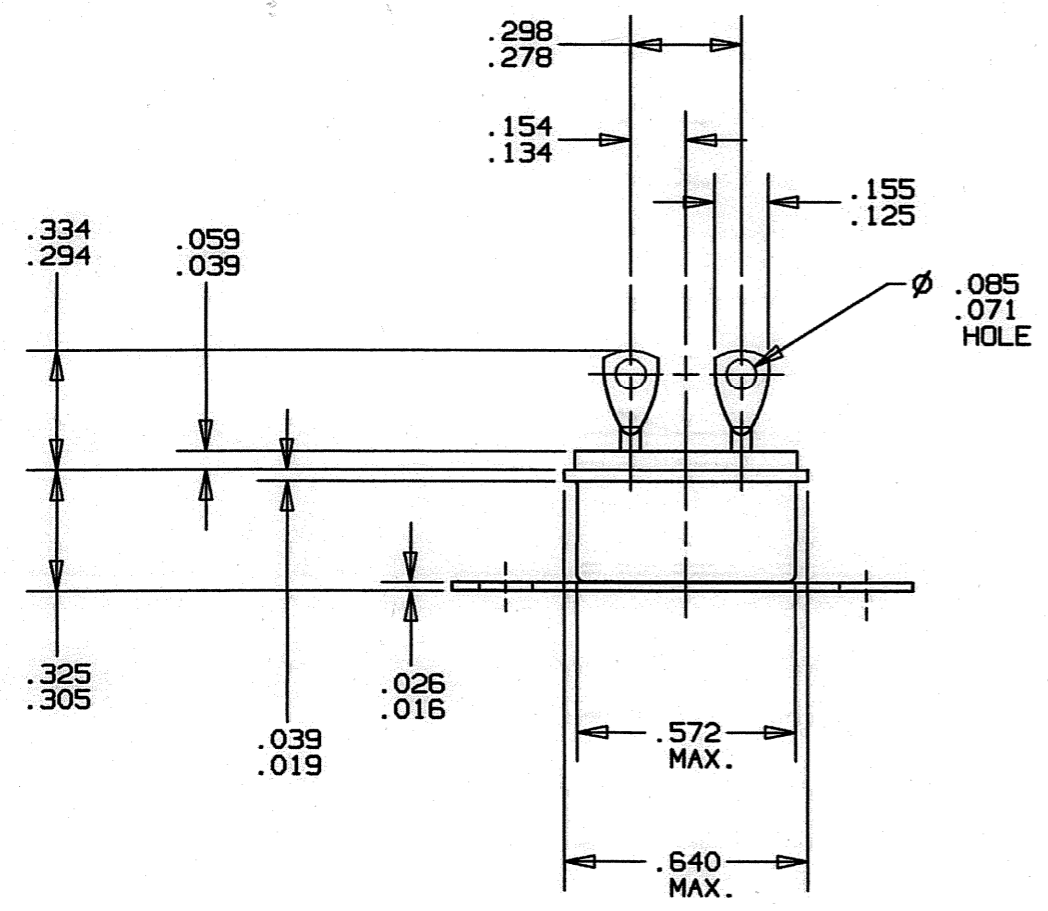
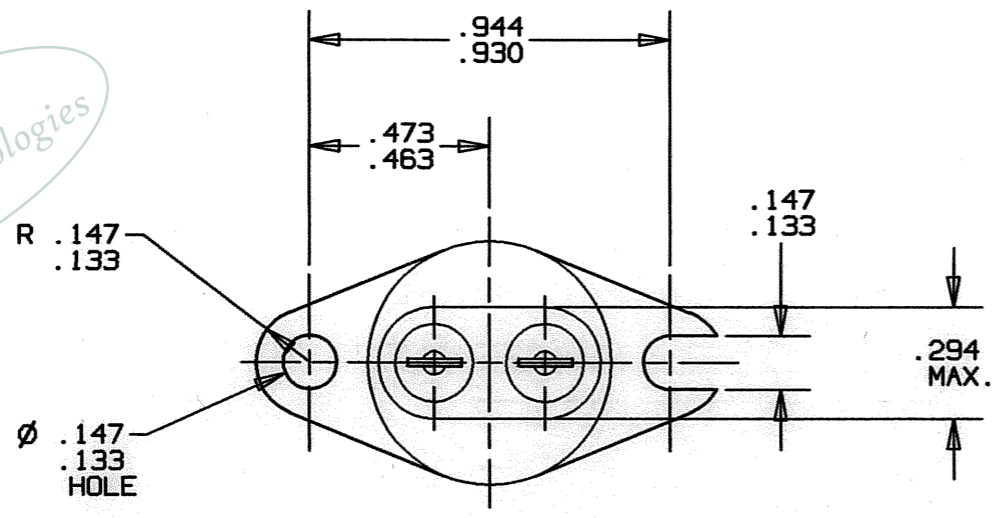


Property of  
Sensata Technologies



REVISIONS					
ZONE	LTR	DESCRIPTION	PROJ. # 256A	DATE	APPROVED
B-5	C	1: .334/.294 WAS .292 ±.015		4-11-96	S.B.M.
B-4		1: .155/.125 WAS .117/.137			
		2: .085/.071 WAS .078 ±.007			

CRM28333. CFF

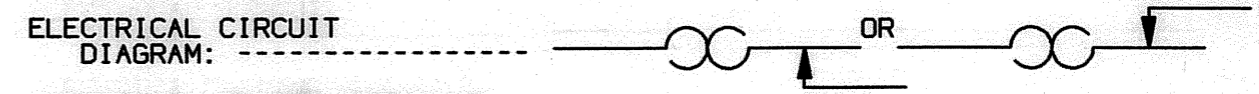
PART NO.: ----- 11041-51\*

OPERATING TEMPERATURE:  
 OPEN: ----- °F. ± °F.  
 CLOSE: ----- °F. ± °F.

FINISH: -----

WEIGHT: ----- 5.9 GRAMS MAX.

AMBIENT TEMPERATURE  
 EXPOSURE RANGE: ----- -65°F. TO +450°F.



ELECTRICAL RATING RESISTIVE

30 VAC/DC	125 VAC	250 VAC	LIFE CYCLES
5.0	2.0	1.0	100,000
5.5	3.0	1.5	50,000
6.0	4.0	2.0	25,000
6.5	5.0	2.5	10,000
7.0	6.0	3.0	5,000

DIELECTRIC STRENGTH  
 TERMINAL TO CASE: ----- 1250 VOLTS, RMS, 60 CYCLES FOR 1 MINUTE

NOTE: \*  
 FOR ORDERING PRODUCTION QUANTITIES TWO DASH NUMBERS ARE NECESSARY.  
 THE SECOND DASH NO. WILL BE ASSIGNED WHEN OPERATING CHARACTERISTICS  
 AND DESIGN DETAILS ARE ESTABLISHED.

SUPERSEDES DWG. 11041-51 REV. "B", DATED 2-7-89

UNLESS OTHERWISE SPECIFIED DIMENSIONS ARE IN INCHES		DATE	G4 P17	
DRAWN J.D. MAYALL		5-14-62	TEXAS INSTRUMENTS ATTLEBORO, MASSACHUSETTS 02703	
TOLERANCES ON FRACTIONS DECIMALS ANGLES		ENGINEER S.B. MARQUIS	4-11-96	KLIXON CONTROL PRODUCTS DIVISION
MATERIAL		APPROVED	TITLE 11041-51 THERMOSTAT SPST AUTO. RESET SEALED ENVELOPE DRAWING	
SIGNATURES ON FILE. REFER TO ELECTRONIC CHANGE NOTICE.		APPROVED	SIZE B	CODE IDENT NO. 82647
			11041-51	