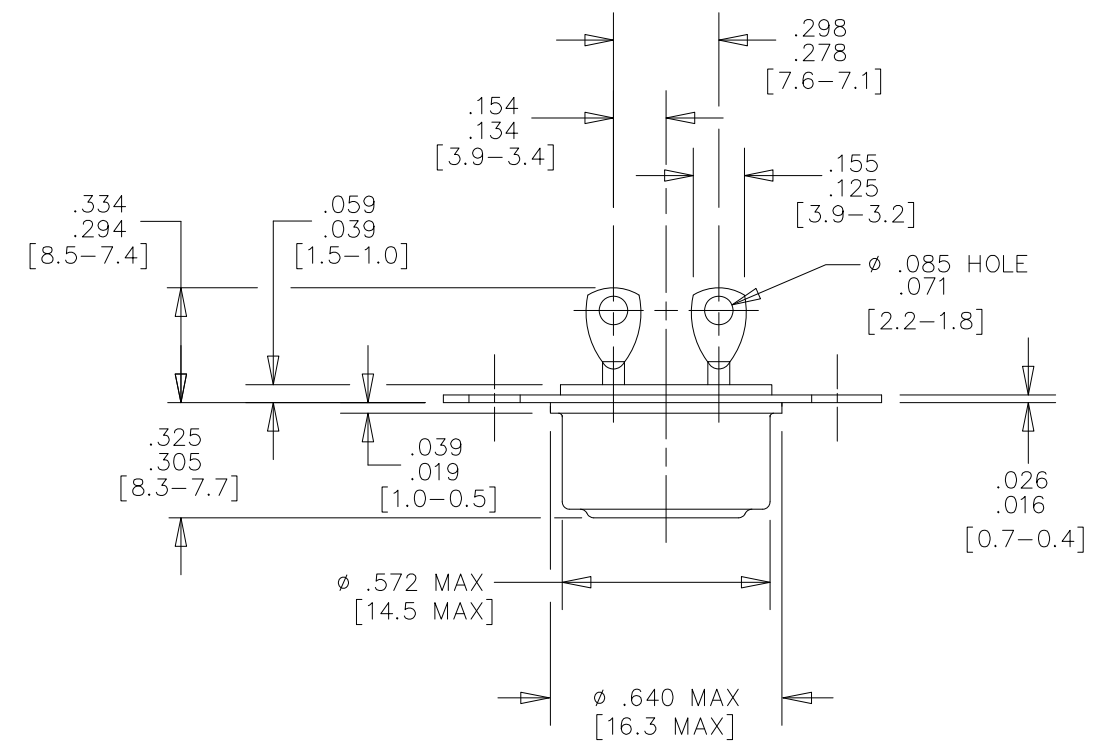
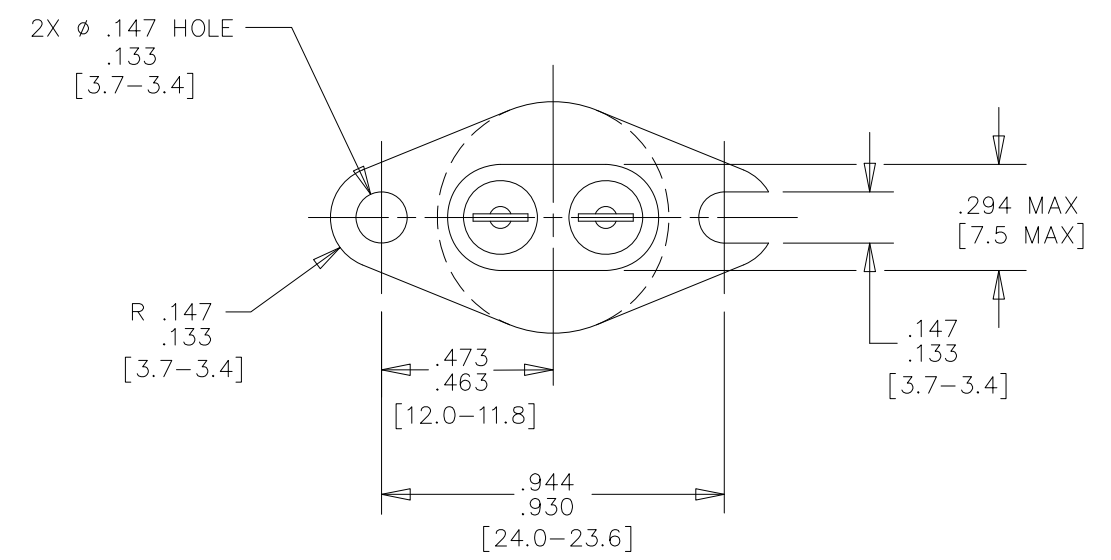


Property of
Sensata Technologies

ZONE	REV.	REVISION DESCRIPTION	ECN NO.	DATE
	D	RE-DOCUMENTED IN DWG. EDITOR, ADDED REF. MILLIMETER DIMENSIONS : D.P.	ECO-075424	17-APR-2012



[] BRACKET DENOTES METRIC

PART NO.: ----- 11041-13-*

OPERATING TEMPERATURE:
OPEN: ----- °F. \pm °F.
CLOSE: ----- °F. \pm °F.

FINISH: -----

WEIGHT: ----- 5.9 GRAMS MAX.

AMBIENT TEMPERATURE
EXPOSURE RANGE: ----- -65°F. TO +450°F [-53.9° TO 232.2°C].

ELECTRICAL CIRCUIT
DIAGRAM: ----- OR

ELECTRICAL RATING RESISTIVE

30 VAC/DC	125 VAC	250 VAC	LIFE CYCLES
AMPERES			
5.0	2.0	1.0	100,000
5.5	3.0	1.5	50,000
6.0	4.0	2.0	25,000
6.5	5.0	2.5	10,000
7.0	6.0	3.0	5,000

DIELECTRIC STRENGTH
TERMINAL TO CASE: ----- 1250 VOLTS, RMS, 60 CYCLES FOR 1 MINUTE

NOTE: *
FOR ORDERING PRODUCTION QUANTITIES TWO DASH NUMBERS ARE NECESSARY, THE SECOND DASH NO. WILL BE ASSIGNED WHEN OPERATING CHARACTERISTICS AND DESIGN DETAILS ARE ESTABLISHED.

FOR REFERENCE ONLY, CHECK LATEST REVISION BEFORE USE. PARTS MADE TO THIS PRINT MUST CONFORM TO E9898 REV. E				529 PLEASANT STREET P.O. BOX 2964 ATTLEBORO, MA 02703	
DRAWN C.F. FLEURANT DATE 30-NOV-1995	SENSATA TECHNOLOGIES PROPRIETARY AND CONFIDENTIAL. NEITHER THIS PRINT NOR THE INFORMATION CONTAINED HEREON IS TO BE USED AGAINST THE INTERESTS OF SENSATA TECHNOLOGIES OR AGAINST THE INTERESTS OF ANY OF ITS AFFILIATED COMPANIES OR WHOLLY OWNED SUBSIDIARIES.		TITLE 11041-13 THERMOSTAT SPST AUTO.RESET SEALED ENVELOPE DRAWING		
ENGINEER S.B. MARQUIS DATE 30-NOV-1995	INTERPRET DIMENSIONING AND TOLERANCING PER ASME Y14.5-2009. UNLESS OTHERWISE SPECIFIED DIMENSIONS ARE IN INCHES. TOLERANCES DECIMALS ANGLES		SIZE B	DWG NO. 11041-13	REV. D
APPROVED	DO NOT SCALE DRAWING	THIRD ANGLE PROJECTION	SCALE 1:1	AUTOCAD	SHEET 1 OF 1
DATE	DATE	DEVICE:	PROJECT: 256A	1	