

4

3

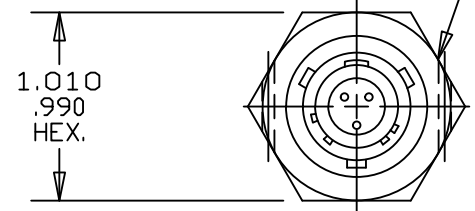
2

1

ZONE	REV.	REVISION DESCRIPTION	ECN NO.	DATE
	D	ADDED "END SURFACES OF BAYONET PINS SHALL BE MARKED BLUE, ORANGE, OR YELLOW"; DT	ECO-151952	06-MAR-2017

Property of  
Sensata Technologies

CODE KLIXON<sup>®</sup>  
MADE IN U.S.A.  
AND PART NO.

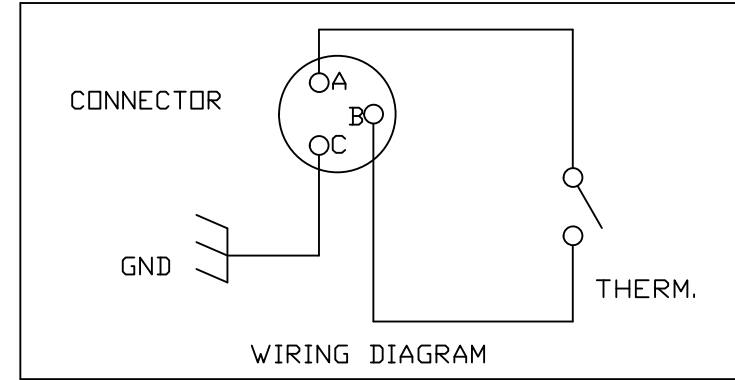
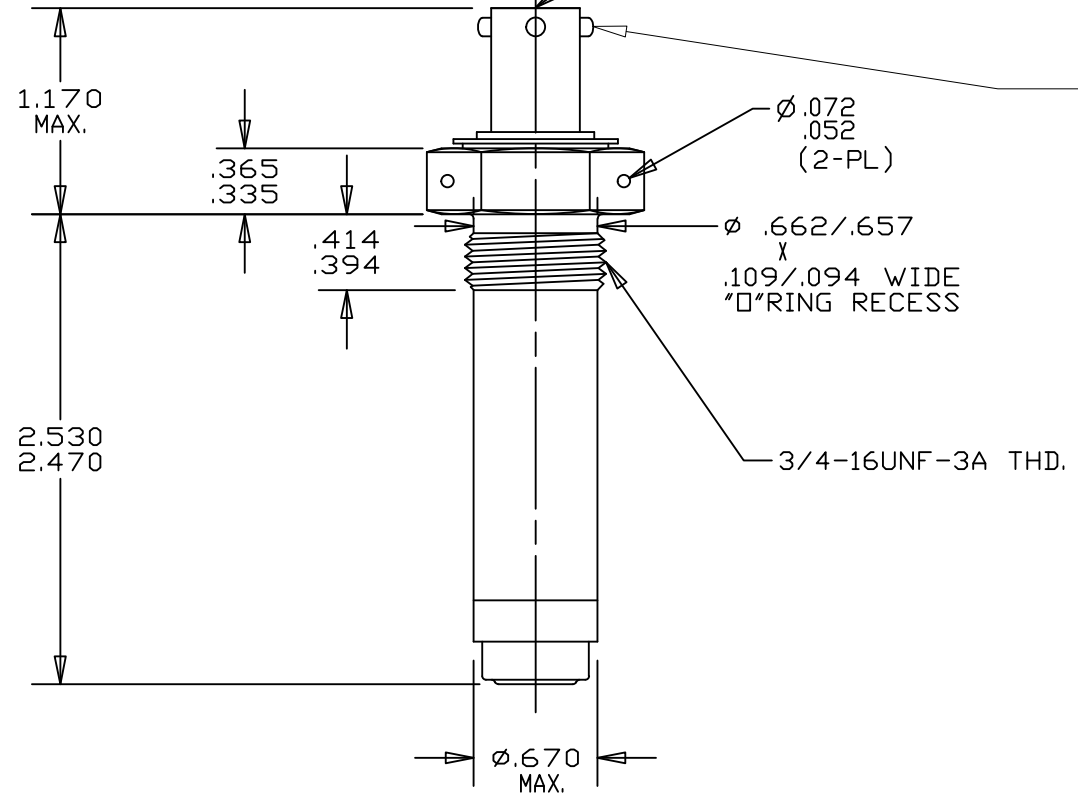


CHARACTERISTICS

- 1. OPERATING TEMPERATURE: ----- OPEN: 75°F. ±5°F.  
CLOSE: 95°F. ±5°F.
- 2. BASIC THERMOSTAT: ----- 11041 TYPE
- 3. MATERIAL: ----- #300 SERIES STAINLESS STEEL
- 4. DIELECTRIC: ----- 1250 V RMS FOR 1 MINUTE BETWEEN  
TERMINALS "A", "B" AND CASE

SEALTRON CONNECTOR  
B9702-9-98P-F-M9 OR  
EQUAL DESIGN  
TO MIL-C-38999  
MATES WITH  
MS27467T9B98S

END SURFACES OF  
BAYONET PINS SHALL  
BE MARKED BLUE,  
ORANGE, OR YELLOW.



FOR REFERENCE ONLY, CHECK LATEST REVISION BEFORE USE. PARTS MADE TO THIS PRINT MUST CONFORM TO E9898 REV. E	
DRAWN M. FONTES DATE 23-JUNE-1998 ENGINEER S. MARQUIS DATE 23-JUNE-1998 APPROVED M. LILLEY DATE 23-JUNE-1998 APPROVED J. JESSOP DATE 23-JUNE-1998	SENSATA TECHNOLOGIES PROPRIETARY AND CONFIDENTIAL. NEITHER THIS PRINT NOR THE INFORMATION CONTAINED HEREON IS TO BE USED AGAINST THE INTERESTS OF SENSATA TECHNOLOGIES OR AGAINST THE INTERESTS OF ANY OF ITS AFFILIATED COMPANIES OR WHOLLY OWNED SUBSIDIARIES. INTERPRET DIMENSIONING AND TOLERANCING PER ASME Y14.5-2009. UNLESS OTHERWISE SPECIFIED DIMENSIONS ARE IN INCHES. TOLERANCES DECIMALS      ANGLES DO NOT SCALE DRAWING THIRD ANGLE PROJECTION

529 PLEASANT STREET  
P.O. BOX 2964  
ATTLEBORO, MA 02703

**Sensata Technologies**

TITLE  
THERMAL SWITCH PACKAGE  
ENVELOPE DRAWING

SIZE B	DWG NO. 26219-18	REV. D
-----------	---------------------	-----------

SCALE 1:1    AUTOCAD    SHEET 1 OF 1

4

3

2

1

DEVICE:

PROJECT: 1063