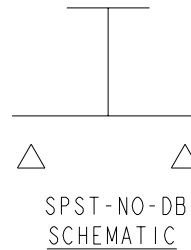


CHARACTERISTICS

ELECTRICAL:

RATINGS:	SEA LEVEL		50,000 FT.
LOAD	28VDC	115VDC	28 VDC
RESISTIVE	10 AMPS	10 AMPS	_____
INDUCTIVE	5 AMPS	5 AMPS	5 AMPS
LAMP	3 AMPS	3 AMPS	_____
DWV	1050 VRMS		400 VRMS



ELECTRICAL LIFE: 25,000 CYCLES AT FULL LOAD.

MECHANICAL:

TOTAL TRAVEL: .085±.015 X
 OVERTRAVEL: .012 MIN. B
 RESET TRAVEL: .012 MIN.
 MOVEMENT DIFFERENTIAL: .015 MIN. X
 OPERATING FORCE: 4 LBS.±1 LB.
 RESET FORCE: 1 LB. MIN.
 MECHANICAL LIFE: 250,000 CYCLES

PHYSICAL:

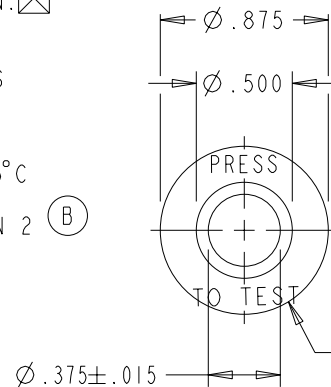
TEMPERATURE RANGE: -55°C TO +85°C
 ENCLOSURE DESIGN: DUSTTIGHT,
 PER MIL-S-8805, DESIGN 2 B
 BUTTON: NYLON, BLACK
 CASE: BLACK ANODIZED,
 ALUMINUM ALLOY

MARK: OTTO,21649,
 P1-30120
 DATE CODE (YYWW) B

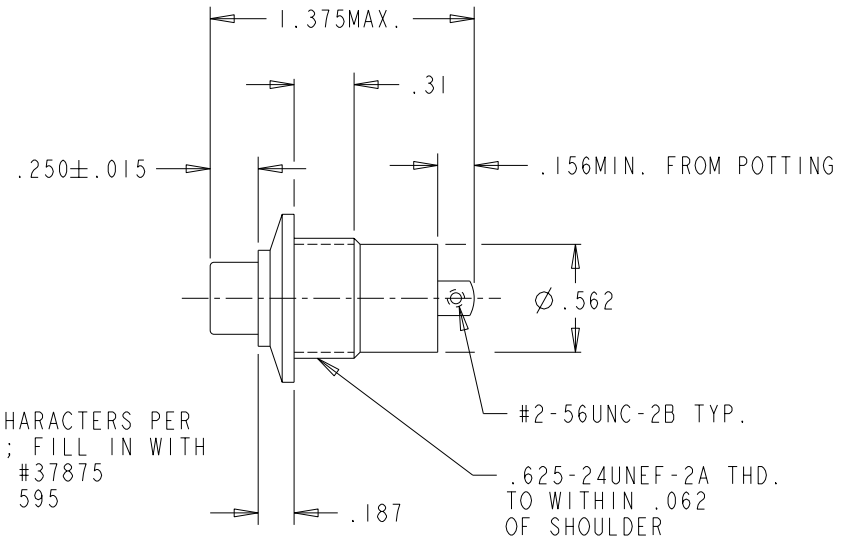
NOTES:

MOUNTING HARDWARE:
 HEX NUT & LOCKWASHER

TERMINAL HARDWARE:
 TERMINAL LUG, SCREW &
 SPLIT LOCKWASHER



.094 HIGH CHARACTERS PER MIL-M-13231; FILL IN WITH WHITE PAINT #37875 PER FED STD 595



P1-30120

LET	OCN #	DATE	APR
A	941506	25 APR 94	RG
B	000823	27 APR 99	GP

MINOR MAJOR CRITICAL SPC CRITICAL

UNLESS OTHERWISE SPECIFIED:
 DIMENSIONS ARE IN INCHES.
 TOLERANCES ARE AS LISTED.
 MUST BE FREE FROM BURRS
 AND SHARP EDGES.

TOLERANCES
 .XX ±.03
 .XXX ±.010
 ANGLES ±2°
 DO NOT SCALE DRAWING.
 THIRD ANGLE PROJECTION

OTTO CONTROLS
 DIVISION OF
 OTTO ENGINEERING INC.
 CARPENTERSVILLE, ILLINOIS USA

PART NAME
 "C" CASE
 PUSHBUTTON SWITCH

THIS DOCUMENT IS THE CONFIDENTIAL PROPERTY OF OTTO ENGINEERING, INC.. IT IS PROVIDED ON A RESTRICTED BASIS AND IS NOT TO BE USED IN ANY WAY DETRIMENTAL TO THE INTERESTS OF OTTO ENGINEERING, INC..

DRWN. KA	SIZE	FSCM NO	DRAWING NO.	REV.
CHKD. HR	A	21649	P1-30120	B
APPD. RG				
DATE 03 NOV 93	WT.	SCALE 1:1	SHEET 1 OF 1	