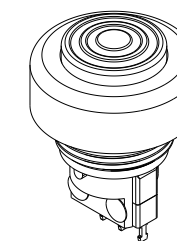


NOTES: (C)

1. DRAWING TO BE INTERPRETED IN ACCORDANCE WITH THE CURRENT REVISION OF ASME Y14.5
2. TSI TO BE INTERPRETED AS THEORETICAL SHARP INTERSECTION.
3. THIS PART IS TO BE MANUFACTURED IN ACCORDANCE WITH THE LATEST APPLICABLE REGULATIONS OF EC DIRECTIVES FOR THE RESTRICTION OF THE USE OF HAZARDOUS SUBSTANCES IN ELECTRICAL AND ELECTRONIC EQUIPMENT (ROHS), WASTE ELECTRICAL AND ELECTRONIC EQUIPMENT (WEEE) AND REGISTRATION, EVALUATION, AUTHORIZATION AND RESTRICTION OF CHEMICALS (REACH).

P4-10129

REV	OCN #	DATE	APR
A	984128	06 OCT 98	TAO
B	044227	18 JUL 08	TAO
C	088442	08 NOV 17	TAO



SCALE 1:1

CHARACTERISTICS

ELECTRICAL: (C)

RATINGS: SEA LEVEL, 28 VDC - 115 VAC	
LOAD	2 CIRCUIT
	FORM C
RESISTIVE	5 AMPS
INDUCTIVE	2.5 AMPS
DWV	1050 VRMS

ELECTRICAL LIFE: 25,000 CYCLES (C)

MECHANICAL:

OPERATE FORCE: 2.5 LBS. MAX.  
 PRETRAVEL: .050 MAX.  
 OVERTRAVEL: .004 MIN.  
 MOVEMENT DIFF.: .010 MIN.  
 MECHANICAL LIFE: 50,000 CYCLES (C)

PHYSICAL:

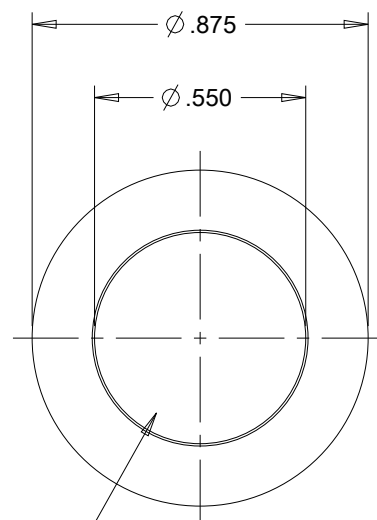
BUTTON: BLACK ANODIZED ALUMINUM ALLOY  
 W/LEMON DROP PAINTED OUTER RING  
 HOUSING: BLACK ANODIZED ALUMINUM ALLOY  
 ENCLOSURE DESIGN: ISO 20653, IP6K8S - DUSTTIGHT, (C)  
 CONTINUOUS IMMERSION,  
 1 METER FOR 31 MINUTES,  
 STATIONARY DURING TEST(S)  
 TEMPERATURE RANGE: -40° C TO +85° C (C)

MARKING:

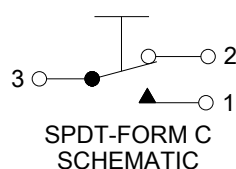
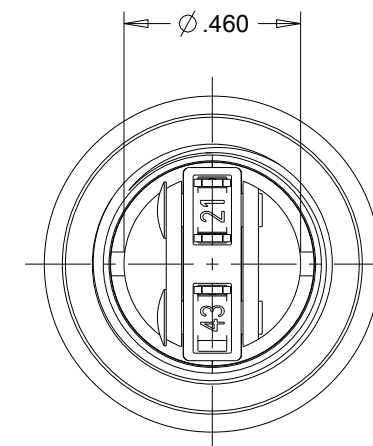
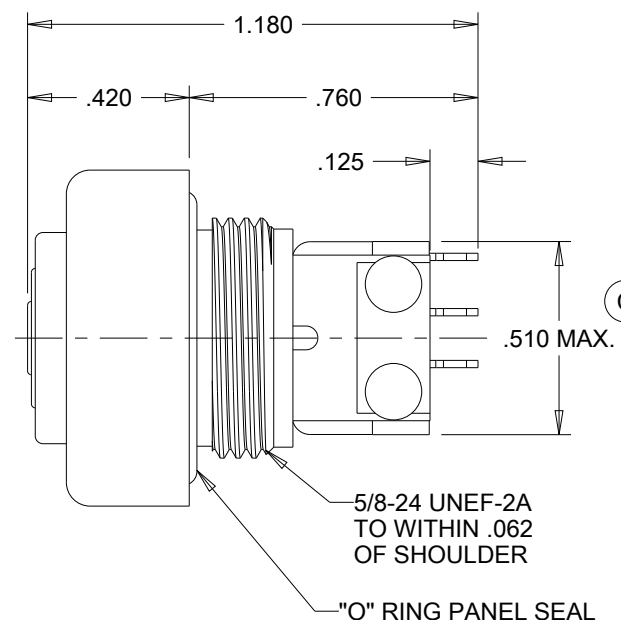
OTTO 21649  
 P4-10129,  
 & DATE CODE (YYWW)

MOUNTING HARDWARE: (C)

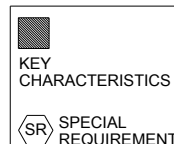
HEX NUT, INT. TOOTH LOCKWASHER AND  
 AND O-RING PANEL SEAL



PAINT RECESSED OUTER RING ONLY WITH ACE# 1967579 SOLVENT BASED ENAMEL COLOR; LEMON DROP (GLOSS)



UNLESS OTHERWISE SPECIFIED: DIMENSIONS ARE IN INCHES.  
 TOLERANCES:  
 .XX ±.03  
 .XXX ±.010  
 ANGLES ±2°  
 DO NOT SCALE



THIS DOCUMENT IS THE CONFIDENTIAL PROPERTY OF OTTO ENGINEERING, INC.. IT IS NOT TO BE USED IN ANY WAY DETRIMENTAL TO THE INTERESTS OF OTTO ENGINEERING, INC..

DESCRIPTION  
 P4, PUSHBUTTON SWITCH

DRWN. JFC	SIZE B	FSCM NO 21649	DRAWING NO. P4-10129	REV. C
CHKD. TAO				
APPD. SPM				