

MOMENTARY ACTION

The PE2 with solder termination is qualified under MIL-PRF-8805/99. The PE2 is a rugged sealed switch; it meets high shock and vibration requirements and is ideal for tough environments. A variety of button colors and easy panel mounting options are provided. The PE2 is a momentary 2 circuit, DPDT, and has a 2A resistive 1.5A inductive 28VDC/115VAC rating. Splashproof with panel seal dress ring per MIL-PRF-8805, symbol 6.

Features:

- MIL-PRF-8805/99 approved
- Momentary snap-action
- Black, white or red button colors available
- Splashproof
- RoHS & WEEE compliant



Standard Characteristics/Ratings:

ELECTRICAL RATINGS:

Load	Sea Level @ 28VDC or 115VAC, 60/400Hz	70,000 feet @ 28VDC or 115VAC, 60/400Hz
Resistive	2A	2A
Inductive	1.5A	1.5A
Lamp	0.5A	0.5A
DWV	1000Vrms	500Vrms

Electrical Life: 25,000 cycles at full load

Mechanical Life: 50,000 cycles

Seal: Splashproof with panel seal dress ring per MIL-PRF-8805, symbol 6

Operating Temp Range: -55°C to +85°C

Operating Force: 4.5 lbs. +/- 1.5 lbs.

Total Travel: 0.176 inches max

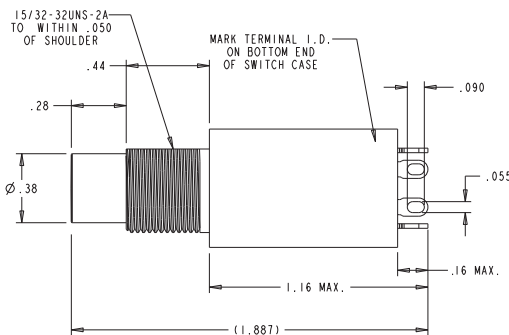
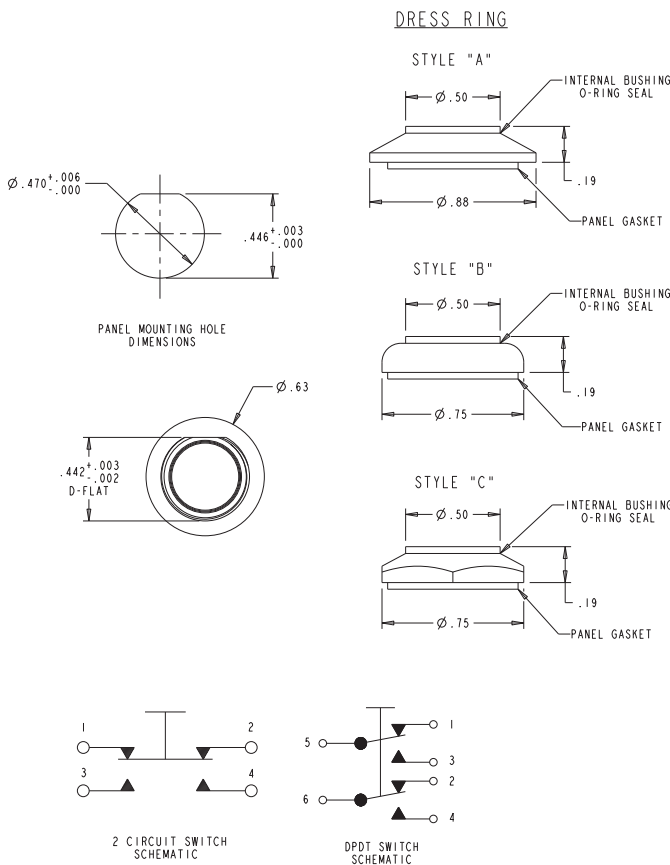
MATERIALS:

Case: Anodized aluminum alloy, black

Button: Thermoplastic

Terminals: Brass, silver plate

Mounting Hardware: Hex nut, lockwasher, keying washer, dress ring with O-ring seal, panel gasket when applicable



PE2 PART NUMBER CODE

