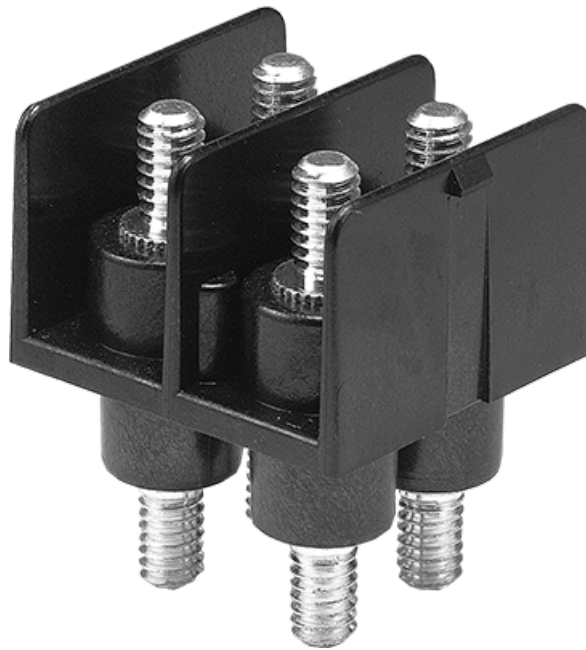


Search By Catalog Number

[Home](#) > [Terminal Blocks](#) > ST722, ST715, and ST723 Series - Studded Power Feed Thru

# ST722, ST715, and ST723 Series - Studded Power Feed Thru Terminal Blocks

**ST722B2502**

## ST722 Series

### Electrical

- 300 volts AC/DC (UL)
- 115 - 175 amps
- Wire range is determined by the compression lugs used. Typically accepts 2/0 - #8 AWG lug sizes.
- Short circuit current rating (SCCR) of 10K
- Factory and field wiring

### General Specifications

- Base - black thermoplastic
- Studs - brass, nickel-plated
- Insulator temp-rating: 125°C (257°F) - UL RT1
- Flammability, UL 94 V-0
- Mounting: panel mountable (back or end)
- .73" centers (pole-to-pole)
- Accommodates two hole compression lugs with .625" centers and a max width of .64"
- Application torque: 35 lbf-in for #10 - 32 and M5, 50 lbf-in for #10 - 32 and M5, 50 lbf-in for 1/4" - 20 and M6

## Standards

- See datasheets for product specific approvals listed
- UL recognized file no. XCFR2.E62806 (UL 1059)
- CSA certified file no. LR19766 (CSA C22-2 No. 158)
- CE (component IEC 60947-7-1)
- RoHS compliant

## Ordering Code:

Series	Mounting Styles	Thread Size	Number of Poles	Terminal Options	Hardware Options	Datasheets
ST722	X	XX	XX			
	B = Back Mount E = End Mount	25 = 1/4 - 20 19 = #10 - 32 M6 = M6 M5 = M5	01 = 1 Pole 02 = 2 Pole 03 = 3 Pole 04 = 4 Pole 05 = 5 Pole 06 = 6 Pole	Blank = Studs Top & Bot. T1 = Tap Top, Stud Bot. T1S = Stud Top, Tap Bot. T2 = Tap Top & Bot.	Blank - No hardware UH - All nuts shipped bulk AH - All nuts assembled DL - Assembled barrier side, remainder shipped bulk	<a href="#">ST722B19XX</a> <a href="#">ST722B25XX</a> <a href="#">ST722BM5XX</a> <a href="#">ST722BM6XX</a> <a href="#">ST722E25XX</a> <a href="#">ST722EM6XX</a>

## ST722 Series - Studded Feed Thru

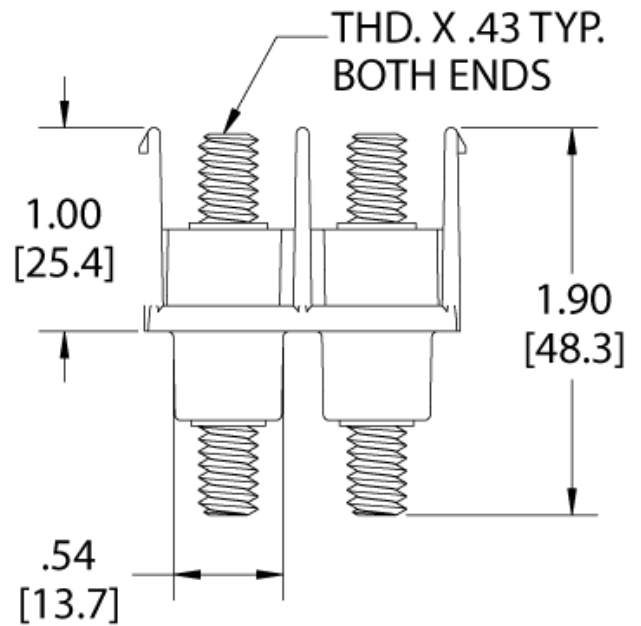
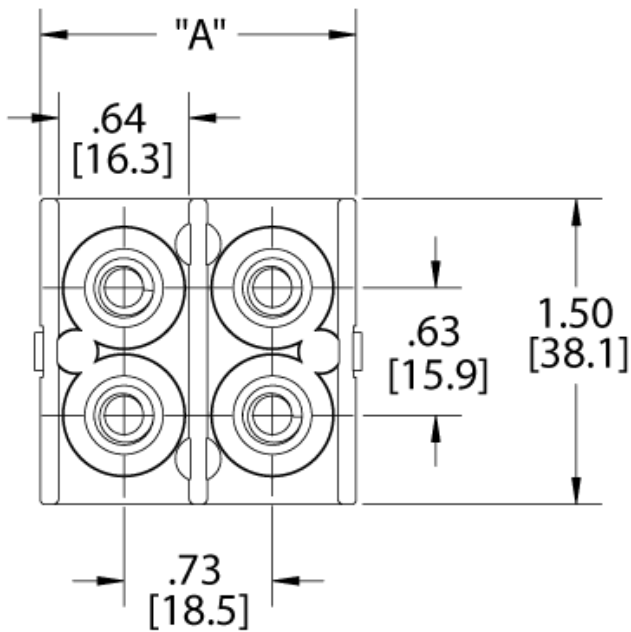
Series	Amp Rating	Mounting Style	Poles Available	Terminal Description	Agency Compliance
ST722Bxxxx	175	Back	2 to 6	Studs Top & Bottom	UL Recognized CSA Certified CE Compliant
ST722BxxxxT1	115	Back	2 to 6	Tap Top, Stud Bottom	UL Recognized cUL Recognized CE Compliant
ST722BxxxxT1S	115	Back	2 to 6	Stud Top, Tap Bottom	UL Recognized cUL Recognized CE Compliant
ST722BxxxxT2	115	Back	2 to 6	Tap Top & Bottom	UL Recognized cUL Recognized CE Compliant
ST722Exxxx	175	End	1 to 6	Studs Top & Bottom	UL Recognized CSA Certified CE Compliant
ST722ExxxxT1	115	End	1 to 6	Tap Top, Stud Bottom	UL Recognized cUL Recognized CE Compliant
ST722ExxxxT1S	115	End	1 to 6	Stud Top, Tap Bottom	UL Recognized cUL Recognized CE Compliant
ST722ExxxxT2	115	End	1 to 6	Tap Top & Bottom	UL Recognized cUL Recognized CE Compliant

## ST722 Series Dimensions

Catalog #	Number of Poles	Dimensions	
		A	B
ST722Bxx02	2	1.55	N/A
ST722Bxx03	3	2.28	N/A
ST722Bxx04	4	3.01	N/A
ST722Bxx05	5	3.74	N/A
ST722Bxx06	6	4.47	N/A
ST722Exx01	1	1.32	1.77
ST722Exx02	2	2.05	2.50
ST722Exx03	3	2.78	3.23
ST722Exx04	4	3.51	3.96
ST722Exx05	5	4.24	4.69
ST722Exx06	6	4.97	5.42



**ST722E**



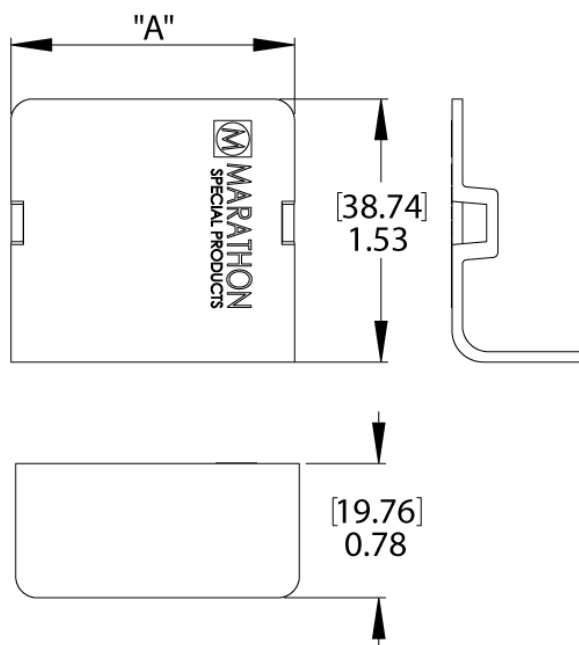
**ST722B**

**Cover Available**



- Covers fit all styles available
- Base - Thermoplastic
- Flammability UL 94 V-0

Catalog Number	Poles	Dimension A
C72201	1	.91
C72202	2	1.64
C72203	3	2.37
C72204	4	3.10
C72205	5	3.83
C72206	6	4.56



## ST715 Series

### Electrical

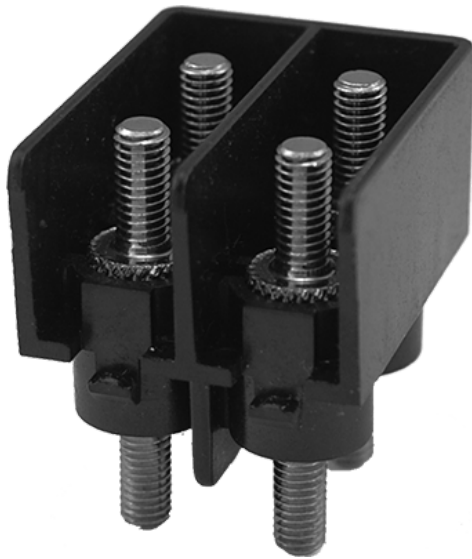
- 300 volts AC/DC (UL 1059 Class B and C)
- 80 amps
- Wire range is determined by the compression lugs used. Typically accepts #6 - #14 lug sizes

**Standards**

- UI recognized file no. XCFR2.E62806
- cURus recognized file no. XCFR8.E62806
- CE (component IEC 60947-7-1)
- RoHS compliant

**General Specifications**

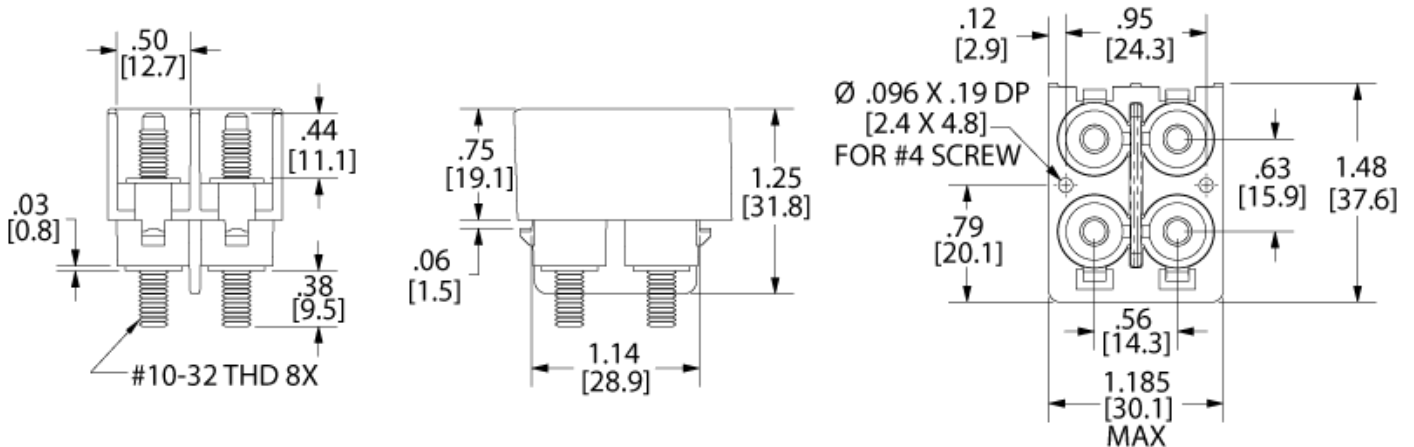
- Base - black thermoplastic
- #10 - #32 studs - brass, nickel-plated
- Insulator temp-rating: 125°C (257°F) - UL RT1
- Flammability, UL 94 V-0
- Mounting: panel mountable (back or slide options)
- 2 pole at .56" center (pole-to-pole)
- Application torque: 35 lbf-in
- Accomodates two hole compression lugs on .625" centers and a max width of .50"



**ST715S1902**

**Ordering Code**

Series	Hardware Options
ST715S1902	Blank - No hardware
	UH - All nuts shipped bulk
	AH- All nuts assembled
	DL - Assembled barrier side, remainder shipped bulk



**ST723 Series**

## Electrical

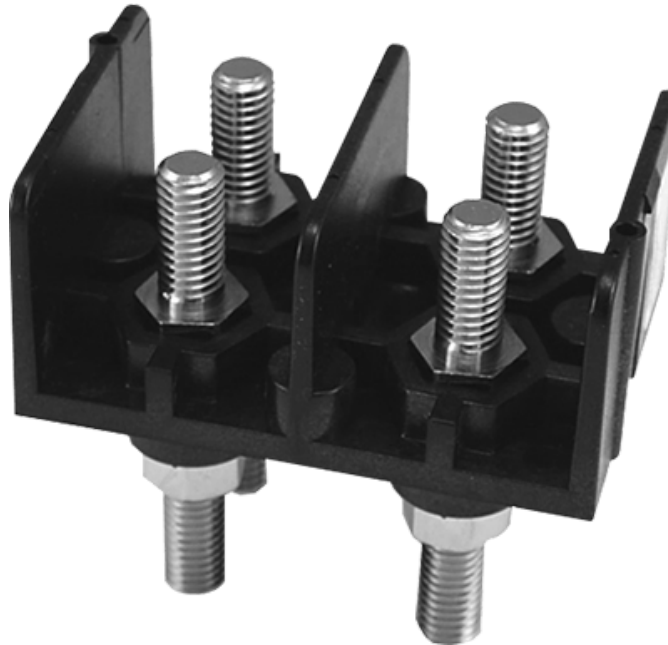
- 600 volts AC/DC
- 380 amps
- Short circuit current rating (SCCR) of 10K
- Wire range is determined by the compression lugs used. Typically accepts 500 kcmil - 2/0 AWG lug sizes

## Standards

- UL recognized file no. XCFR2.E62806
- cURus recognized file no. XCFR8.E62806
- RoHS compliant

## General Specifications

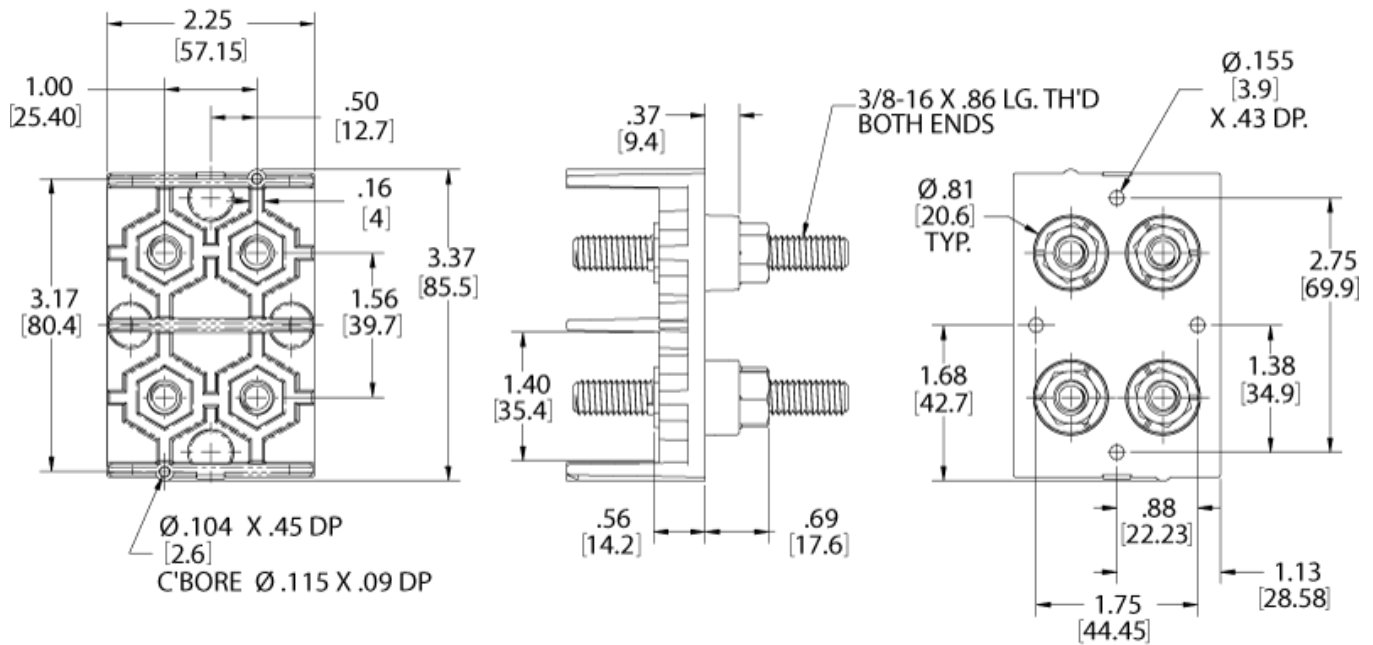
- Base - black thermoplastic
- Studs - brass, nickel-plated
- Insulator temp-rating: 125°C (257°F) - UL RTI
- Flammability, UL 94 V-0
- Mounting: panel mountable (back mount only)
- 1.56" centers (pole-to-pole)
- Application torque: 192 lbf-in
- Accommodates two hole compression lugs with 1.00" centers and a max width of 1.40"



**ST723B3802**

## Ordering Code

Series	Number of Poles	Hardware Options
ST715S1902	XX	
	01 = 1 Pole 02 = 2 Pole	Blank - No hardware UH - All nuts shipped bulk AH- All nuts assembled DL - Assembled barrier side, remainder shipped bulk



## CONTACT

Marathon Special Products  
 427 Van Camp Road  
 P.O. Box 468  
 Bowling Green, Ohio 43402

tel: 419-352-8441  
 fax: 419-352-0875  
 email: [marketing@marathonsp.com](mailto:marketing@marathonsp.com)

## CUSTOMER SERVICE HOURS

Mon-Fri 8am-5pm EST

## LINKS

[About Us](#)

[Contact Us](#)

[Terms & Conditions](#)

[Locate a Distributor](#)

## ABOUT

Marathon Special Products is an industry leader for supplying power blocks, terminal blocks, and fuse holders in North America. We've achieved this by providing one of the broadest line offerings with various sizes, terminal styles, electrical ratings and features.

**REGAL**

