



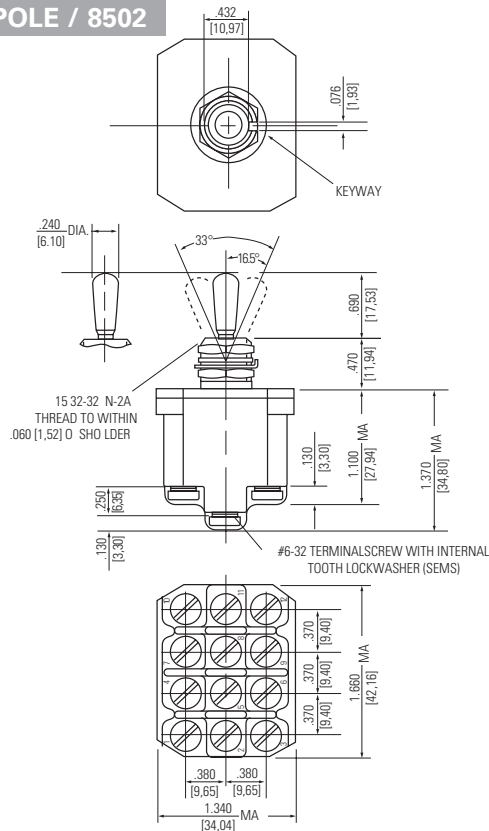


# MILITARY - ENVIRONMENTALLY SEALED SWITCHES

## Series - 8500, 8501, 8502

# MIL-DTL-3950 Toggle Switches

### MOUNTING DIMENSIONS - FOUR POLE / 8502



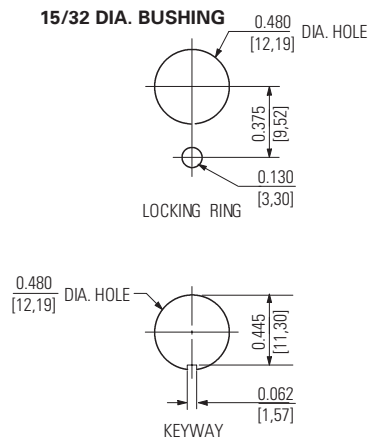
### Terminal Identification

Non-functional terminals not supplied.

### OPTIONS/ACCESSORIES

- Special mounting hardware
- Mounting hardware furnished assembled
- Terminal screws furnished assembled
- Special circuits
- Panel seal, part number 32-341 (See Accessories and Custom Components section)
- Special "3 Cateye" luminous lever attachment
- Lever extensions and attachable tips (See Accessories and Custom Components section)
- Custom wiring harnesses

### PANEL CUTOUT



**STANDARD**  
0.00 = inches  
[0,0] = mm

Mounting dimensions for reference only.