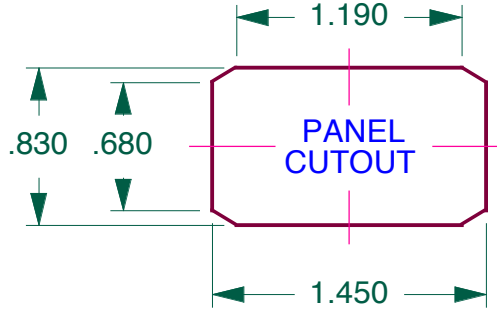
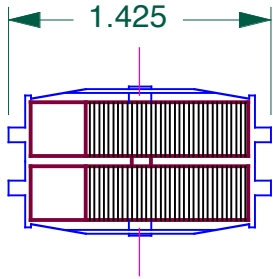
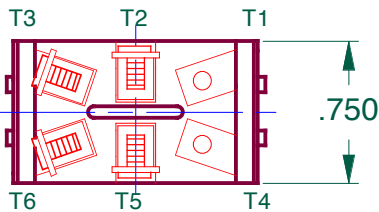
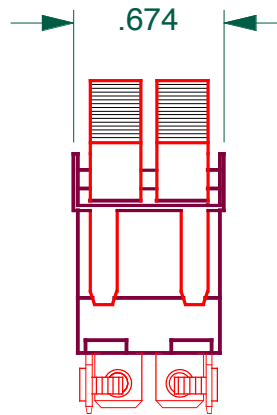
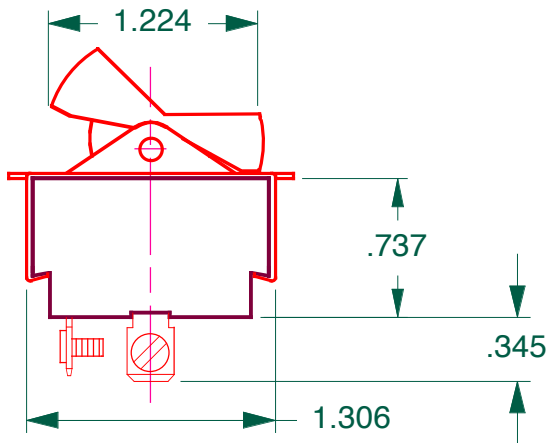


DO NOT SCALE DRAWING WORK TO FIGURE



POS 3 POS 2 POS 1



DWG NO. TIGK724-2C-D-WH-XCE1		REV. —
LET	REVISIONS	DATE

RATING:

OPERATION:

<u>POS 1</u>	<u>POS 2</u>	<u>POS 3</u>
ON	NONE	OFF
2 TO 3		
5 TO 6		

- NOTES:
- 2 INDEPENDENT ROCKERS ARE CROSS LINED WHITE NYLON
 - F/SUB BRACKET ONLY
 - SCREW TERMINALS AT T2, 3 & 6
 - USE SILVER CAD OXIDE CONTACTS

DIMENSIONS SUBJECT TO CHANGE WITHOUT NOTICE

FINISH	
TOOL NO.	REV
DR BY JHL	DATE 10-14-97
CHK BY	DATE
APPD BY	DATE

CARLINGSWITCH, INC.
PLAINVILLE, CT

TITLE TIPPETTE SWITCH		REV. —
SIZE A	DWG NO. TIGK724-2C-D-WH-XCE1	
USED ON	SCALE: NONE	SHT OF 1 1

PROPRIETARY NOTE:

NOTICE TO ALL PERSONS RECEIVING THIS DRAWING. THIS DOCUMENT IS THE PROPERTY OF CARLINGSWITCH, INC. AND IS NOT TO BE DISCLOSED, REPRODUCED IN WHOLE OR IN PART OR USED FOR MANUFACTURING PURPOSES BY ANYONE WITHOUT THE CONSENT OF CARLINGSWITCH, INC.

UNSPECIFIED TOLERANCES

FRAC. $\pm 1/64$ X.XXX $\pm .015$
ANGLES $\pm 1^\circ$

PROJECTIONS



DIMENSIONS
IN [mm]