

Technical Data

Construction

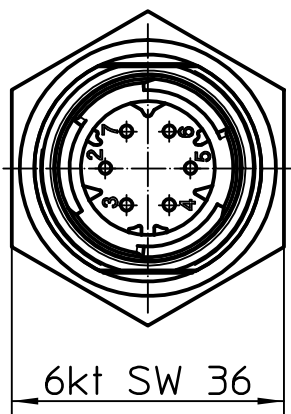
Socket material PA black
 Button material PA black
 Protection interior IP6K9K IEC 60529
 connector IP00 IEC 60529
 Max. torque max. 8 Nm
 Weight 30g

Mechanical Data

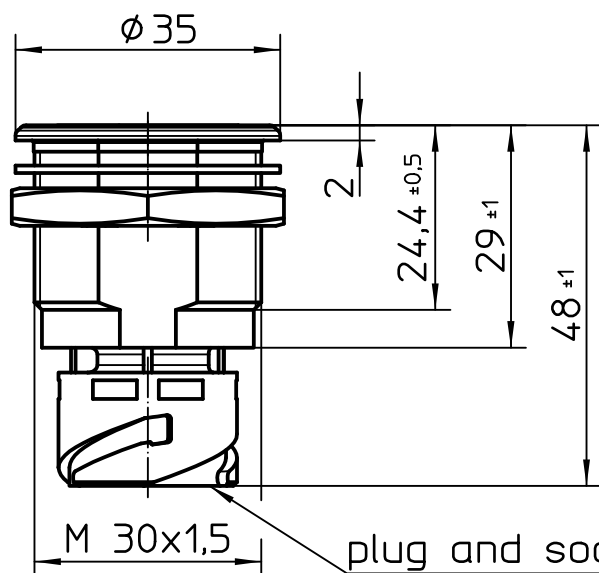
Pre travel 1,5±0,5mm
 Total travel 2,5±0,5mm
 Operating force 30 to 45N
 Current carrying parts Cu-alloy
 Contact material Ag-alloy
 Mechanical life 100 000 cycles
 Temperature Range -40°C to +90°C

Electrical Data

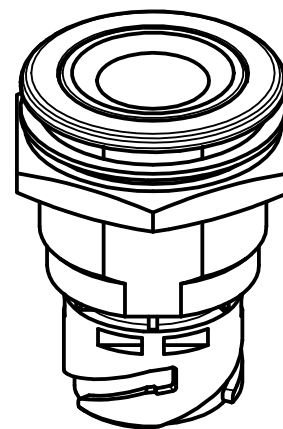
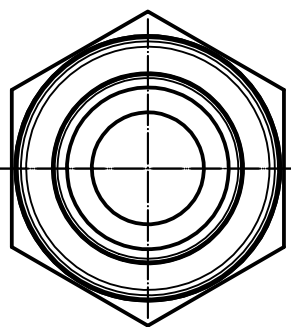
Voltage Range 9VDC to 32VDC
 Electrical load 10mA to 5A



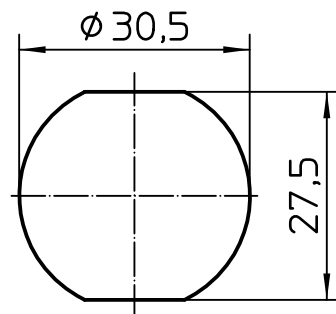
6kt SW 36



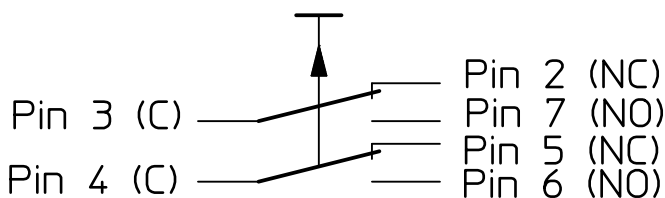
plug and socket device
 6-pol in accordance to
 DIN 72585 / ISO 15170



Mounting Dimensions

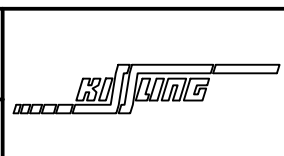


Circuit Diagram



| | | |
|-------|------------|-------|
| | Date | Name |
| Drawn | 18.10.2013 | Azubi |
| Check | 22.10.2013 | Drech |

| | |
|--------------------|-------|
| mm | Scale |
| | 1:1 |
| General Tolerances | |



| | |
|-------------|-----------------|
| Drawing No: | TS-221-SW11 908 |
| NSN.: | |