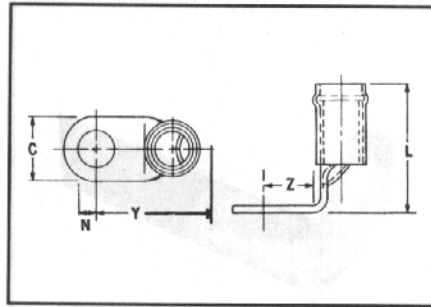


TYPES YAEV-RS

INSULUG™

RIGHT-ANGLE TERMINALS

NYLON-INSULATED



B-24

Factory formed right angle INSULUG™ connectors made of seamless pure copper tubing. These rugged terminals withstand the most severe applications. Inspection hole in barrel permits visual check of wire insertion. Meets requirements of MIL-T-7928.

CATALOG NUMBER	WIRE SIZE	STUD SIZE	N	C	Z MIN.	Y MAX.	L MAX.	INSTALLATION TOOLING			LENGTH
								HYTOOL	HYPRESS Y29NC		
									NEST	INDENTOR	
YAEV8C-RS	8	8-10	.20	.41	.25	.82	1.25	A	DEV8L	Y29PLE-1	7/16"
YAEV8C-RS1	Max. Insul. Dia.: .258" Sleeve Color: Red	1/4	.25	.41	.28	.84	1.25				7/16"
YAEV6C-RS1	6	8-10	.25	.50	.28	.88	1.28	B	DEV6L	Y29PLE-1	1/2"
YAEV6C-RS	Max. Insul. Dia.: .313" Sleeve Color: Blue	1/4	.25	.50	.28	.88	1.20				1/2"
YAEV4C-RS	4	1/4	.25	.53	.28	.95	1.28	C	DEV4L	Y29PLE	1/2"
YAEV4C-RS2	Max. Insul. Dia.: .374" Sleeve Color: Yellow	3/8	.31	.62	.34	1.02	1.28				1/2"
YAEV2C-RS1	2	1/4	.33	.68	.34	1.13	1.62	D	DEV2L	Y29PLE	5/8"
YAEV2C-RS	Max. Insul. Dia.: .459" Sleeve Color: Red	3/8	.33	.68	.34	1.13	1.62				5/8"
YAEV1C-RS2	1	5/16	.33	.73	.34	1.22	1.65	E	DEV26L	Y29PLE	5/8"
YAEV1C-RS	Max. Insul. Dia.: .516" Sleeve Color: White	3/8	.33	.73	.34	1.22	1.65				5/8"
YAEV25-RS	1/0	3/8	.39	.81	.43	1.46	1.88	F	DEV25L	Y29PLE	11/16"
YAEV26-RS	2/0	3/8	.39	.92	.47	1.48	2.06	G	DEV26	Y29PLE	13/16"

A	B	C	D	E	F	G
Ratchet: M8ND with N8CET-2 Die Non-Ratchet: MY28-6†† Hydraulic: Y35, Y39 with U6CET Die Set	Non-Ratchet: MY28-6†† Hydraulic: Y35, Y39 with U6CET Die Set	Non-Ratchet: MY28-6†† Hydraulic: Y35, Y39 with U4CET Die Set	Non-Ratchet: MY28-6†† Hydraulic: Y35, Y39 with U2CET Die Set	Non-Ratchet: MY28-6†† Hydraulic: Y35, Y39 with U1CET Die Set	Non-Ratchet: MY28-6†† Hydraulic: Y35, Y39 with U25ET Die Set	Non-Ratchet: MY28-6†† Hydraulic: Y35, Y39 with U26ET Die Set

†† BMY BNCH-MT bench mount adapter available.